

HEATSTRIP[®]



Product & Assembly Manual



HEATSTRIP[®] *Intense* Portable Electric
Heater
Model THY2200P

Ph: 03 9562 3455 | E: sales@thermofilm.com.au

www.heatstrip.com.au



Contents

Product Overview	3
Specifications	3
Product Features & Benefits	3
Installation Requirements	4
Parts List	4
Product Parts Diagram	5
Hardware Pack & Tools Required	6
Assembly Instructions	7
Electric Heater Assembly Instructions	7-9
Maintenance and Safety	10
Replacement Parts	10
Warranty	11

For repairs or replacement parts, please contact:
Thermofilm Australia Pty Ltd
8 Lakeview Drive Scoresby, Victoria 3179, Australia
Telephone: (03) 9562 3455
9:00am-5:00pm Mon-Fri (EST)
Email: sales@thermofilm.com.au

To obtain the correct replacement parts for your electric radiant heater, please refer to the part numbers in this parts list. The following information is required to ensure you receive the correct parts:

1. Model and Serial Number (see label on the heater)
2. Part Number
3. Part Description
4. Quantity of parts needed

Important: Use only Thermofilm replacement parts. The use of any part that is not a Thermofilm replacement part can be dangerous and void your product warranty. Keep this Instruction Manual for convenient referral and for parts replacement.



Specifications - Australia

MODEL	POWER (WATTS)	CURRENT (AMPS)	DIMENSIONS (mm)	WEIGHT (Kg)	LEAD LENGTH (mm)	PLUG
THY2200P	2200	9.2	1068(W) x 2050(H) x 500(D)	20	3000	Yes

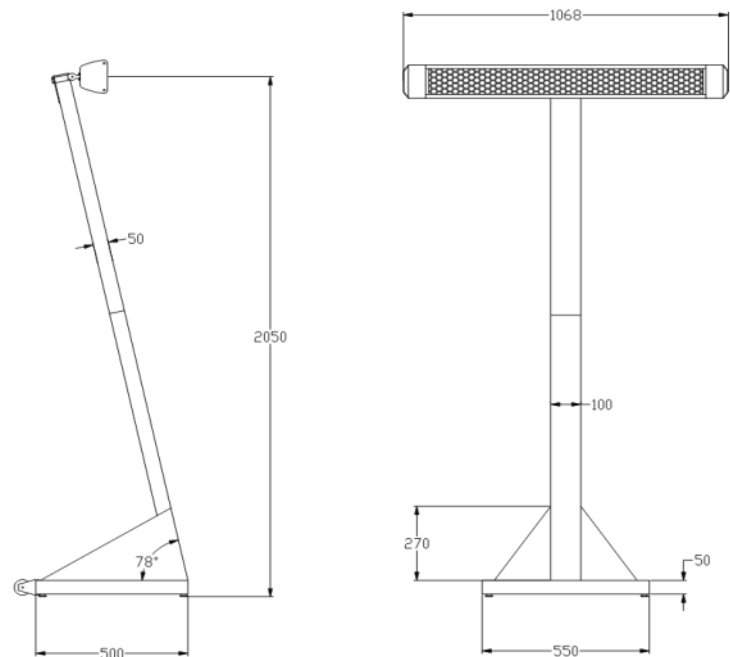
HEATER TYPE	High intensity electric radiant heater with carbon filament element.
POWER	230-240 Volts Nominal at 50—60 Hertz, Single Phase
CONNECTION	3 Core Cable 2.5mm ²
APPROVALS	AUSTRALIA/NZ
PROTECTION RATING	IPX5 Protection from water ingress from all directions
MATERIAL OF CONSTRUCTION	Heater: Black anodized alloy casing & endcaps, powder coated grille Stand: Powder coated mild steel

Features & Benefits

- Stylish, high quality portable, free-standing outdoor heater stand
- Ideal for alfresco areas, balconies, apartments & hospitality (internal & external use)
- High Temperature Output
- All black construction with attractive hexagonal shaped grille
- Instantaneous Heat
- Infrared Carbon Filament Element
- Concealed power cable ensures a sleek appearance
- Components are sub-assembled for easy DIY installation
- In-built wheels for easy portability, perfect for residential and commercial applications
- Corrosion protected for even the toughest environments
- 2 year residential and 1 year commercial warranty

Tips

- If an extension lead is required, use one as short as possible, as a long lead may result in performance loss
- Locate the heater as close to the power point as possible
- This portable heater is for spot heating only. Locate as close to the area you want to heat as possible (e.g Table)
- Store under cover at all times



Heating Area

MODEL	INDOOR PROTECTED (m ²)	OUTDOOR ENCLOSED (m ²)	OUTDOOR EXPOSED (m ²)
THY2200P	14	9	5

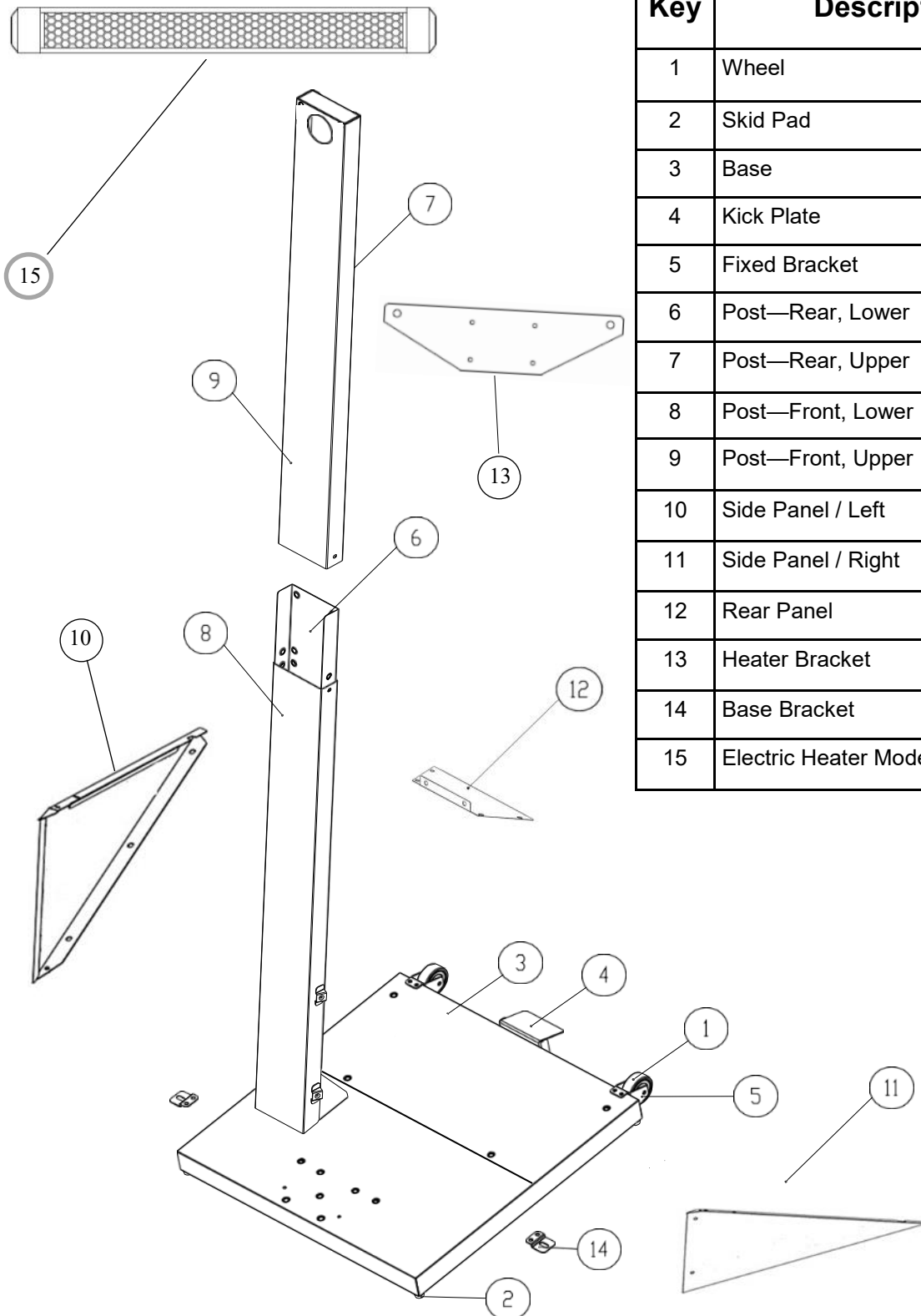
Parts List of THY2200P

Key	Description	QTY
1	Wheel	2
2	Skid Pad	4
3	Base	2
4	Kick Plate	1
5	Fixed Bracket	2
6	Post - Rear, Lower	1
7	Post - Rear, Upper	1
8	Post - Front, Lower	1
9	Post - Front, Upper	1
10	Side Panel / Left	1
11	Side Panel / Right	1
12	Rear Panel	1
13	Heater Bracket	1
14	Base Bracket	2
15	Electric Heater, 2200W	1





Parts Diagram



Key	Description
1	Wheel
2	Skid Pad
3	Base
4	Kick Plate
5	Fixed Bracket
6	Post—Rear, Lower
7	Post—Rear, Upper
8	Post—Front, Lower
9	Post—Front, Upper
10	Side Panel / Left
11	Side Panel / Right
12	Rear Panel
13	Heater Bracket
14	Base Bracket
15	Electric Heater Model THY2200



Hardware Pack For THY2200P

PART DESCRIPTION	QTY	PURPOSE OF PART
Hardware Pack	1	For use in assembly of THY2200P
Pan Head Screw M6 x 10mm	5	Connecting Base
Pan Head Screw M6 x 10mm	4	Install Base Brackets to Base
Pan Head Screw M6 x 10mm	3	Install Lower Post to Base
Pan Head Screw M6 x 10mm	3	Install Side Panels to Lower Post & Base
Pan Head Screw M6 x 10mm	3	
Pan Head Screw M6 x 10mm	2	Install Real panel to Side Panel & Lower Post
Pan Head Screw M6 x 10mm	4	
Pan Head Screw M6 x 10mm	4	Install Heater Bracket to Upper Post
Pan Head Screw M6 x 10mm	8	Install Upper Post to Lower Post
Screwdriver	1	
Pan Head Screw M6 x 10mm	3	Install Lower Post to Base

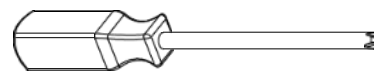
Hardware Diagram for THY2200P



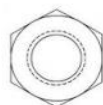
Pan Head Screw M6x10mm
QTY: 39



Flange Nut M6
QTY: 15



Phillips Head Screwdriver



Hexagon Nut M12
QTY: 2

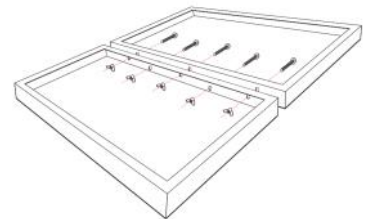


Assembly Instructions

CAUTION: To assemble this heater, you should obtain assistance from another person when handling the larger, heavier pieces.

1 Joining Base

- Remove all the packing material and place on a non-abrasive surface.
- Position the Base as shown in the diagram.
- Once the slotted holes are aligned, use 5 Pan Head screws then tighten securely with the nuts provided



Pan Head Screw M6x 10mm
QTY: 5

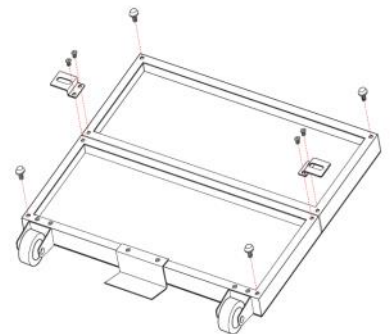


Flange Nut M6
QTY: 5

2 Install Base Brackets

- Install two Brackets to the Base using 4 Pan Head Screws (M6x10mm), once brackets are in place tighten all the screws securely.
- Adjustable Skid Pads will be provided. Screw Skid Pads on each corner as shown in the diagram.

Note: Base brackets can be concealed if angled inwards.



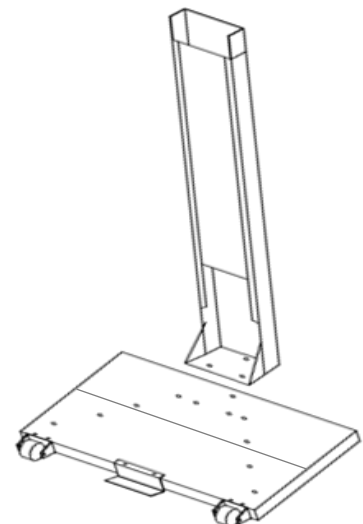
Pan Head Screw M6x 10mm
QTY: 4

3 Install Lower Post

- Attach the Lower Post to the Base by matching the slotted holes on the Lower Post into the screws on the Base. Next, attach 3 Pan Head Screws M6x10mm, then tighten all the screws securely



Pan Head Screw M6x 10mm
QTY: 3





Assembly Instructions

CAUTION: To assemble this heater, you should obtain assistance from another person when handling the larger, heavier pieces.

4 Install Side Panels

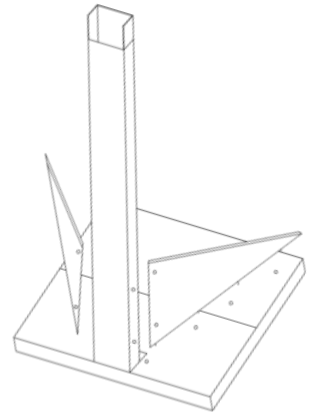
- Place two Side Panels onto the Base.
- Install the Left Side Panel to the Lower Post using 2 Pan Head Screws (M6x10mm). Then place the Left Side Panel to the Base matching the slotted holes. Once the slotted holes are matching, use 3 Pan Head Screws (M6x10mm) and screw securely with the Flange Nuts.
- Repeat the same procedure for the Right Side Panel, then tighten all the screws securely.



Pan Head Screw M6x10mm
QTY: 10



Flange Nut M6
QTY: 6



5 Install Rear Panel

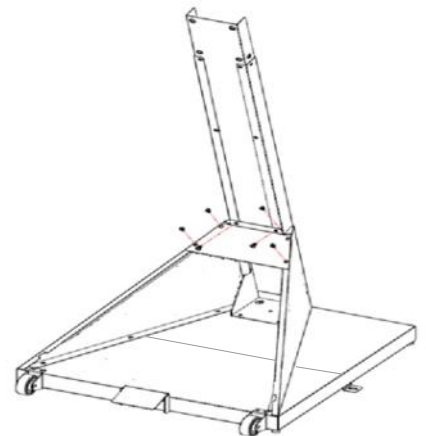
- Place and install the Rear Panel to the Lower Post using 2 Pan Head screws. (M6x10mm)
- Once the top 2 Pan Head screws are Installed, match the slotted holes on the Rear Panel to the Side Panels. Screws all 4 holes securely using 4 pan head screws (M6x10mm) and Flange Nuts.



Pan Head Screw M6x10mm
QTY: 6



Flange Nut M6
QTY: 4

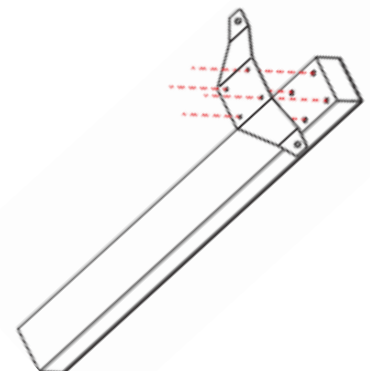


6 Install Heater Bracket to the Top Post

- Place the bracket head on the top post.
- Using the Bracket Head, match the slotted holes to the top post. Once the slotted holes are matched, use 4 pan head screws (M6x10mm), then tighten securely shown in the diagram.
- Ensure bracket is attached in the correct direction, as per the diagram.



Pan Head Screw M6x10mm
QTY: 4



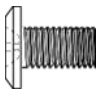
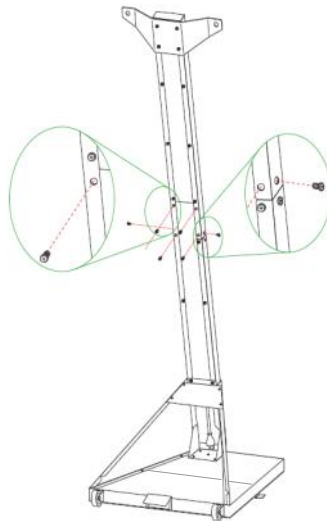


Assembly Instructions

CAUTION: To assemble this heater, you should obtain assistance from another person when handling the larger, heavier pieces.

7 Install Top Post to the Lower Post

- Insert and slide the top post over to the lower post connecting the stand using 8 pan head screws (M6x10mm), then tighten all screws securely.

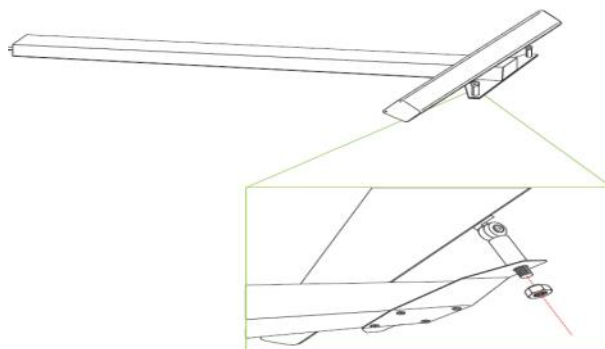


Pan Head Screw M6x10mm
QTY: 8

8 Install the Heater to Bracket Head attached on the Upper Post

- Using the 2 brackets, attach the brackets to the heater.
- Match the brackets to the slotted holes located on the bracket head shown in the diagram.
- Using 2 Hex nuts bolts, tighten the heater brackets to the bracket head support securely.
- Ensure the heater is centred on the post.

Tip: Tilt the stand on a chair or a solid non-abrasive surface before connecting the heater to the bracket head.



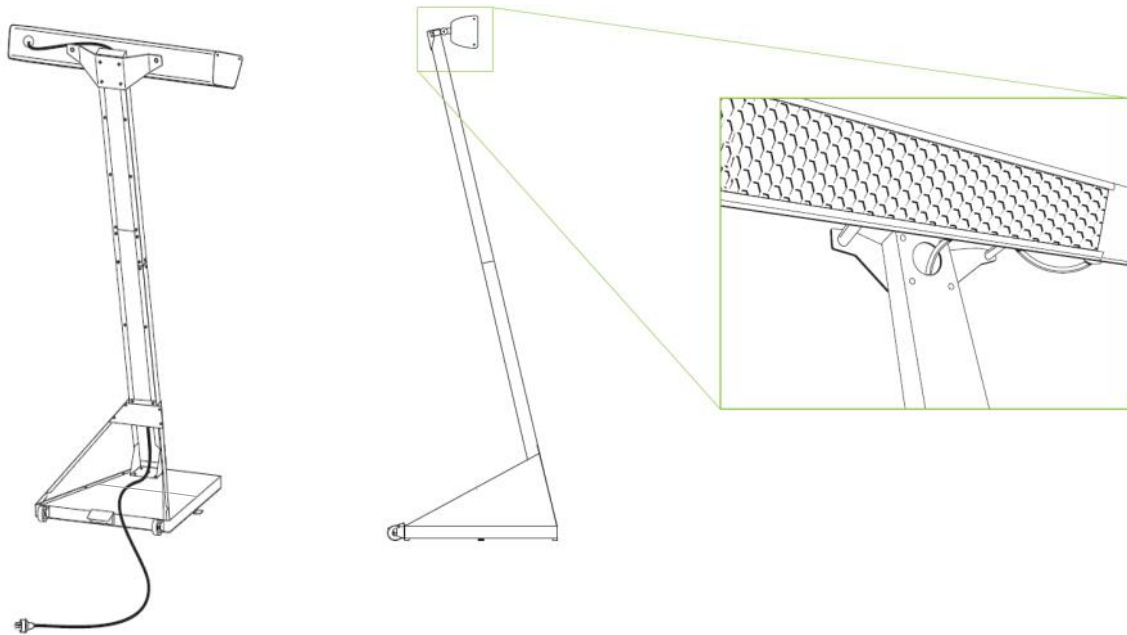
Hex Nut M12
QTY: 2



Assembly Instructions

9 Concealing Power Cord

- Place the plug into the circular hole located at the top of the upper post. The plug should drop to the bottom of the heater, pull the cord gently from the bottom hole. This step will conceal the cord and 3 pin plug.



Optional Accessory

TT-MTR-PLUG

TT-MTR-PLUG provides an easy means of remotely turning on the appliances that are normally permanently connected to a standard wall socket. An easily selected 1 hour, 2 hours and 4 hours timer function accessible on both the wall unit and remote. Programmable remote control unit capable of controlling multiple units.

Specification

Remote battery	CR2025, 3V, Lithium
Remote range	10m+
Wall socket supply	220V - 240V, 50Hz
Max Load	10A (2400W)
Standby consumption	<1W
Remote Frequency	38KHz IR
Dimensions (mm)	105 (H) x 55 (W) x 60 (D)
Approvals	Australian Standards AS/NZ 3105, 3112, 3100





Safety

HEATSTRIP[®] Intense has an IP rating of X5. This means it is protected from water ingress from all directions. HEATSTRIP[®] has undergone extensive testing both in laboratory conditions, in Thermofilm's manufacturing facility in Melbourne and field trials in Australia and overseas. It is this testing that gives the purchaser the confidence of a high quality product.

Independent laboratory testing has confirmed Thermofilm's full compliance with Australian and other International Standards including CE, AS/ANZ, UL/CSA

HEATSTRIP[®] is Class 1 equipment and must be earthed.

In operation, this heater is VERY HOT— do not touch any part of the heater while it is turned on. Do not touch any part until at least 30 minutes after it is turned off.

This appliance is not intended for use by persons (including children) with reduced physical, sensory or intellectual capabilities, or lack of experience and knowledge, unless they have been given supervision or instruction concerning use of the appliance by a person responsible for their safety. Children should be supervised to ensure they do not play with the appliance.

Do not allow any cables, furnishings, flammable materials or other items come in contact with any surface of the heater.

The heater needs to be installed as per the installation instructions.

In case of a heater fault or damaged supply lead, the appliance should be returned to the point of purchase for return to Thermofilm for repair.

Maintenance

The HEATSTRIP[®] Intense is made from durable materials, however regular care and maintenance of your heater will help prolong the life of the heater.

It is recommended that you clean the heater with a soft cloth, gently wipe the surfaces of the heater with a mild detergent to remove the built up contaminants from the environment. Then rinse all detergent off the heater. All chemicals in the atmosphere including cigarette smoke, pollution etc. will tarnish the surface of the heater. In this case, additional cleaning and maintenance may be required. Carrying out the cleaning process at least every three months will reduce the amount of build up and keep the Heatstrip in good condition. If the heater is in a corrosive environment eg. salt spray, we recommend that you clean your heater with a light spray of fresh water every week. After cleaning, turn the heater on for 20 minutes to dry any water residue and prevent water staining.

Before cleaning or inspection activity, the heater must be switched off and cooled down completely.

Do not use any abrasive materials or products to clean the heater, this includes solvents, citrus based cleaners or other harsh cleaning products.

When handling the heater, ensure that your hands are clean or that you use clean gloves as grease or dirt can mark the surface of the heater.

Do not use high pressure water to clean heaters.



Warranty Terms & Conditions

The below Warranty Terms and Conditions apply for **Australia and New Zealand only**. For international warranty please refer to international warranty terms and conditions.

Thermofilm warrants to the original owner that HEATSTRIP Electric Portable Heater products will be free from defects in materials and workmanship for a period of 24 months from the date of purchase for residential applications and 12 months for commercial applications in accordance with the following warranty terms and conditions.

Provision of this warranty is subject to:

- The HEATSTRIP products must be installed in accordance with the Installation Instructions and relevant electrical standards and codes.
- The HEATSTRIP products must be maintained and cleaned according to instructions detailed in the Installation Manual.
- There is no warranty expressed or implied with regard to capacity requirements. The selection of the unit or units depends entirely upon the system design and capacities as determined by the purchaser.
- The customer has not repaired, opened or altered the product in any unauthorised manner.
- This warranty excludes damage to the product or components arising from circumstances outside the control of Thermofilm, including, but not limited to, where the product is not used for intended purpose; where the product has been rectified in any way; incorrect installation; incorrect power supply; damaged caused during delivery; misapplication, misuse, abuse, vandalism, lack of maintenance or accident.
- Thermofilm's obligations under this warranty are limited to repair or replacement at Thermofilm's factory of any components of the product which Thermofilm identifies to its satisfaction to be defective.
- Transportation charges involved in return of the product to the Thermofilm factory (or any other location authorised in writing by Thermofilm) is the sole responsibility of the customer.
- All products are inspected and tested before despatch and are at the risk of the purchaser after the shipment from the Thermofilm factory, if not delivered by Thermofilm to destination.
- No products or components will be supplied in advance of an examination of the faulty product or components by Thermofilm or an authorized representative of Thermofilm.

Thermofilm does not participate in any site related costs or labour expenses incidental to replacement of parts, repairing, removing, installing, servicing, transportation or handling of parts to complete products, and assumes no liability on parts repaired or replaced without written authorisation. Thermofilm shall not be liable for any default or delay in performance of its warranty obligations caused by any circumstances beyond its control, including, but not limited to, judicial or government restrictions, strikes, fires, floods, abnormal weather conditions, delayed supply of components.

Should products be determined as damaged on arrival, immediately notify the transport company of the condition and have them noted on the freight documents. If damage is discovered after unpacking, demand immediate inspection by the transportation company and insist that a record of the damage is made on the freight documentation.

The customer warrants using the product in accordance with:

- Any instructions provided to it by Thermofilm from time to time.
- All government and local regulations, including but not limited to all relevant electrical, environmental laws and regulations governing the installation, storage, use, handling and maintenance of the goods.
- All necessary and appropriate precautions and safety measures relating to the installation, storage, use, handling and maintenance of goods.

Our goods come with guarantees that cannot be excluded under the Australian Consumer Law. You are entitled to a replacement or refund for a major failure and for compensation for any other reasonably foreseeable loss or damage. You are also entitled to have the goods repaired or replaced if the goods fail to be of acceptable quality and the failure does not amount to a major failure.

All warranty requests for repairs or replacements must be accompanied by a complete "Warranty Claim Form" available from Thermofilm, together with proof of purchase (and where possible, photos of the installation) and the heater returned to the place of purchase.

In the event of a warranty claim, the goods need to be returned to the distributor/retailer for repair/replacement. Contact

Thermofilm Australia Pty Ltd
8 Lakeview Drive Scoresby, Victoria 3179, Australia
Telephone: (03) 9562 3455
Email: Info@thermofilm.com.au
Email: sales@heatstrip.com.au
www.heatstrip.com.au