

HEATSTRIP[®]

INDOOR RADIANT STRIP HEATERS



OPERATION, INSTALLATION AND MAINTENANCE MANUAL



HEATSTRIP Indoor - EUROPE

The heater that is a design feature





CONTENTS

Rev C Mar16

Product overview _____	3
Specifications _____	5
Spot heating principle _____	6
Selection guide _____	7
Installation requirements _____	8
Installation location _____	9
Mounting options _____	10
Standard mounting brackets _____	11
Angle mounting brackets _____	12
Flush mount enclosure _____	13
End-to-end mounting bracket _____	14
Suspension mount bracket _____	15
T-Bar mount _____	16
Wall controller with remote _____	17
Wall controller installation guide _____	18
Safety & Maintenance _____	19
Warranty terms & conditions _____	20

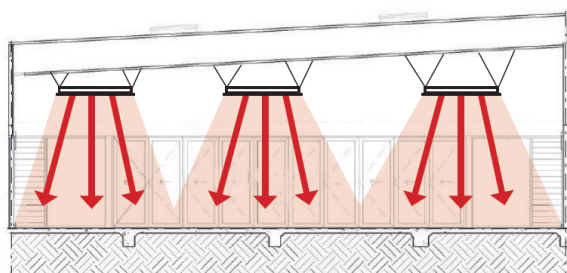


Product Overview

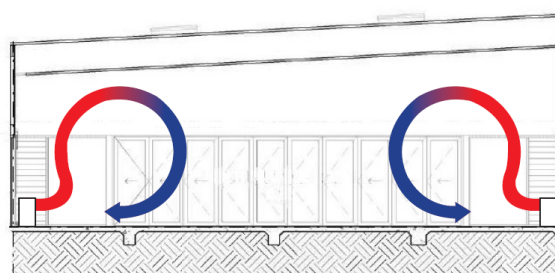
Why choose Heatstrip electric radiant heaters for your indoor area?

As there is can be significant air movement in an open indoor area, many conventional heaters rely on convection heating which works by heating the surrounding air. This can be quite impractical for these areas, as this heated air can easily be lost, or naturally move to areas where it becomes ineffective (eg. high ceilings). Radiant style heaters transfer heat directly to objects through infra-red waves.

Whilst convection heaters heat the air in between objects, radiant heaters heat the surface of the objects themselves. HEATSTRIP electric radiant heaters are effective within uninsulated or hard-to-heat indoor area because they provide targeted warmth directly to the people and objects in their path.



Above: radiant heat is directed downwards to where it is required, and can be zoned to heat only those areas that are occupied.



Above: convective heat can be lost in uninsulated areas or naturally rise towards the roof in high ceiling

There are 3 different ranges of products within the Heatstrip product category. Each has a different temperature specification, making them ideal for different applications. Below is a list of some common applications, to assist with the selection of the most effective and efficient series. This is a general guide only, please refer to the Product Manual for each product, for more information.

HEATSTRIP Design (THH models) is a premium high temperature heater and is primarily used for outdoor rooms where there is 1,2 3, or 4 enclosed sides or open indoor area's, with an ideal mounting height of 2.3m to 2.7m.

HEATSTRIP Max (THX models) is an ultra high temperature heater used for uncovered or open areas with a mounting height of 2.4 m to 3.5m.

HEATSTRIP Indoor (THS models) is a medium intensity heater used for protected indoor applications.

APPLICATION	THX	THH	THS
Indoor insulated areas: classrooms, offices, bathrooms, wet areas, drying rooms	X	√	√
Outdoor under cover: café, veranda, patio, balcony ceiling height 3m or less	√	√	X
Outdoor under cover: café, veranda, patio, balcony ceiling height up to 3.5m	√	X	X
Exposed outdoor area	√	X	X
Indoor open area: warehouse, factory, production areas, sports facilities	√	√	√
Indoor spot heating: above tables, assembly areas	√	√	√



Heatstrip Indoor — Features & Benefits

Stylish, Modern, Sleek, Slimline design

The new modern, slimline design of the Heatstrip Indoor makes it the sleekest profile on the market. It will elegantly and seamlessly blend into any indoor environment or décor.

Effective, efficient heating solution for all tough-to-heat, open indoor applications

The innovative design of the HEATSTRIP enables comfortable and even heat dispersion from the surface with minimal operating costs.

Up to 90% of the heating energy is directed to the area to be warmed, while 10% is emitted as convective heat. This high efficiency ratio means greater heating value.

These medium intensity heaters have an improved water protection rating of IP45 and specifically designed for indoor heating.

Enhanced Heatstrip performance

The HEATSTRIP Indoor design incorporates a unique profile with a high surface area to radiate the heat efficiently and effectively. The enhanced design of the heating panel ensures rapid heat dispersion to provide an ideal indoor comfort heat environment.

Design Flexibility to Meet BCA requirements

4 different models and multiple mounting options within the range allows for the design of innovative heating systems to meet stringent BCA requirements.

Suitable for Multiple Applications — commercial & residential

HEATSTRIP Indoor can be designed to provide comfort heating for a single room or a large stadium, and either a large group or a single person.

Heatstrip Indoor is ideal for a range of applications such as classrooms, lecture halls, sports facilities, shops, factories, churches, restaurant, warehouses, showrooms, childcare facilities, offices, industrial heating, dance & yoga studio's and bedrooms, living rooms, bathrooms etc.

Multiple Mounting Options allows for easy installation

Standard ceiling brackets are supplied, plus optional brackets are available for angled wall mounting, flush ceiling mounting; T-Bar ceiling mounting and chain/wire suspension mounting.

Minimal maintenance

The HEATSTRIP Indoor incorporates no internal moving parts, ensuring quiet and virtually maintenance free operation.

Australian made

Designed, engineered and manufactured in Australia, the HEATSTRIP Indoor is fully backed by a 24 month residential warranty, and 12 month commercial warranty.





Specifications

MODEL	POWER (WATTS)	CURRENT (AMPS)	DIMENSIONS (mm)	WEIGHT (Kg)	LEAD LENGTH (mm)	PLUG
THS1200AEU	1200	5.0	924x 235 x 48	6	1000	YES
THS2400AEU	2400	10	1834 x 235 x 48	11	1000	YES

MODEL

HEATER TYPE High intensity electric radiant overhead heater with high surface area profiled alloy

OUTPUT Refer to model code chart above

POWER 230-240 Volts Nominal at 50—60 Hertz, Single Phase

CONNECTION 3 Core Cable 1.5mm²

APPROVALS AUSTRALIA/NZ

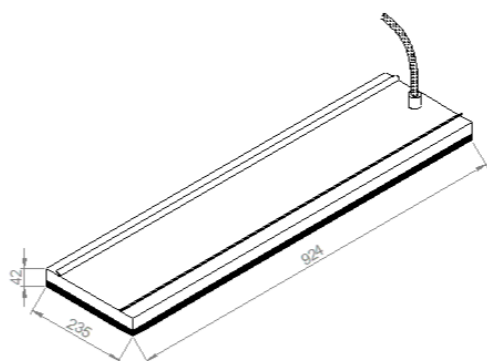
MOUNTING HEIGHT

MINIMUM	2.1 m
RECOMMENDED	2.3 m to 2.7 m
MAXIMUM	3.0 m (For higher ceiling heights, units can be lowered using optional bracket kits or refer to the Heatstrip Max range)

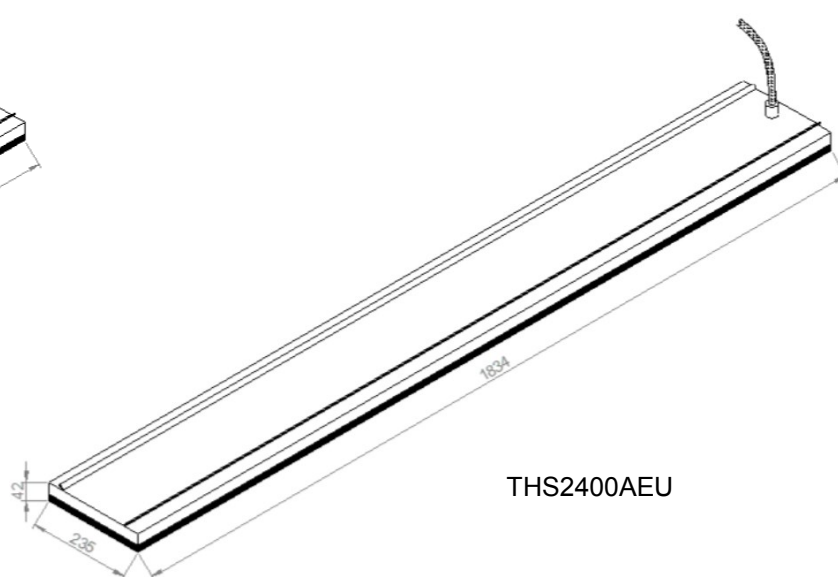
MOUNTING OPTIONS Suitable for ceiling, wall and recess mounting. Also available for suspension chain mount bracket.

PROTECTION RATING IP45 Protection from water ingress from all directions

COUNTRY OF MANUFACTURE Australia



THS1200AEU



THS2400AEU

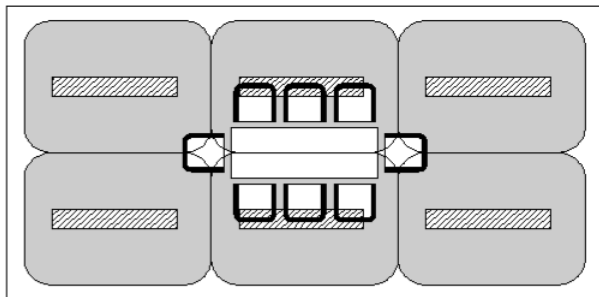


Spot Heating Principle

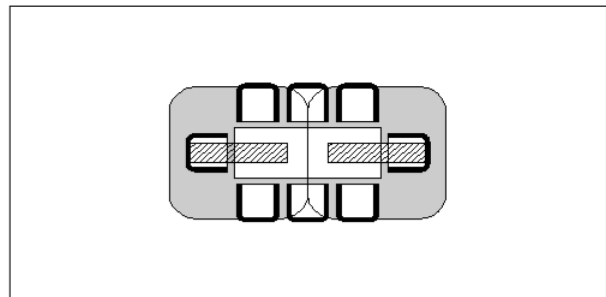
In most outdoor or difficult-to-heat indoor applications there are 2 options when looking at the size and quantity of heaters required. Option 1 is to comfort heat the entire area based on the total dimensions of the space, regardless of whether the entire area is being fully occupied. Option 2 is to spot heat the high uses areas, such as over tables, lounges and workstations.

Often it is more practical and efficient to spot heat these areas. Spot heating will help reduce the initial capital cost as well as the ongoing running costs. Spot heating will allow also the area to be “zoned”, meaning heating on the areas that being used, such as tables in restaurants.

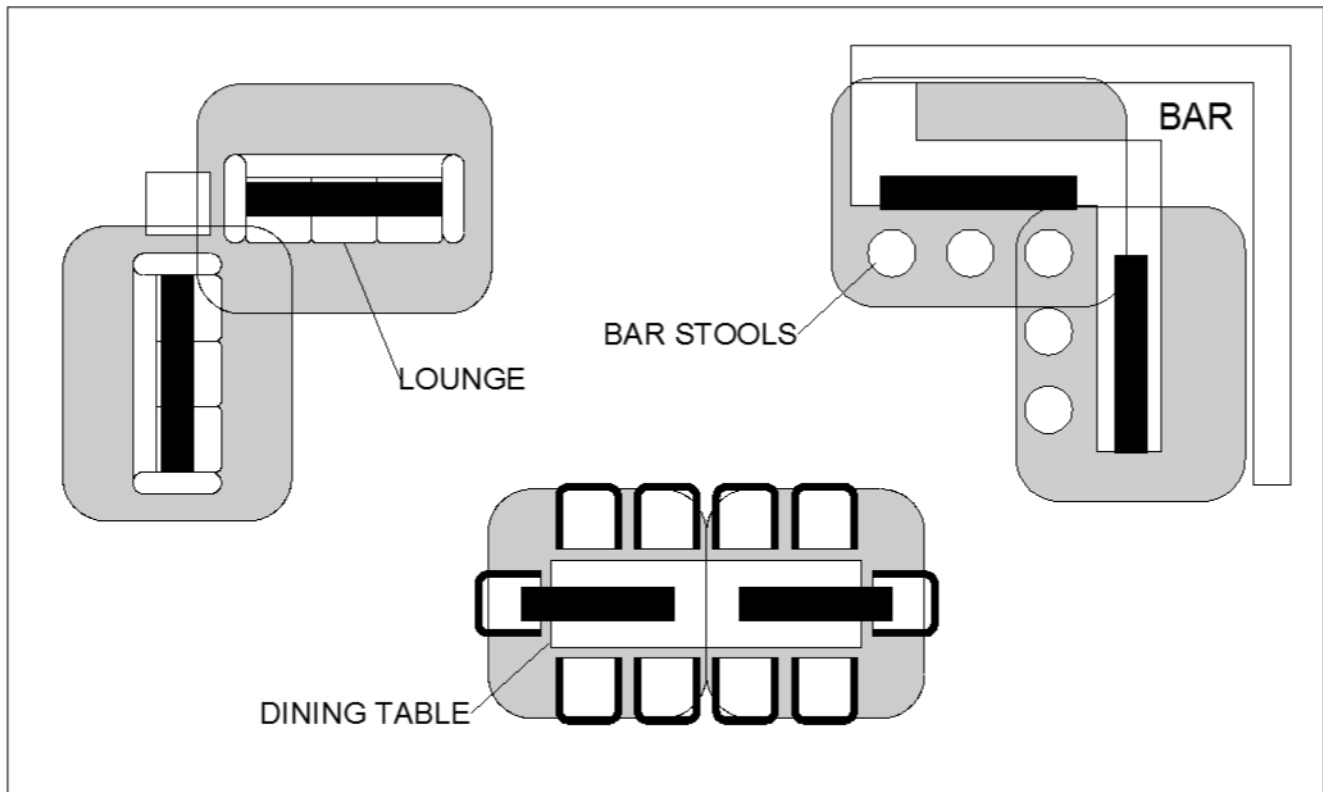
The top table shows a comparison between spot heating over a table or heating an entire area. The bottom table shows the flexibility of using HEATSTRIP to provide a comfortable environment even when the layout of the area is unusual.



6 x THS2400AEU



2 x THS2400AEU





Selection Guide

General recommendations for **HEATSTRIP Indoor**:

- Ideal mounting height: 2.3m to 2.7m. Maximum is 3.0m in an insulated indoor environment.
- Ideal mounting location: ceiling mounted, directly above area to be heated (eg. above a table, seating area etc.)

The below table outlines the coverage of each **HEATSTRIP Indoor** model (in m²), based on 2 different scenarios. For example, for an indoor area that is protected, Model THS1200AEU will cover 8m² and Model THS2400AEU will cover 16m².

MODEL	INDOOR INSULATED (m ²)	INDOOR PROTECTED (m ²)
THS1200AEU	12	8
THS2400AEU	24	16

The above is a guide only and may vary depending on the individual site and conditions.

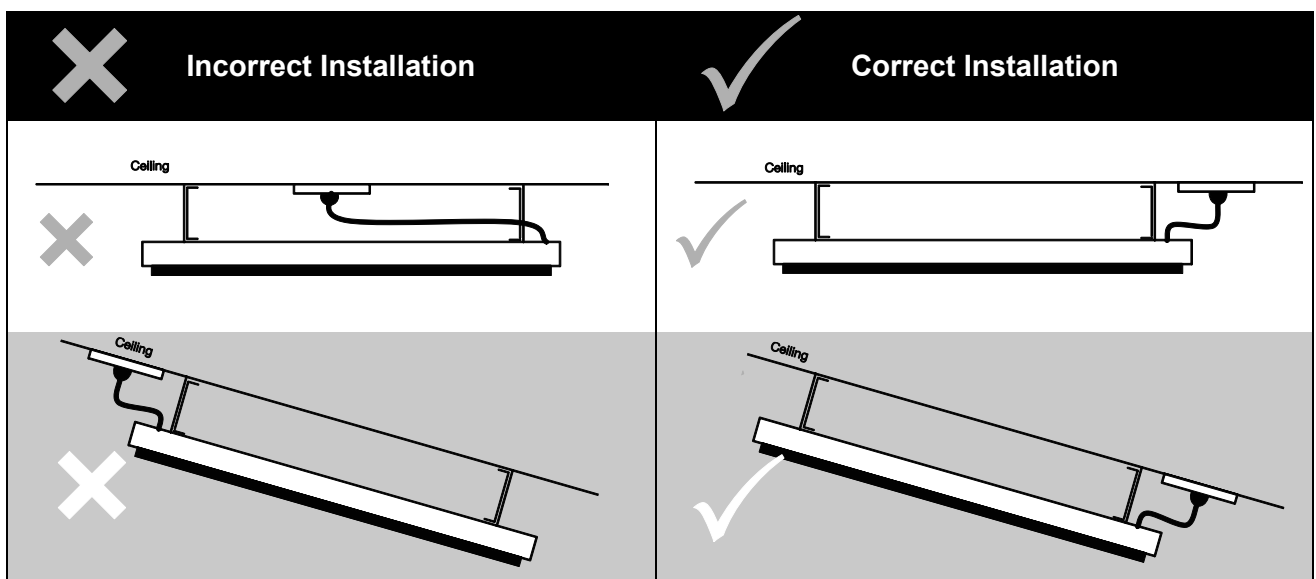




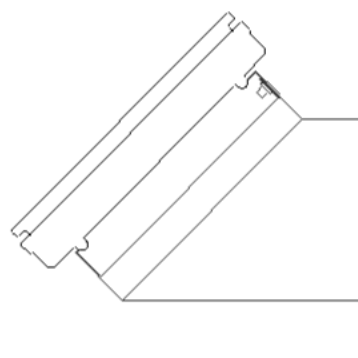
Installation Requirements

The ideal mounting position for the HEATSTRIP Indoor is on the ceiling, directly above the area to be heated. If this is not possible, HEATSTRIP Indoor can be mounted on a wall and angled downwards. In this situation, ensure the mounting height is in the range of 2.1m to 3.0m.

- For mounting heights more than 3.0m, we recommend the use of the optional accessories to reduce the height of the heater to 2.3m—3.0m. This will increase the effectiveness of your HEATSTRIP. Refer to the Mounting Accessory section for more information.
- Electrical connections/GPO's should not be located at the back of the heater. They should be located outside the physical footprint of the units to minimize heat build-up behind the units.
- If the heater is to be mounted on an incline (eg. vaulted ceiling), ensure the electrical connection is located at the lowest point of the heater.



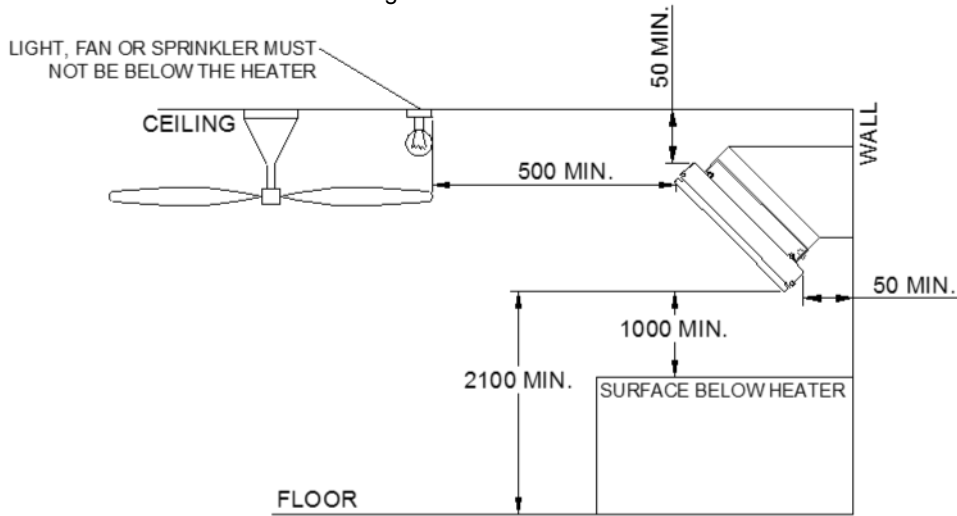
CEILING



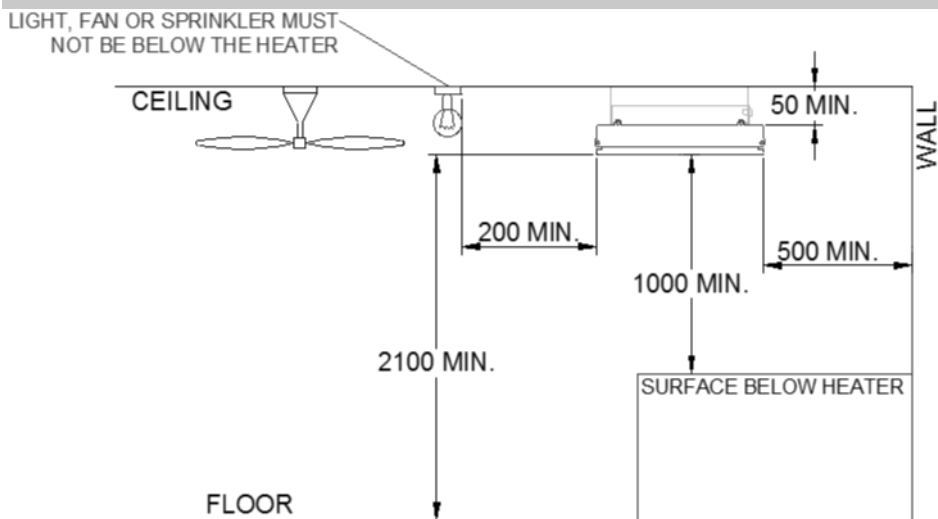
The heating surface must never be directed toward the ceiling



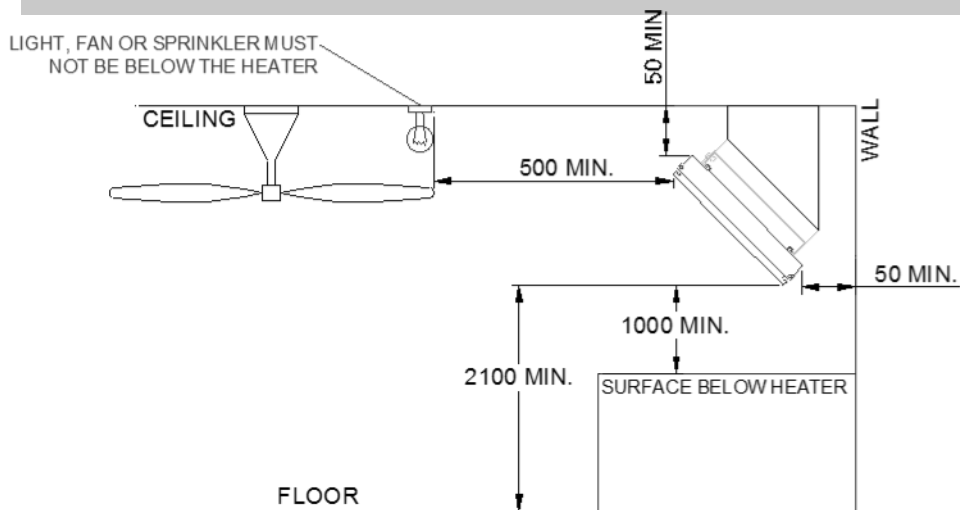
Installation Location —the below diagrams confirm the minimum recommended clearances.



Angled Wall Installation



Ceiling Installation



Angled

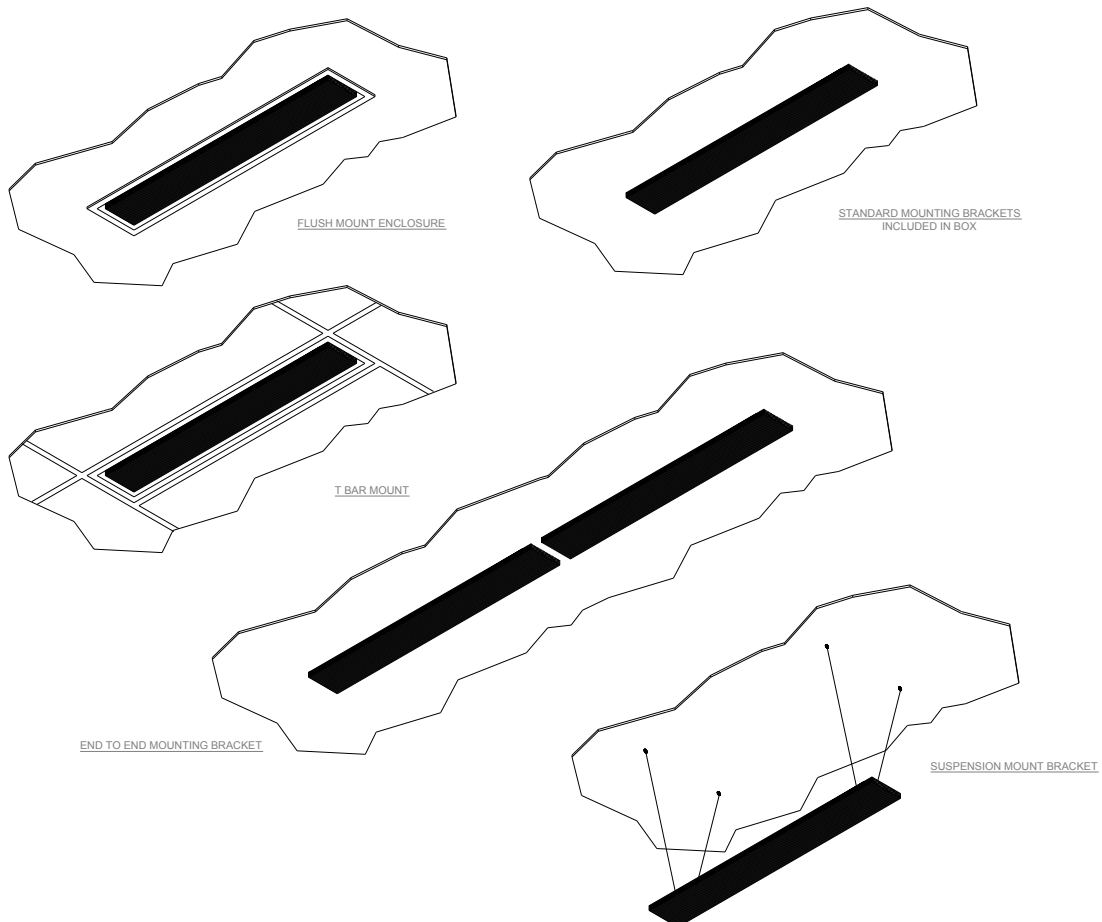
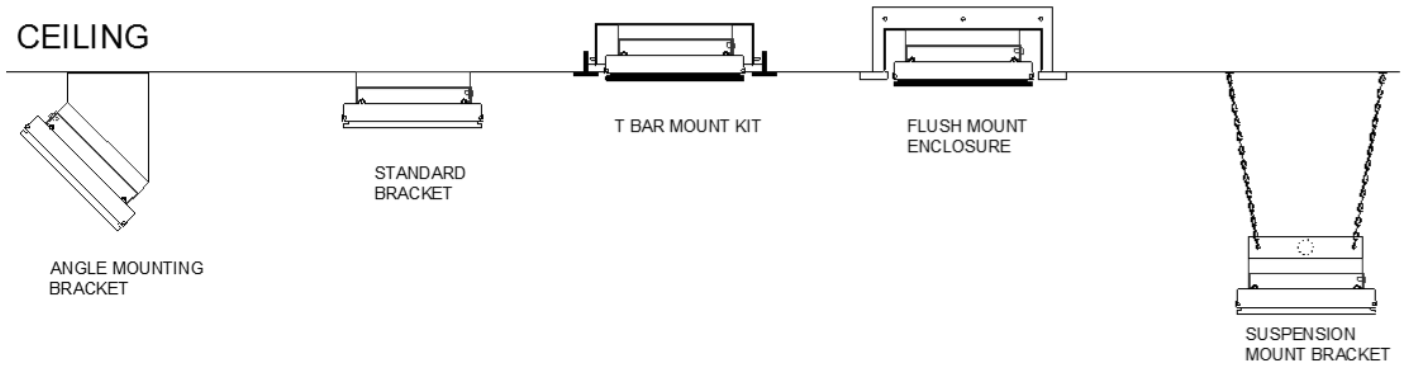


Mounting Options

The installation of HEATSTRIP Indoor is simple and easy with the standard mounting brackets supplied. For other, more challenging locations there are a range of mounting options available - refer to below diagrams.

The HEATSTRIP Indoor can be mounted directly to the ceiling; angled downwards on a wall; fitted flush with the ceiling; suspended on chains or mounted end-to-end. Refer to the following pages for more detailed information on each mounting option.

CEILING





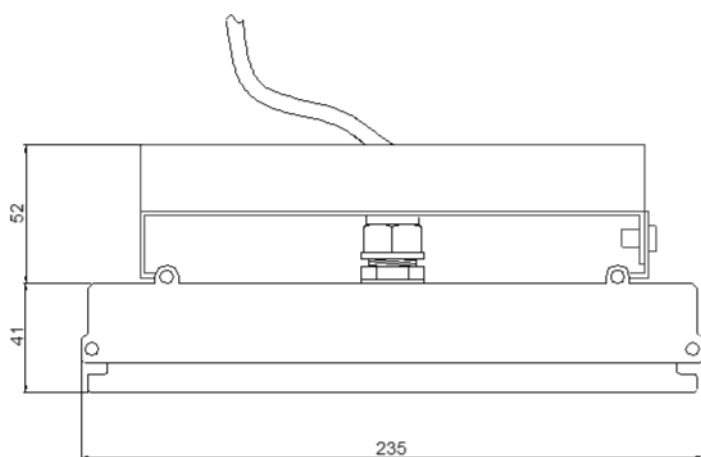
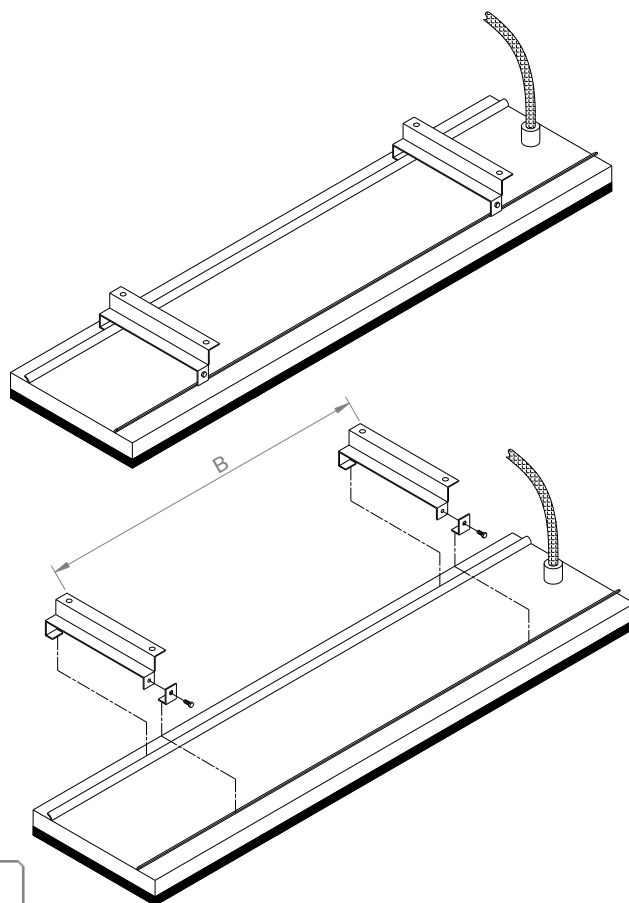
Standard Mounting Brackets

The HEATSTRIP Indoor comes with a pair of standard mounting brackets. These brackets allow direct ceiling mount.

The brackets need to be mounted onto a secure frame or ceiling with a minimum distance between the two brackets. The minimum distance (“B”) for each model is listed in the table below.

When completing the installation, ensure all screws are tight and unit is secure.

MODEL	“B” MINIMUM DISTANCE (mm)
THS1200AEU	500
THS2400AEU	1000



Standard Mounting Bracket

PART No	PACKAGED DIMENSIONS (mm)	WEIGHT (kg)	MATERIALS
ZBRAK-92	200 x 50 x 50	0.5	MILD STEEL POWDER-COATED WHITE

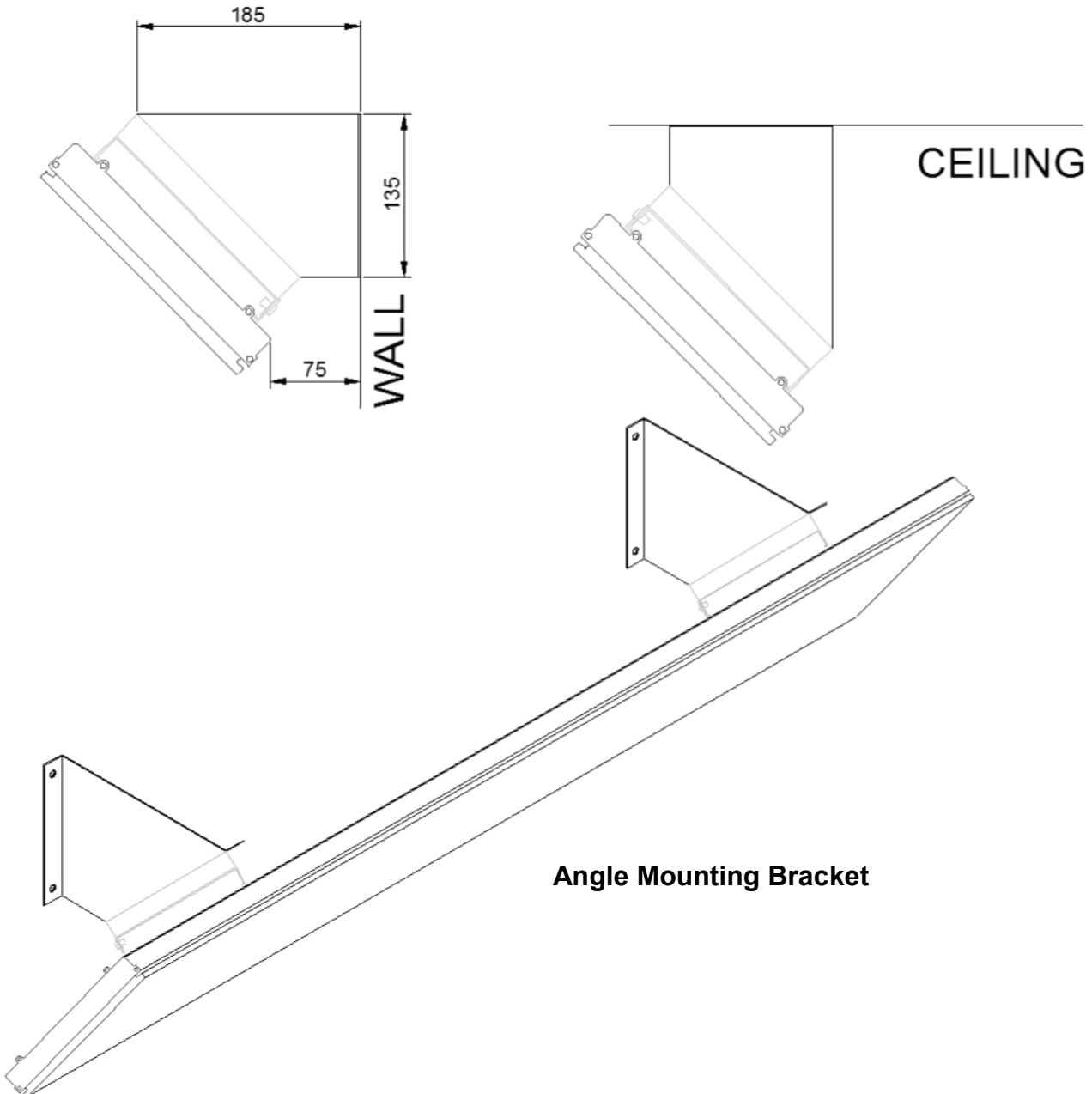


Angle Mounting Brackets

The HEATSTRIP Indoor has optional angle mounting brackets. These brackets can be mounted to the ceiling or the wall to bring the effective heat closer to where it is needed.

The angle of the bracket is preset to 45°.

When installing, ensure that the minimum distances are maintained. Screws are not provided.



PART No.	PACKAGED DIMENSIONS (mm)	WEIGHT (kg)	MATERIALS
THSAC-020	200 x 200 x 50	0.5	MILD STEEL POWDER-COATED WHITE

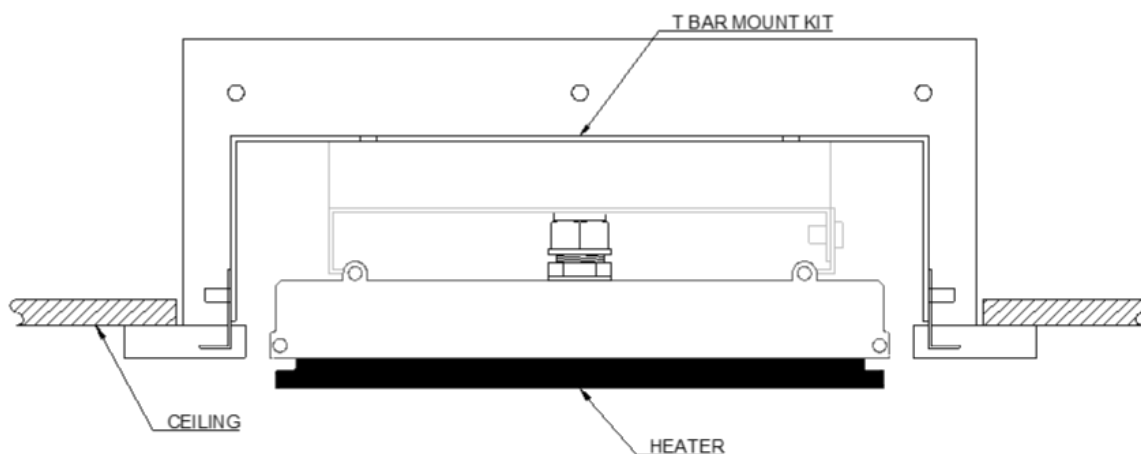
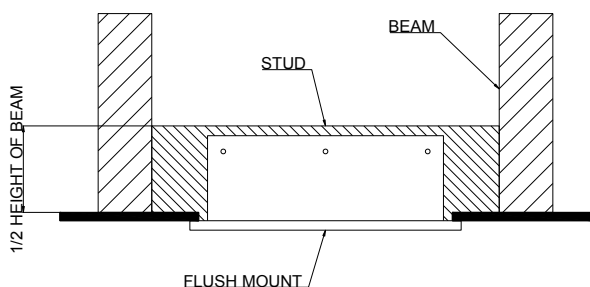
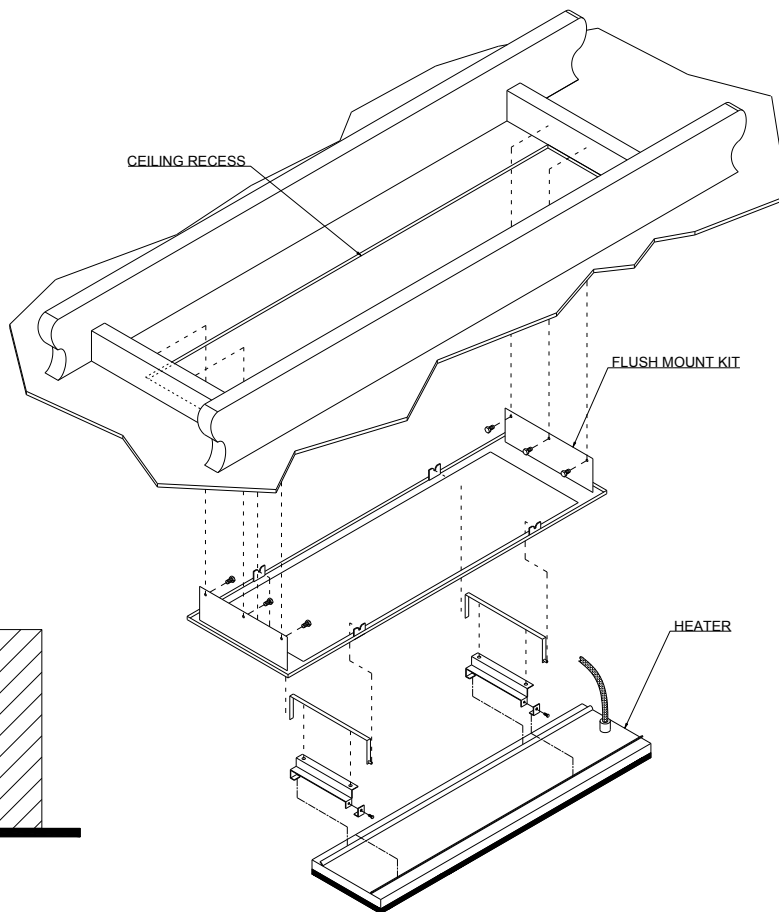


Flush Mount Enclosure

The Flush Mount Enclosure is an ideal way to neatly install the Heatstrip Indoor into a ceiling. They are available for all Heatstrip Indoor models, and are supplied as a one-piece unit for mounting of heaters. Flush mounting can be used with plaster or wood lined ceiling materials.

An ideal mounting height is 2.1-2.7m. Maximum mounting heights should be strictly followed, otherwise the performance of the units may be reduced.

The fascia is made from white powdercoated mild steel.



SUITABLE FOR MODELS	PART No	HOLE CUTOUT DIMENSIONS (mm)	OVERALL DIMENSIONS (mm)	WEIGHT (kg)
THS1200AEU	THSAC-026	1020 x 325	1040 x 345 x 100	4
THS2400AEU	THSAC-028	1930 x 325	1950 x 345 x 100	5

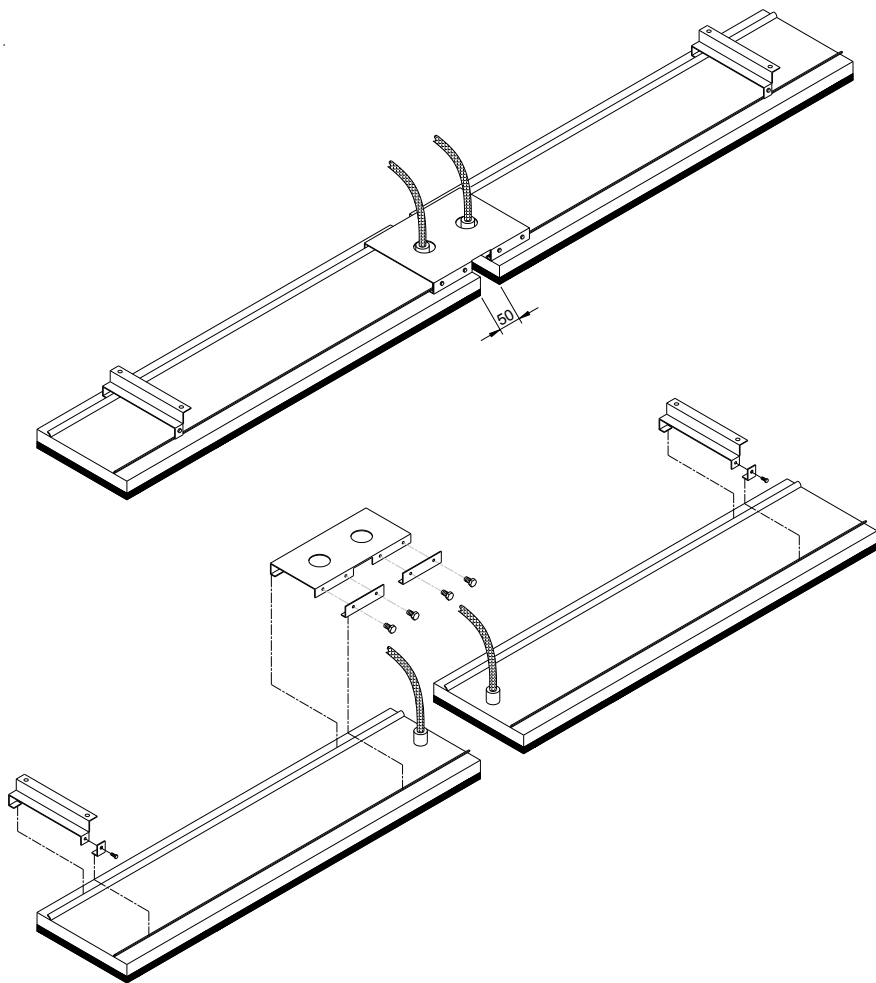


End to End Mounting Bracket

The end to end bracket allows multiple units to be joined in a straight line for maximum heat performance and aesthetic appeal. This is ideal for applications such as long rows of tables and assembly lines, where a constant heat coverage is required.

The bracket allows for a 50mm gap between units and an opening for the power connection. As per the diagram below, units should be mounted with the power leads together.

The end to end bracket can be used with the standard ceiling/wall mount bracket.



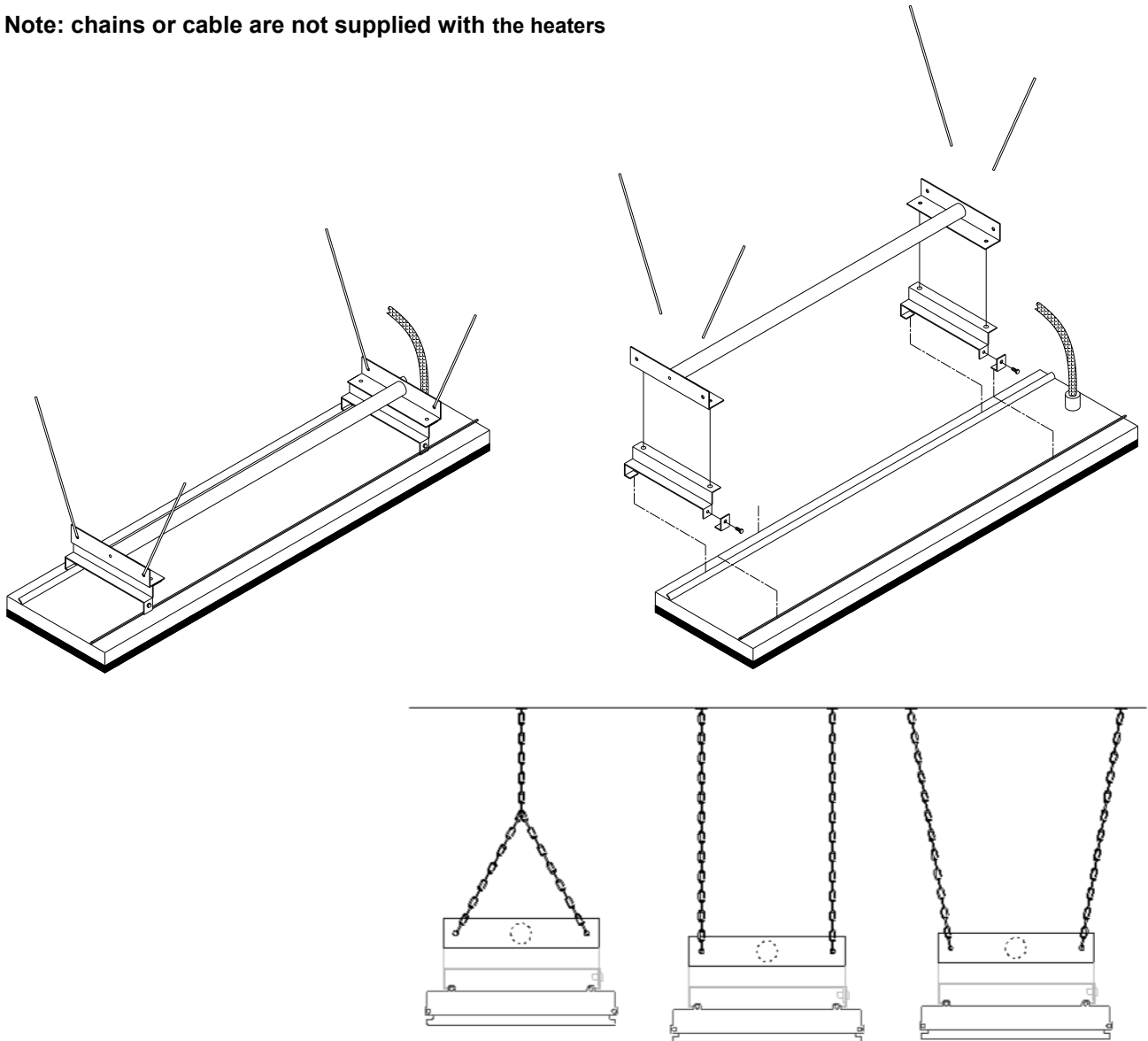
PART No	PACKAGED DIMENSIONS (mm)	WEIGHT (kg)	MATERIALS
THSAC-029	260x200x30	1	MILD STEEL POWDER-COATED WHITE



Suspension Mount Bracket

The Suspension Mount bracket provides a cheap, easy and effective option for lowering the HEATSTRIP Indoor from high ceilings. If the ceiling height is more than 2.7m in an enclosed outdoor environment. It is recommended to lower the heaters to an ideal mounting height of 2.1m—2.7m. The bracket is designed to be used with chains or wires. There can be multiple chain/wire arrangement options, as per the below diagram.

Note: chains or cable are not supplied with the heaters



SUITABLE FOR MODELS	PART No	PACKAGED DIMENSIONS (mm)	WEIGHT (kg)	MATERIALS
THS1200AEU	THSAC-021	650 x 200 x 50	2	MILD STEEL POWDERCOAT WHITE
THS2400AEU	THSAC-022	1350 x 200 x 50	2	MILD STEEL POWDERCOAT WHITE

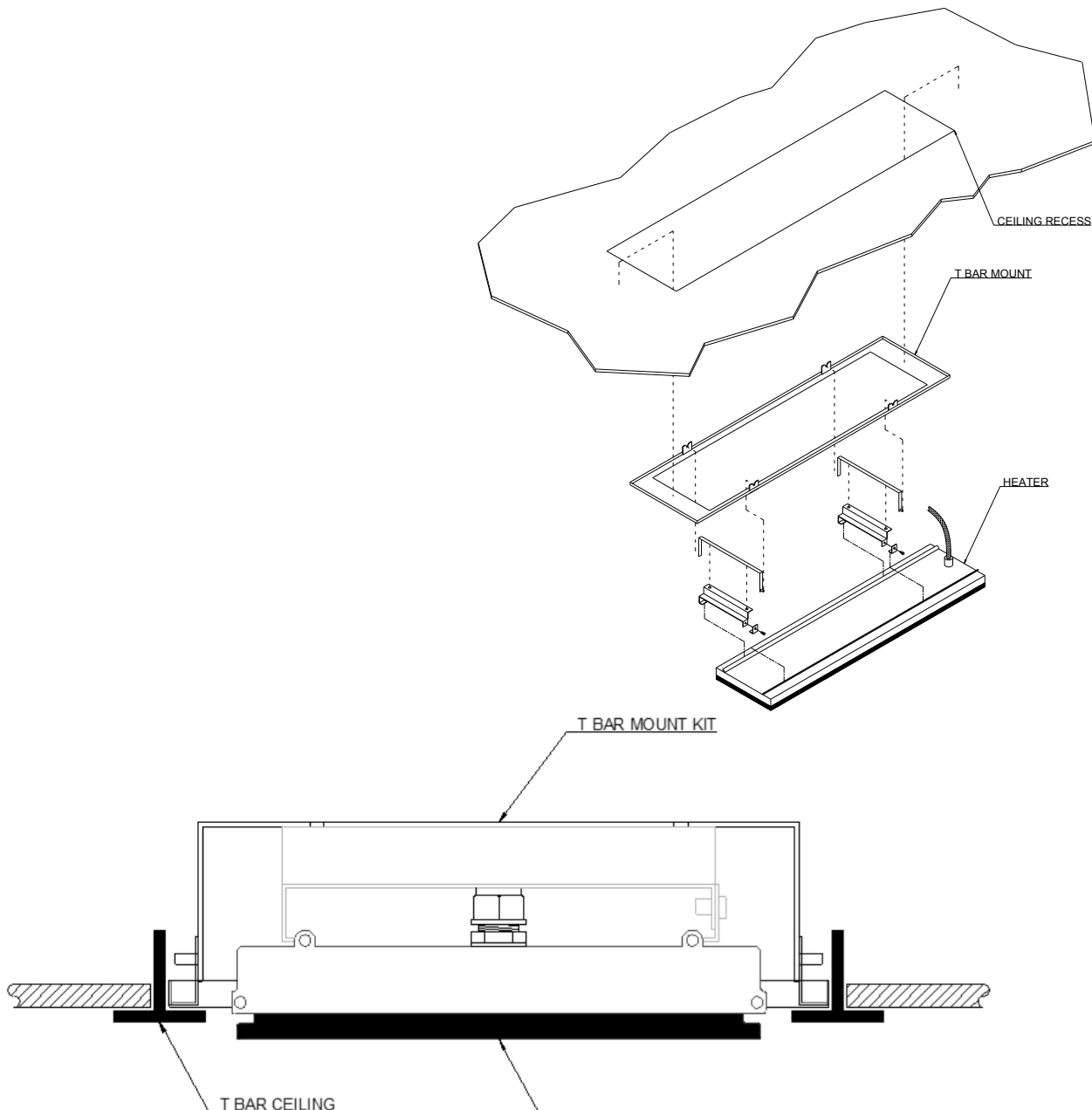


T Bar Mount

The T Bar Mount is designed to fit as a half tile into a standard 1200 x 600mm T Bar ceiling grid.

An ideal mounting height is 2.1m-2.4m, with a maximum ceiling height of 2.7m in an indoor enclosed environment. Maximum mounting heights should be strictly followed, otherwise the performance of the units may be reduced.

The facia of the enclosure is manufactured from mild steel powdercoated white in a durable finish.



SUITABLE FOR MODELS	PART No	HOLE CUTOUT DIMENSIONS (mm)	OVERALL DIMENSIONS (mm)	WEIGHT (kg)
THS800AEU	THSAC-023	1080 x 280	1090 x 290 x 100	4
THS1200AEU	THSAC-024	1080 x 280	1090 x 290 x 100	4



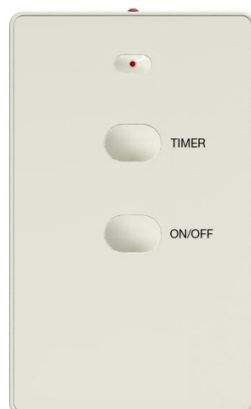
Wall Controller with remote control

This controller is a custom designed and manufactured controller for HEATSTRIP. It has been designed for ease of use to ensure economic running costs of your heater. It provides a timer for automatic heater operation.

The timer function has four settings. It can turn the heater on for 1 hour, 2 hours, 4 hours or constantly on.

The timer can be operated where it is installed or via remote control unit. It has pre set timing for 1 hour, 2 hours or hours or continuous, allowing the heater to operate continuously.

The remote control has a range of 10 metres and must be within line of sight of the wall switch.



Controlling multiple units

It is possible to use one wall controller to control multiple heaters up to 16 Amps load. The wall controller is rated at 16 Amps and 220-240 volts. For larger current draw, it is recommended that you talk to your electrician who can use a relay to connect more units.

Mounting

The TT-MTR is designed to fit into a standard European wall gangbox. It will just as easily fit into a plaster wall. Your electrician can install this device.

The controller needs to be installed according to your local wiring guidelines.

Operation

Press "ON/OFF" button to turn power on and off.

Press "TIMER" button to set timer to 1, 2, 4 hours operation. The timer indicator light will show which time setting is selected. The timer will start the heater and automatically turn it off at the preselected time.

Safety

The TT-MTR controller must be installed in a dry location. It is not suitable for installation where rain or water could affect the unit.

Ensure the connections are properly connected.

This appliance is not intended for use by persons (including children) with reduced physical, sensory or intellectual capabilities, or lack of experience and knowledge, unless they have been given supervision or instruction concerning use of the appliance by a person responsible for their safety. Children should be supervised to ensure they do not play with the appliance.

Maintenance

The TT-MTR Controller is made from durable materials, however regular care and maintenance of your controller will help prolong the life of the product.

It is recommended that you dust the controller to keep the surface clean. The cleaning process at least every three months will reduce the amount of build up and keep it looking as best it can.

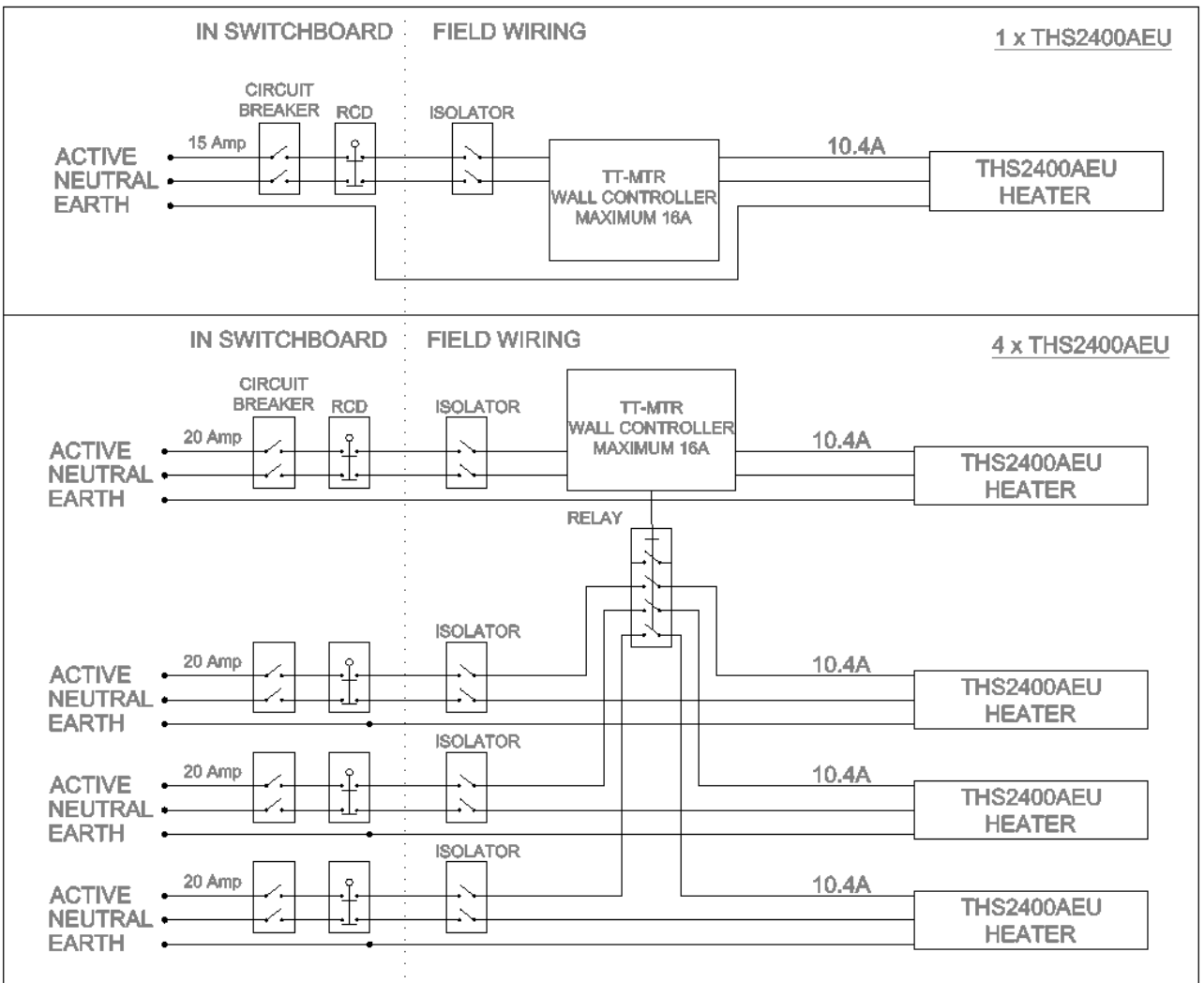
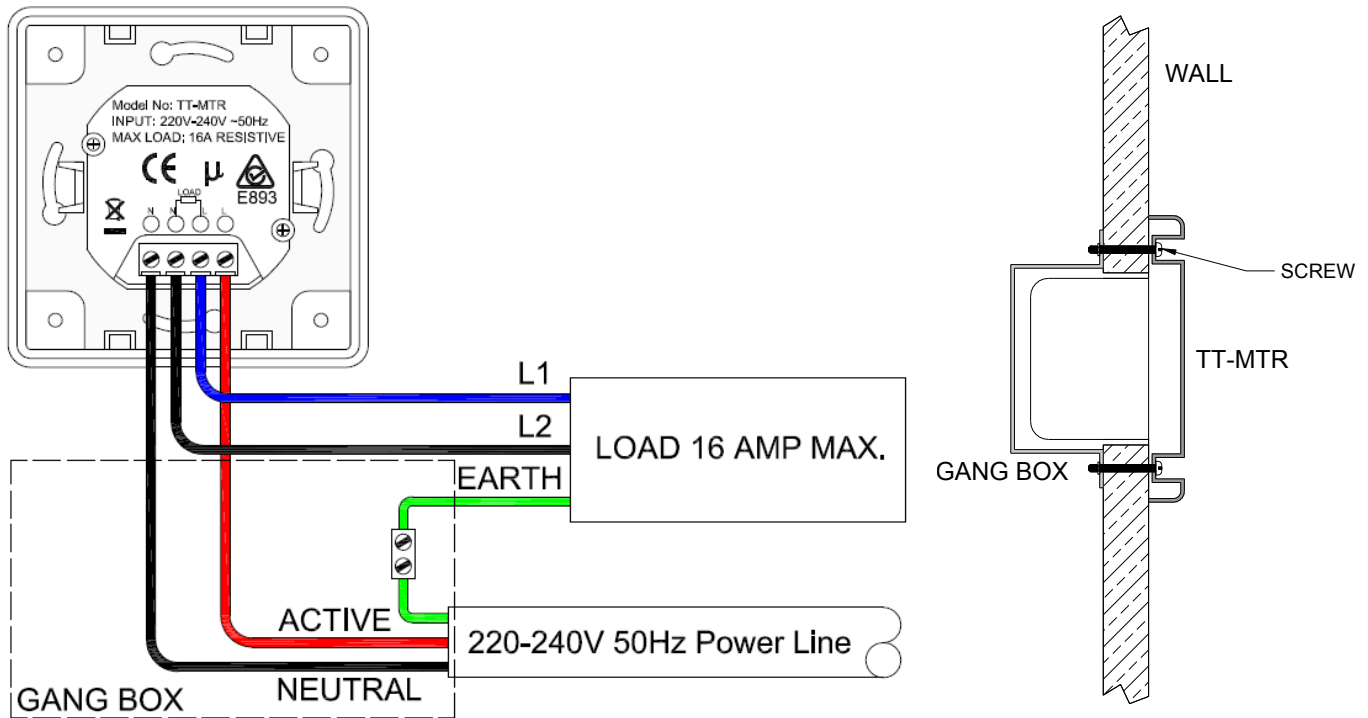
Do not use any abrasive materials or products to clean the controller, this includes solvents, citrus based cleaners or other harsh cleaning products. Do not use water or a damp cloth to clean the controller.

When handling the controller, ensure that your hands are clean or that you use clean gloves as grease or dirt can mark the surface of the controller.

MODEL	MAXIMUM VOLTAGE (Volts)	MAXIMUM CURRENT (Amps)	PACKAGED DIMENSIONS (mm)	WEIGHT (kg)
TT-MTR	220—240	16	80 x 80 x 42	0.5



Wall Controller Installation Guide





Safety

HEATSTRIP Indoor has an IP rating of 45. This means it is safe for water ingress from all directions. The HEATSTRIP can be safely hosed down.

HEATSTRIP has undergone extensive testing both in laboratory conditions; in Thermofilm's manufacturing facility in Melbourne and field trials in Australia and overseas. It has been this testing that gives the purchaser the confidence of a high quality product.

Independent laboratory testing has confirmed Thermofilm's full compliance with Australian and other International Standards. This includes CE, AS/ANZ, UL/CSE

All heater models come with a plug. The fixed wiring must be installed by a licensed electrician in accordance with the relevant wiring regulations.

HEATSTRIP is Class 1 equipment and must be earthed.

In operation, this heater is VERY HOT— do not touch any part of the heater while it is turned on. Do not touch any part until 30 minutes after it is turned off.

This appliance is not intended for use by persons (including children) with reduced physical, sensory or intellectual capabilities, or lack of experience and knowledge, unless they have been given supervision or instruction concerning use of the appliance by a person responsible for their safety. Children should be supervised to ensure they do not play with the appliance.

Do not allow any cables, furnishings, flammable materials or other items come in contact with any surface of the heater.

If installed in wet areas, the heater switches or controls must be located so that they cannot be touched by persons in the bath or shower.

The heater needs to be installed as per the installation instructions paying special attention to the minimum clearances. The heater needs to be mounted on a rigid bracket or fixing.

The heater must not be mounted immediately below or in front of a socket outlet.

In case of a heater fault or damaged supply lead, the appliance should be returned to the point of purchase for return to Cook & Heat B.V. for repair.

Maintenance

The HEATSTRIP is made from durable materials, however regular care and maintenance of your heater will help prolong the life of the heater.

It is recommended that you hose down the heater and with a soft cloth gently wipe the surfaces of the heater with a mild detergent to remove the built up contaminants from the environment. Then rinse all detergent off the heater. All chemicals in the atmosphere including cigarette smoke, pollution etc. will tarnish the surface of the heater. In this case, additional cleaning and maintenance may be required. The cleaning process at least every three months will reduce the amount of build up and keep it looking as best it can. If the heater is in a corrosive environment eg. salt spray, we recommend that you clean your heater with a light spray of fresh water every week. After cleaning, turn the heater on for 20 minutes to dry any water residue and prevent water staining.

Before cleaning or inspection activity, the heater must be switched off and cooled down completely.

Do not use any abrasive materials or products to clean the heater, this includes solvents, citrus based cleaners or other harsh cleaning products.

When handling the heater, ensure that your hands are clean or that you use clean gloves as grease or dirt can mark the surface of the heater.

Do not use high pressure water to clean heaters, light water spray only.



Warranty Terms & Conditions

The below Warranty Terms and Conditions apply for **international warranty** only.

Cook & Heat B.V. warrants to the original owner that HEATSTRIP Indoor products will be free from defects in materials and workmanship for a period of 24 months from the date of purchase in accordance with the following warranty terms and conditions.

Provision of this warranty is subject to:

- The HEATSTRIP product must be installed in accordance with the Installation Instructions and relevant electrical standards and codes.
- The HEATSTRIP product must be maintained and cleaned according to instructions detailed in the Installation Manual.
- There is no warranty expressed or implied with regard to capacity requirements. The selection of the unit or units depends entirely upon the system design and capacities as determined by the purchaser.
- The customer has not repaired, opened or altered the product in any unauthorised manner.
- This warranty excludes damage to the product or components arising from circumstances outside the control of Cook & Heat B.V., including, but not limited to, where the product is not used for intended purpose; where the product has been rectified in any way; incorrect installation; incorrect power supply; damaged caused during delivery; misapplication, misuse, abuse, vandalism, lack of maintenance or accident.
- Cook & Heat's obligations under this warranty are limited to repair or replacement at Cook & Heat B.V. of any components of the product which Cook & Heat B.V. identifies to its satisfaction to be defective.
- Transportation charges involved in return of the product to Cook & Heat B.V. is the sole responsibility of the customer.
- All products are inspected and tested before despatch and are at the risk of the purchaser after the shipment from Cook & Heat B.V., if not delivered by Cook & Heat B.V. to destination.
- Discolouration of the surface may occur after a period of time, this does not constitute a warrantable event.
- Twisting and bending of the heaters may occur, this does not constitute a warrantable event.
- No products or components will be supplied in advance of an examination of the faulty product or components by Cook & Heat B.V. or an authorized representative of Cook & Heat B.V.
- Cook & Heat B.V. does not participate in any site related costs or labour expenses incidental to replacement of parts, repairing, removing, installing, servicing, transportation or handling of parts to complete products, and assumes no liability on parts repaired or replaced without written authorisation. Cook & Heat B.V. shall not be liable for any default or delay in performance of its warranty obligations caused by any circumstances beyond its control, including, but not limited to, judicial or government restrictions, strikes, fires, floods, abnormal weather conditions, delayed supply of components.

Should products be determined as damaged on arrival, immediately notify the transport company of the condition and have them noted on the freight documents. If damage is discovered after unpacking, demand immediate inspection by the transportation company and insist that a record of the damage is made on the freight documentation.

The customer warrants using the product in accordance with:

- Any instructions provided to it by Cook & Heat B.V. from time to time.
- All government and local regulations, including but not limited to all relevant electrical, environmental laws and regulations governing the installation, storage, use, handling and maintenance of the goods.
- All necessary and appropriate precautions and safety measures relating to the installation, storage, use, handling and maintenance of goods.

DISTRIBUTOR DETAILS FOR EUROPE & UNITED KINGDOM

Distributed by:
Cook & Heat B.V.
www.heatstrip.eu

Manufactured by:
Thermofilm Australia Pty. Ltd.
17 Johnston Court
Dandenong South, Victoria, 3175 Australia

HEATSTRIP[®]

INDOOR RADIANT STRIP HEATERS



HANDLEIDING VOOR BEDIENING, INSTALLATIE EN ONDERHOUD



HEATSTRIP Indoor - EUROPA

De heater als designelement!





INHOUDSOPGAVE

Rev C Mar16

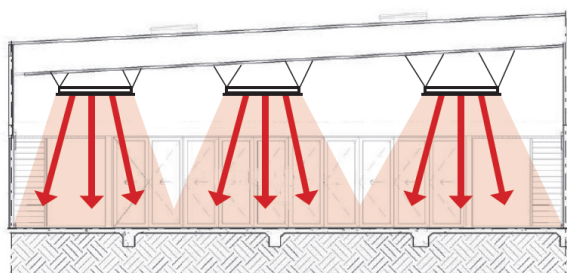
Productoverzicht _____	23
Specificaties _____	25
Puntverwarmingsprincipe _____	26
Keuzegids _____	27
Installatievereisten _____	28
Installatielocatie _____	29
Montagemogelijkheden _____	30
Standaard Bevestigingsbeugels _____	31
Hoekmontagebeugels _____	32
Montagebehuizing voor inbouw (FME) _____	33
End to End Montagebeugel _____	34
Hangende Montagebeugel _____	35
T-Bar Einbaurahmen-Montage _____	36
Wandcontroller timer met afstandsbediening _____	37
Installatie Wand Controller _____	38
Veiligheid en onderhoud _____	39
Garantievoorwaarden & condities _____	40



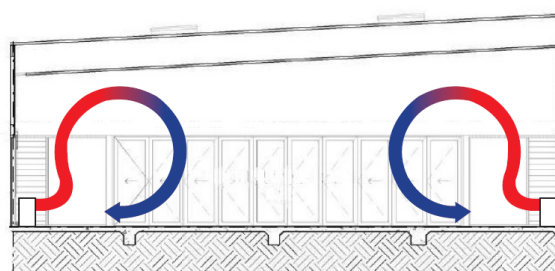
Productoverzicht

Waarom voor een Heatstrip elektrische heater kiezen voor uw binnenlocatie?

Omdat er in open binnenruimtes vaak een constante luchtstroom is, zijn veel heaters gebaseerd op convectiewarmte waarmee de lucht verwarmd wordt. Dit kan uitermate onpraktisch zijn voor dit soort locaties omdat de verwarmde lucht eenvoudig weggeblazen kan worden door natuurlijke luchtstromen. De Heatstrips straal heaters verwarmen objecten direct door middel van infrarood straling. Terwijl convectiekachels de lucht tussen objecten verwarmen, verwarmen straal heaters de oppervlakte van de objecten zelf. De Heatstrip elektrische heaters zijn effectiever in buitenruimtes en niet-geïsoleerde ruimtes omdat ze gericht warmte afgeven aan het object of aan mensen.



Stralingswarmte straalt direct naar beneden en verwarmt die ruimte die verwarmd moet worden.



Convectiewarmte kan verloren gaan in niet geïsoleerde ruimtes en stijgt op tegen het plafond.

Er zijn drie verschillende productseries in de Heatstrip®-productcategorie. Ze hebben elk een verschillende temperatuuroutput, waardoor ze geschikt zijn voor verschillende toepassingen. Hieronder vindt u een lijst met veelvoorkomende toepassingen om u te helpen de meest effectieve en efficiënte serie te kiezen. Dit is slechts een algemene gids; raadpleeg de producthandleiding voor elk product voor meer informatie.

HEATSTRIP Design (THH-modellen) is een premium heater met hoge temperatuur en is vooral bedoeld voor buitenruimtes met 1, 2, 3 of 4 afgesloten zijden en met een ideale montagehoogte van 2,1 m tot 2,7 m

HEATSTRIP Max (THX-modellen) is een heater met extreem hoge temperatuur voor niet-overdekte of open gebieden met een montagehoogte van 2,4 m tot 3,5 m.

HEATSTRIP Indoor (THS-modellen) is een heater met een gemiddelde intensiteit voor toepassingen in beschermde binnenruimtes

TOEPASSING	THX	THH	THS
Geïsoleerde binnenruimtes, klaslokalen, kantoren, badkamers, vochtige gebieden, droogruimtes	X	√	√
Buiten overdekt, café, veranda, patio, balkon met plafond van 3 m of lager	√	√	X
Buiten overdekt, café, veranda, patio, balkon met plafond van 3 m of hoger	√	X	X
Zeer open terrein buiten	√	X	X
Open ruimte binnen, magazijn, fabriek, productiefaciliteit, sportfaciliteiten	√	√	√
Puntverwarming binnen, boven tafels, montageruimtes	√	√	√



Heatstrip Indoor – Kenmerken en eigenschappen

Stijlvol, modern, slank en rank design

De nieuwe slanke vormgeving van de Heatstrip Indoor is het meest slanke design dat op de markt verkrijgbaar is. Het onopvallende design gaat op in elk interieur.

De Heatstrip Indoor is een effectieve, efficiënte oplossing om moeilijk te verwarmen ruimtes en open indoor ruimtes te verwarmen.

Het innovatieve design van de Heatstrip Indoor geeft een comfortabele en gelijkmatige warmte, tegen geringe kosten. Het unieke Australische warmte-element zorgt er voor dat 90% van de warmte direct gericht wordt op de te verwarmen ruimte, terwijl 10% wordt uitgestoten als convectie warmte. Deze hoge efficiency ratio betekent dat de Heatstrip Indoor een hoge heatings-waarde heeft en zeer geschikt is om een indoor ruimte te verwarmen.

Deze indoor heaters hebben een water protection rating van IP45. Dit houdt in dat zij alleen binnen gebruikt kunnen worden en niet tegen water bestand zijn.

Heatstrip prestaties

Het design van de Heatstrip Indoor heeft een uniek profiel met een kwalitatief hoogwaardig oppervlak. Het verbeterde design van het warmte-element en paneel zorgt voor een snelle warmteverdeling waardoor binnen een prettige temperatuur ontstaat.

Design Flexibility to Meet BCA requirements

De twee verschillende modellen en veel bevestigingsmogelijkheden binnen de indoor range voldoen aan de strenge eisen die opgelegd worden door de BCA voor indoor heating.

Geschikt voor veelzijdige toepassingen – commercieel / privé

De Heatstrip Indoor is ontworpen om zowel een enkele kamer te verwarmen als ook het verwarmen van een compleet stadion en kan een grote groep verwarmen maar ook één persoon. De Heatstrip Indoor is geschikt om vele ruimtes te verwarmen, zoals klaslokalen, winkels, fabrieken, kerken, showrooms, restaurants, magazijnen etc.

Veelzijdige montagemogelijkheden

Standaard worden er montagebeugels meegeleverd. Er zijn echter ook bevestigingsaccessoires beschikbaar zoals beugels voor een schuine wand, speciale inbouw units, verlengde bevestigingsbeugels, beugels om de Heatstrip te laten hangen en T-Bar bevestigingsmogelijkheden.

Minimaal onderhoud

De Heatstrip Indoor bevat geen bewegende onderdelen waardoor de heater vrijwel geluidloos werkt en praktisch onderhoudsvrij is.

Made in Australia

De Heatstrip Indoor is ontworpen, geproduceerd en geassembleerd in Australië en heeft een garantie van 24 maanden.



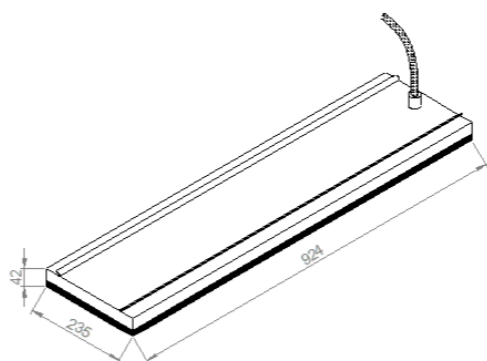


Specificaties

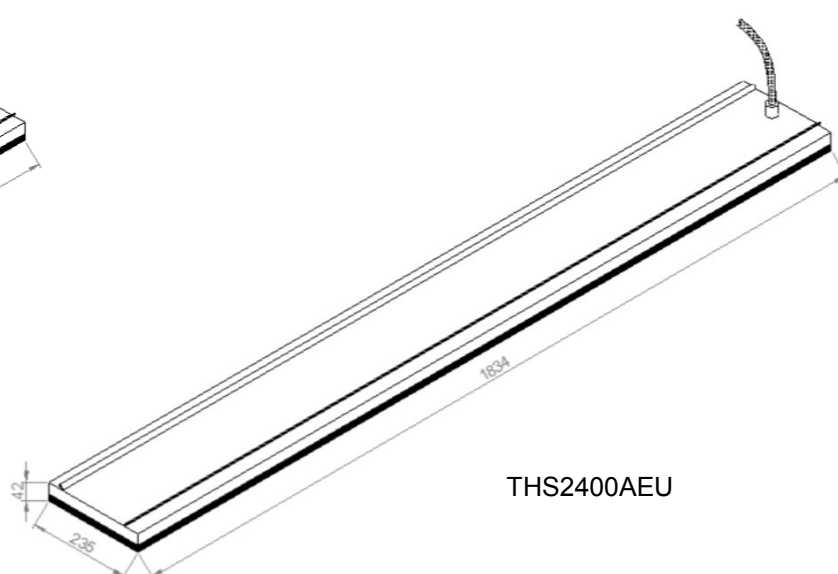
MODEL	VERMOGEN (WATT)	STROOM (AMPÈRE)	AFMETINGEN (MM)	GEWICHT (KG)	LENGTE KABEL (MM)	PLUG
THS1200AEU	1200	5.0	924x 235 x 48	6	1000	YES
THS2400AEU	2400	10	1834 x 235 x 48	11	1000	YES

MODEL

TYPE HEATER	Hangende elektrische heater met hoge intensiteit en grote geprofileerde oppervlakte van geanodiseerd aluminium.	
OUTPUT	Zie bovenstaande modeltabel	
SPANNING	230-240 volt nominaal bij 50-60 Hertz, 1-fase	
VERBINDING	3-aderige kabel 2,5 mm ²	
KEURMERKEN	AUSTRALIË/CE	
MONTAGEHOOGTE	MINIMAAL AANBEVOLEN MAXIMAAL	2.1 m 2.4 m to 2.7 m 3.0 m (voor hogere plafonds kunnen units verlaagd worden met optionele beugelsets of het gamma van Heatstrip Max)
MONTAGEMOGELIJKHEDEN	Geschikt voor montage aan plafond, muur of balk. Geschikt voor vaste parasol- of inbouwmontage. Ook geschikt voor verlengde montage met behulp van stijve bevestigingsbuizen en kettingbeugels.	
BESCHERMINGSGRAAD	IP45-bescherming tegen indringing van water uit alle richtingen	
LAND VAN HERKOMST	Australië	



THS1200AEU



THS2400AEU

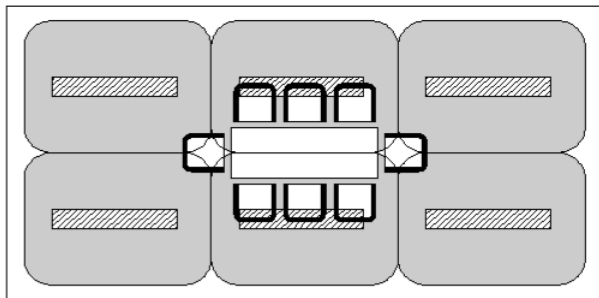


Puntverwarmingsprincipe

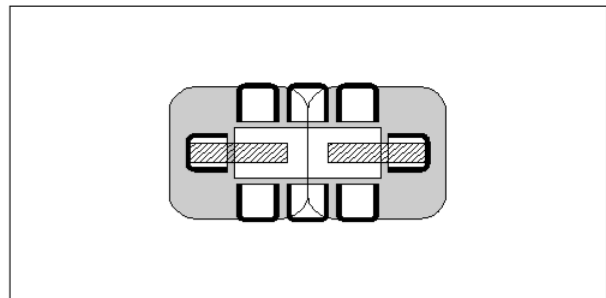
Bij de meeste toepassingen in buitenruimtes of moeilijk te verwarmen binnenruimtes zijn er twee mogelijkheden waar u uit kunt kiezen wat betreft de grootte en capaciteit van de vereiste heaters. De eerste mogelijkheid is het hele gebied van comfortwarme te voorzien op basis van de afmetingen van de ruimte, afhankelijk van of de hele ruimte gebruikt wordt. De tweede mogelijkheid is om puntverwarming toe te passen bij de gebieden die het meest gebruikt worden, zoals boven buitentafels, barbecues, loungehoeken, lopende banden of indoor werkplaatsen. Voor dit soort gebieden is puntverwarming vaak praktischer en efficiënter. Puntverwarming zorgt voor lagere aanschafkosten, maar ook lagere gebruikskosten. Met puntverwarming kunt u de ruimte indelen in zones, wat inhoudt dat alleen de gebruikte gebieden verwarmd worden, zoals tafels in een restaurant of een buitenterras.

De bovenste afbeelding toont een vergelijking tussen puntverwarming boven een tafel en het verwarmen van het hele gebied.

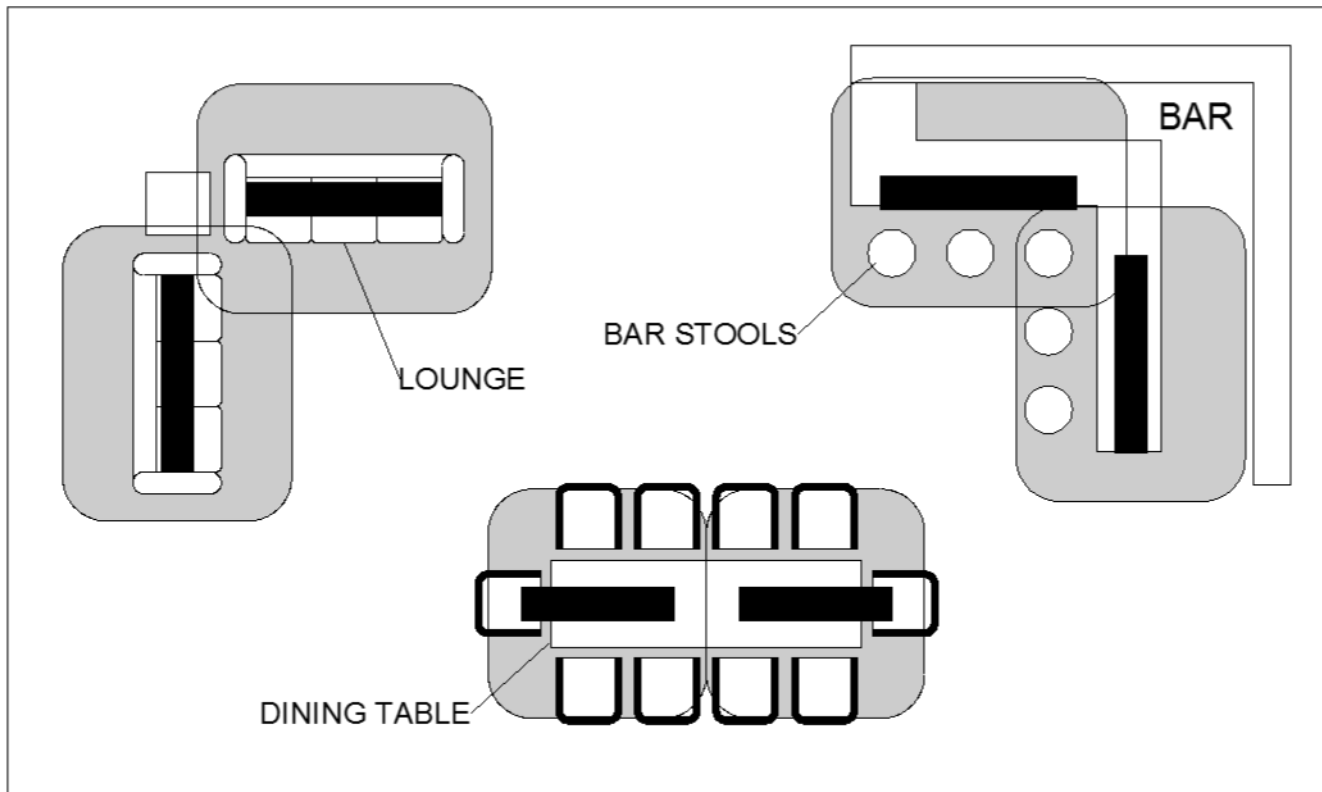
De onderste afbeelding toont de flexibiliteit van het gebruik van HEATSTRIP om een comfortabele omgeving te creëren, zelfs bij ongewone indelingen.



6 x THS2400AEU



2 x THS2400AEU





Keuzegids

Algemene aanbevelingen voor de Heatstrip Indoor

- De ideale bevestigingshoogte: 2,30 tot 2,70. Maximum hoogte is 3.0 meter voor een geïsoleerde binnenruimte
- Ideale bevestigingslocatie: Bevestig de Heatstrip aan het plafond, direct boven de te verwarmen ruimte (e.g. boven de tafel, zithoek etc.)

De hieronder vermelde tabel toont de dekking van elk Heatstrip Indoor model in m². Bijvoorbeeld voor een overdekte ruimte, model THS1200 zal 8 m² dekken en model THS2400 zal 16 m² dekken.

Model Indoor geïsoleerdm² Indoor overdekt m²

MODEL	INDOOR GEÏSOLEERDM (m ²)	INDOOR OVERDEKT (m ²)
THS1200AEU	12	8
THS2400AEU	24	16

De waarden vermeld in de hierboven geplaatste tabel zijn een indicatie en zijn afhankelijk van de individuele omstandigheden.

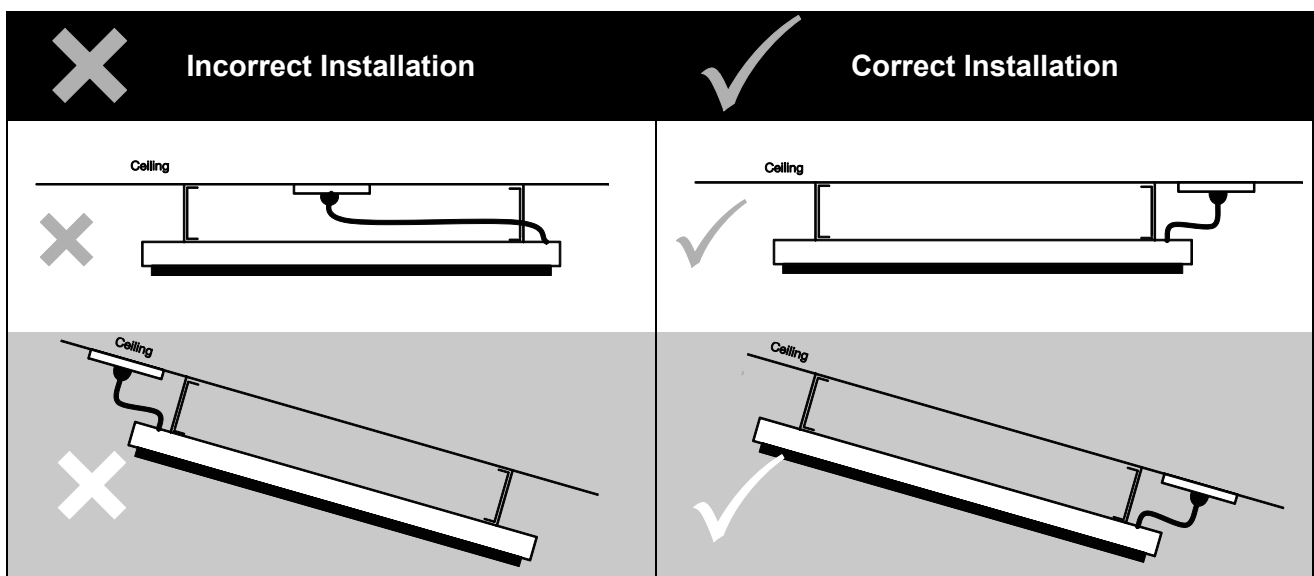




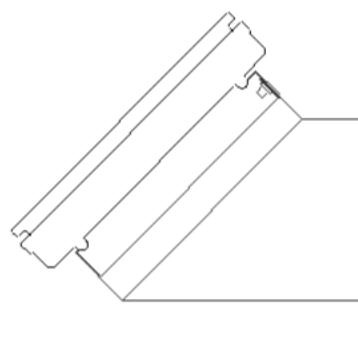
Installatievereisten

De ideale montagelocatie voor de HEATSTRIP Indoor Design is aan het plafond, recht boven het te verwarmen gebied. Indien dit niet mogelijk is, kan de HEATSTRIP Indoor aan de muur bevestigd worden en naar beneden gericht worden. Zorg er in dit geval voor dat de montagehoogte tussen de 2,1m en 3,0 m ligt.

- Voor montagehoogtes hoger dan 3,0 m raden we het gebruik van de optionele accessoires aan om de heater te verlagen tot 2,3 - 3,0 m. Dit verhoogt de effectiviteit van uw HEATSTRIP. Zie het hoofdstuk over montageaccessoires voor meer informatie.
- Elektrische aansluitingen/stopcontacten mogen zich nooit achter de heater bevinden. Ze moeten buiten de fysieke locatie van de heater geplaatst zijn om de opbouw van warmte achter de units te beperken.
- Indien de heater schuin wordt gemonteerd (bijv. gewelfd plafond), dient u ervoor te zorgen dat de elektrische aansluiting zich bij het laagste punt van de heater bevindt.



CEILING

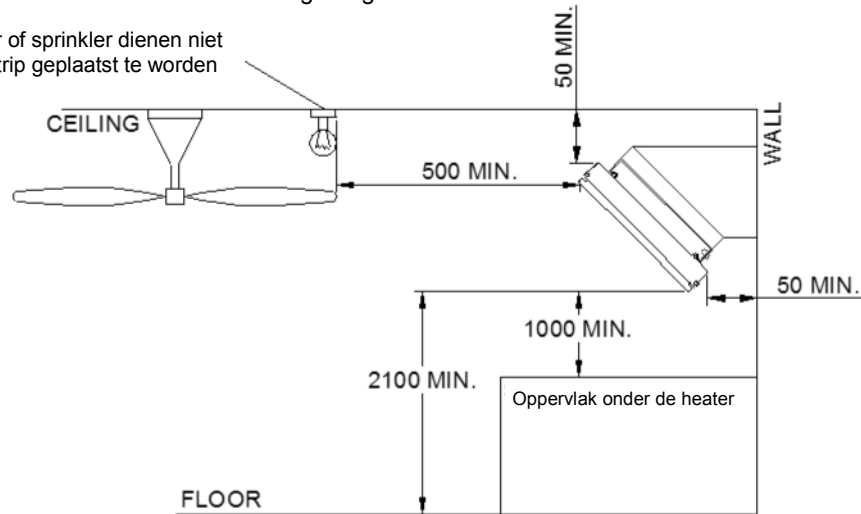


Het verwarmingelement mag nooit naar het plafond wijzen



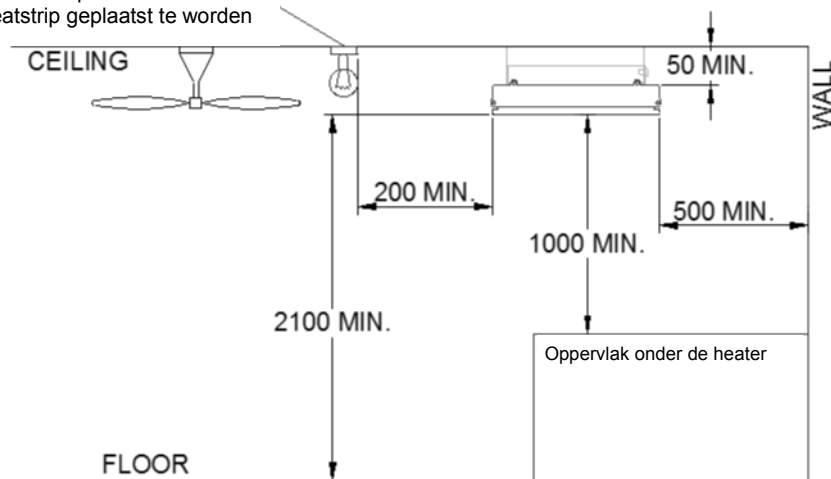
Installatielocatie — Het onderstaande diagram geeft de aanbevolen minimumafstanden weer.

Lamp, ventilator of sprinkler dienen niet onder de Heatstrip geplaatst te worden



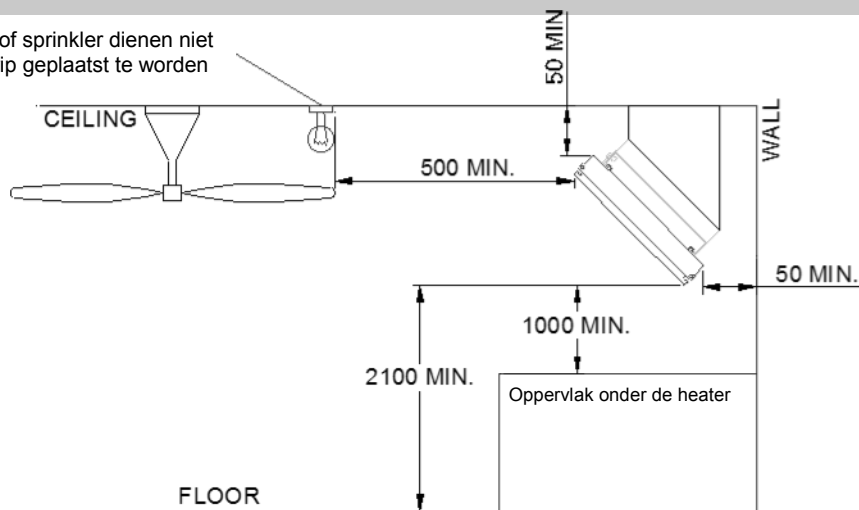
Angled Wall Installation

Lamp, ventilator of sprinkler dienen niet onder de Heatstrip geplaatst te worden



Ceiling Installation

Lamp, ventilator of sprinkler dienen niet onder de Heatstrip geplaatst te worden



Angled

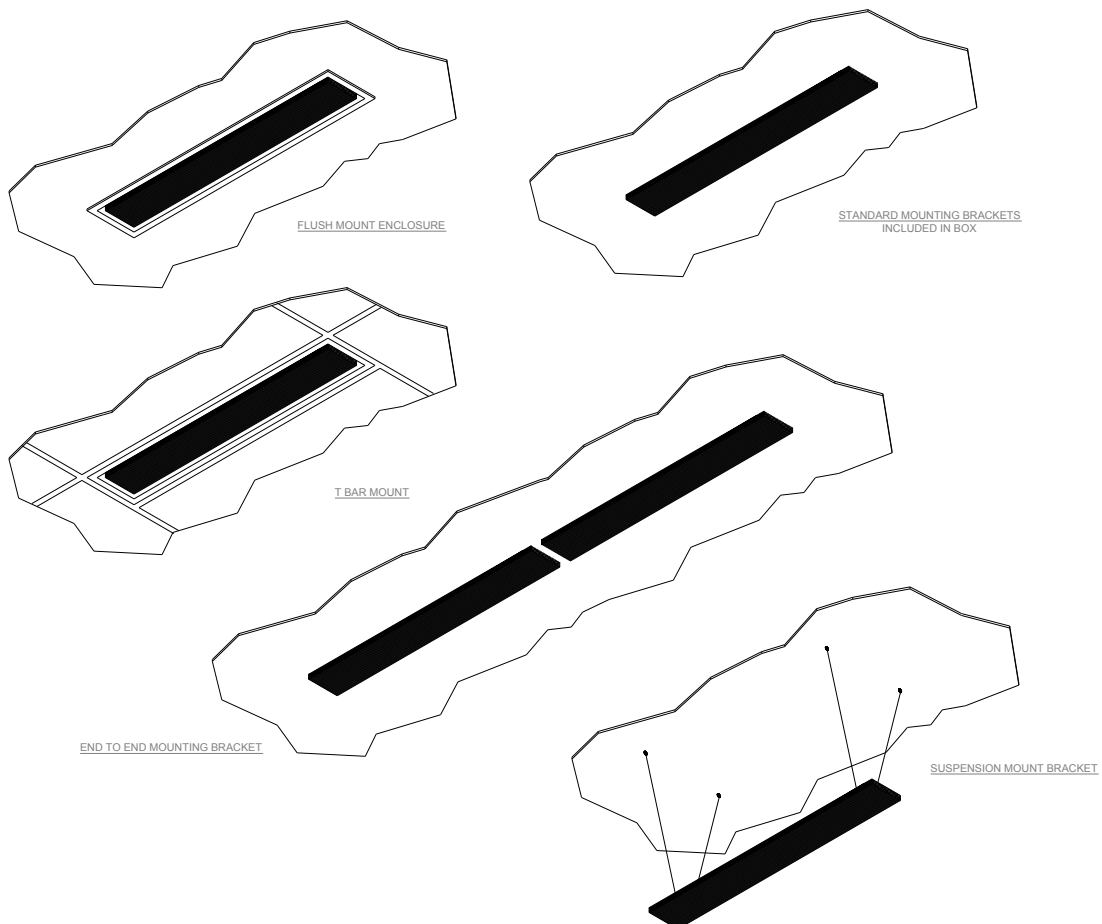
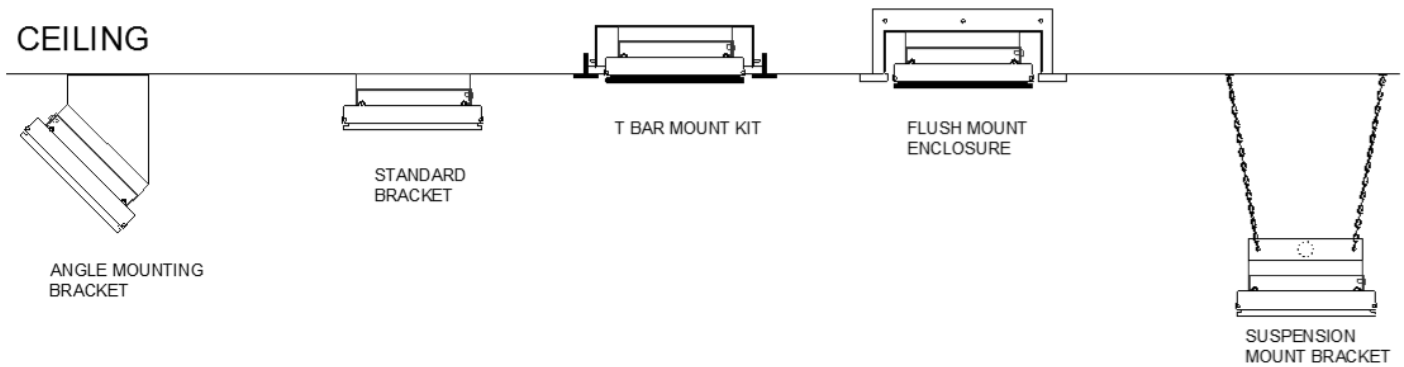


Montagemogelijkheden

Met de standaard bijgeleverde montagebeugels is de HEATSTRIP Indoor eenvoudig te monteren. Voor andere, moeilijkere locaties zijn er diverse montagemogelijkheden beschikbaar – zie de onderstaande diagrammen.

De HEATSTRIP Indoor kan op meerdere manieren bevestigd worden: rechtstreeks aan het plafond, schuin naar beneden gericht aan de muur, ingebouwd in het plafond, hangend aan kettingen of bevestigd end-to-end of twee units naast elkaar. Zie de volgende pagina's voor gedetailleerdere informatie over elke montagemogelijkheid.

CEILING





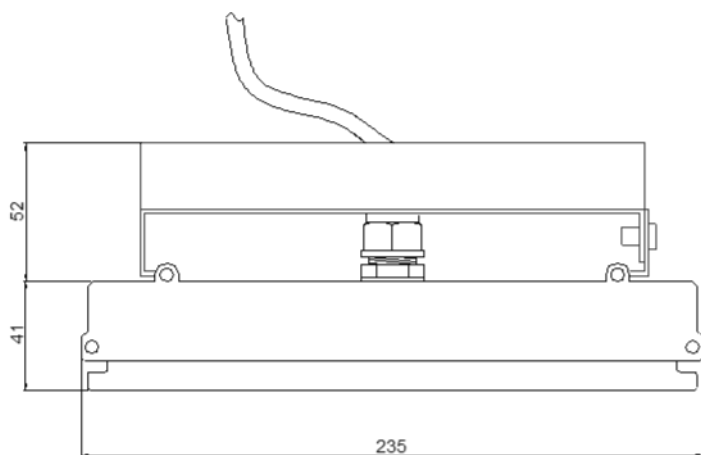
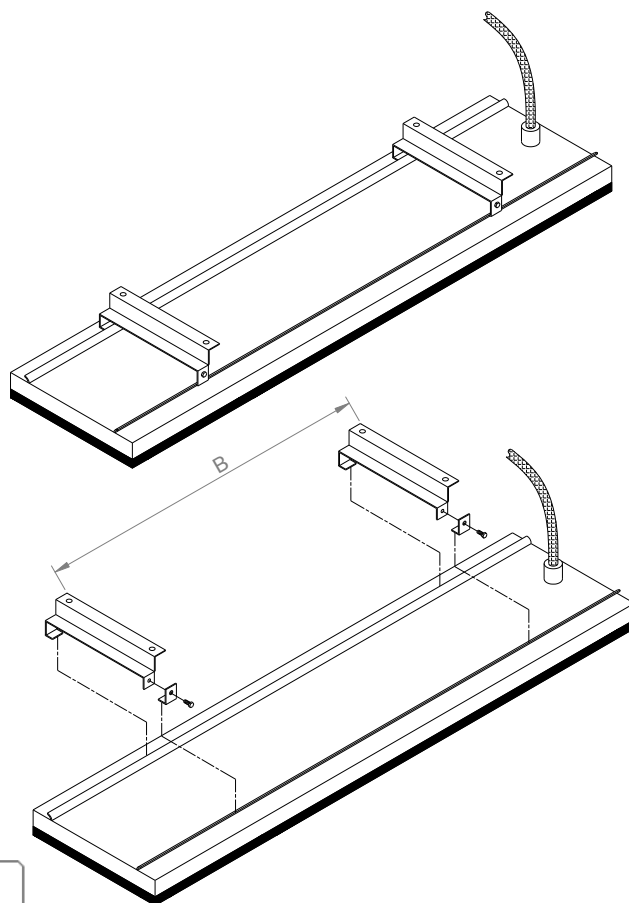
Standaard Bevestigingsbeugels

Met de standaard bijgeleverde montagebeugels is de HEATSTRIP® Design eenvoudig te monteren. Deze verstelbare beugels maken het mogelijk om de Heatstrip Indoor direct aan het plafond of muur te bevestigen.

De montagebeugels moeten bevestigd worden op een solide frame of plafond met een minimale afstand tussen de twee steunen. De minimale afstand, zie B, is voor elk model in de hieronder geplaatste tabel vermeld.

Indien de installatie gereed is, check of alle schroeven goed vast zitten en de unit veilig is.

MODEL	"B" MINIMUM DISTANCE (mm)
THS1200AEU	500
THS2400AEU	1000



Standaard Bevestigingsbeugels

PART No	PACKAGED DIMENSIONS (mm)	WEIGHT (kg)	MATERIALS
ZBRAK-92	200 x 50 x 50	0.5	MILD STEEL POWDER-COATED WHITE

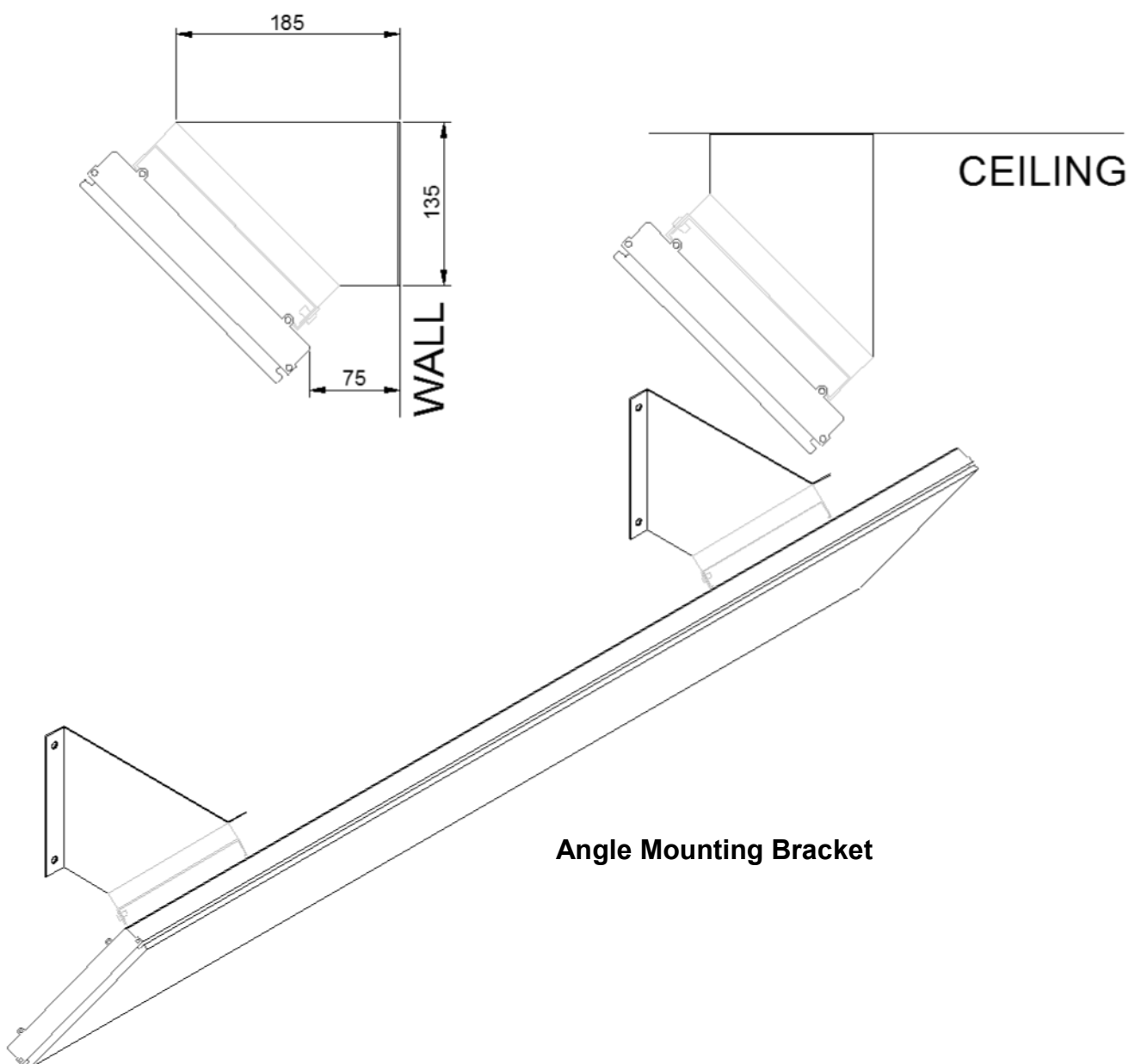


Hoekmontagebeugels

Ter bevestiging van de Heatstrip Indoor zijn er optioneel hoekmontagebeugels verkrijgbaar. Deze bevestigingsbeugels kunnen tegen het plafond of de muur bevestigd worden om de effectieve warmte naar de gewenste locatie te geleiden waar deze benodigd is.

Deze montagebeugels kunnen ondereen hoek van 45° worden ingesteld.

Indien de beugels zijn geïnstalleerd, check dat de minimale afstand gehandhaafd is. Schroeven zijn niet meegeleverd



PART No.	PACKAGED DIMENSIONS (mm)	WEIGHT (kg)	MATERIALS
THSAC-020	200 x 200 x 50	0.5	MILD STEEL POWDER-COATED WHITE

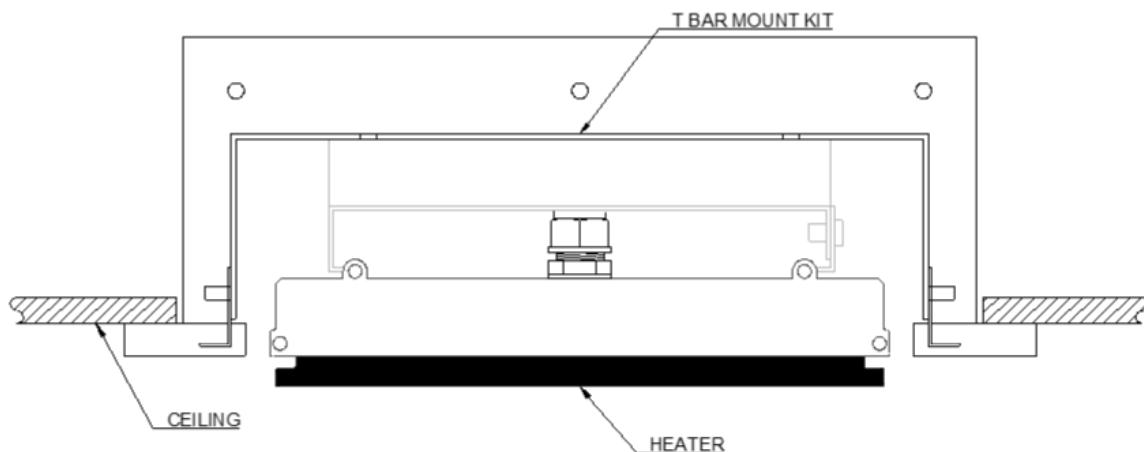
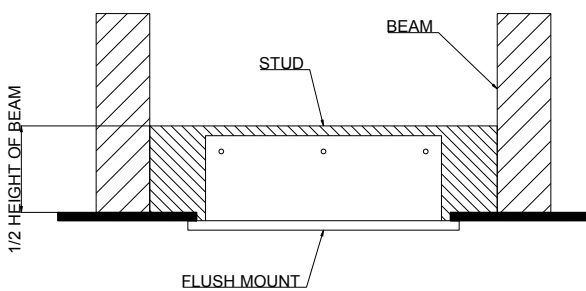
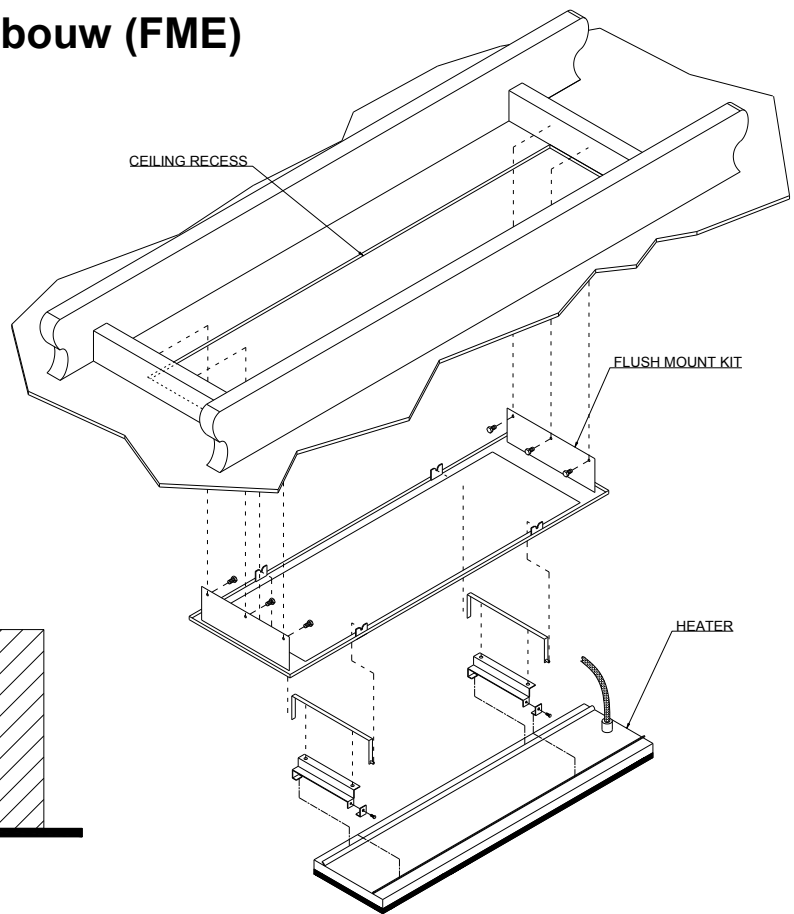


Montagebehuizing voor inbouw (FME)

The Flush Mount Enclosure is an ideal way to neatly install the Heatstrip Indoor into a ceiling. They are available for all Heatstrip Indoor models, and are supplied as a one-piece unit for mounting of heaters. Flush mounting can be used with plaster or wood lined ceiling materials.

An ideal mounting height is 2.1-2.7m. Maximum mounting heights should be strictly followed, otherwise the performance of the units may be reduced.

The fascia is made from white powdercoated mild steel.



SUITABLE FOR MODELS	PART No	HOLE CUTOUT DIMENSIONS (mm)	OVERALL DIMENSIONS (mm)	WEIGHT (kg)
THS1200AEU	THSAC-026	1020 x 325	1040 x 345 x 100	4
THS2400AEU	THSAC-028	1930 x 325	1950 x 345 x 100	5

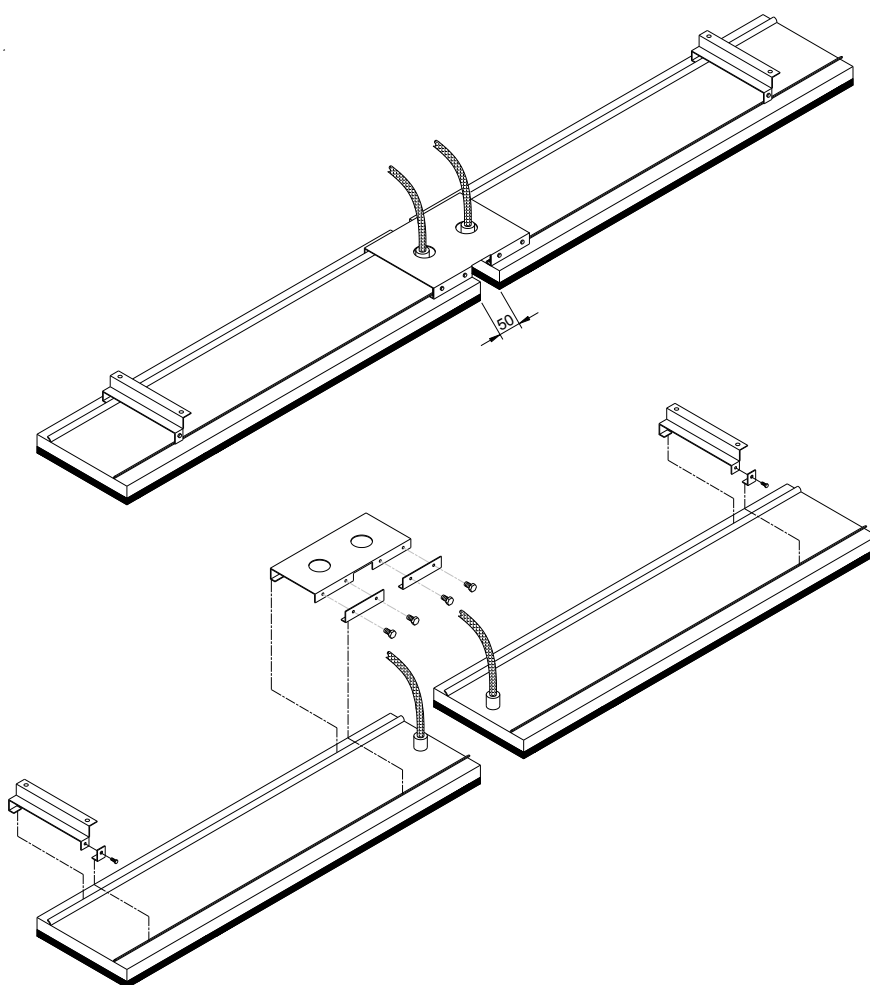


End to End Montagebeugel

Met de end-to-end beugel kunnen meerdere units in een rechte lijn verbonden worden voor maximale warmte en een aantrekkelijk design. Dit is ideaal voor lange rijen tafels of lopende banden, waar een constante warmtedekking vereist is.

Met de beugels kunnen units 50 mm uit elkaar geplaatst worden met een opening voor de stroomtoevoer. Zoals in onderstaand diagram vermeld is, dienen de units met de stroomsnoeren bij elkaar gemonteerd te worden.

De end-to-end beugel kan gebruikt worden met de standaard montagebeugel voor plafonds en muren.



PART No	PACKAGAED DIMENSIONS (mm)	WEIGHT (kg)	MATERIALS
THSAC-029	260x200x30	1	MILD STEEL POWDER-COATED WHITE



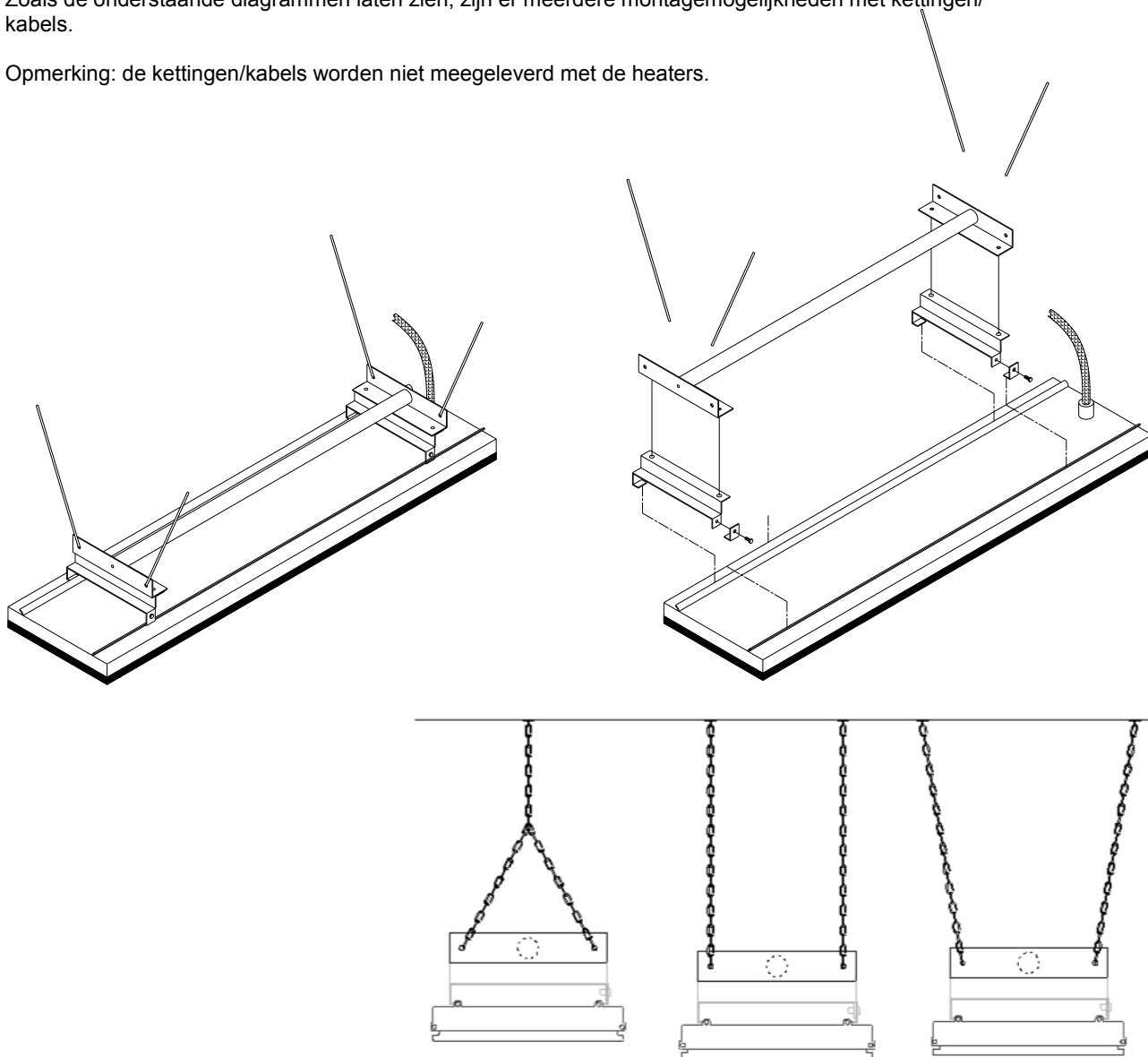
Hangende Montagebeugel

De hangende montagebeugel biedt een goedkope, eenvoudige en effectieve manier om de HEATSTRIP Indoor aan hoge plafonds op te hangen. Als het plafond hoger is dan 3,0 m in een omsloten, buitenruimte, of 2,7m in een open ruimte, raden wij aan de heater te verlagen tot een ideale montagehoogte van 2. 3m tot 2,7m.

De beugel is ontworpen voor gebruik met kettingen of kabels.

Zoals de onderstaande diagrammen laten zien, zijn er meerdere montage mogelijkheden met kettingen/ kabels.

Opmerking: de kettingen/kabels worden niet meegeleverd met de heaters.



SUITABLE FOR MODELS	PART No	PACKAGED DIMENSIONS (mm)	WEIGHT (kg)	MATERIALS
THS1200AEU	THSAC-021	650 x 200 x 50	2	MILD STEEL POWDERCOAT WHITE
THS2400AEU	THSAC-022	1350 x 200 x 50	2	MILD STEEL POWDERCOAT WHITE



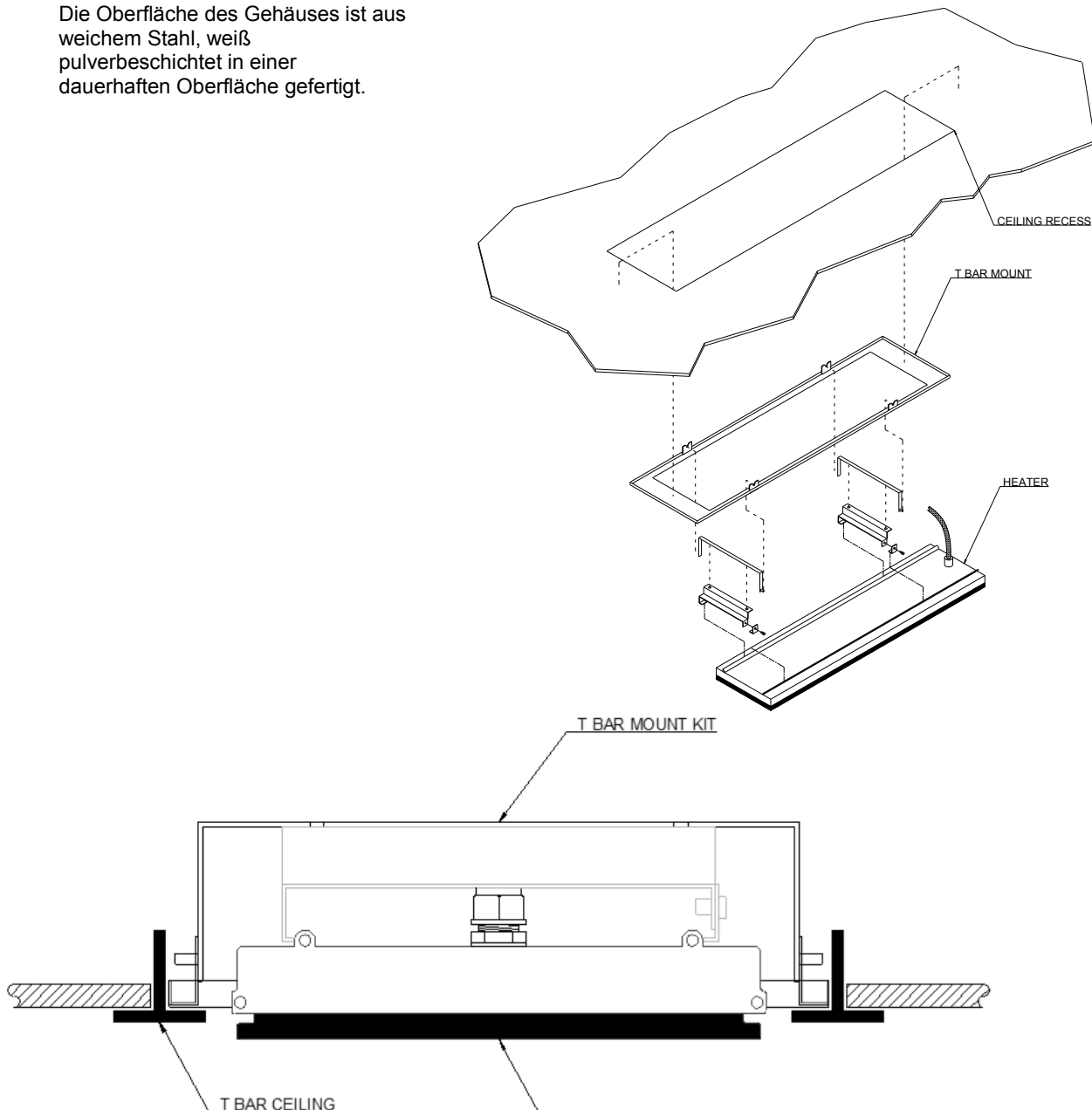
T-Bar Einbaurahmen-Montage

Der T-Bar Einbaurahmen ist so konzipiert, daß halbe Fliesen in einen Standard-1200 x 600 mm Einbau-Deckenraster passen.

Die ideale Montagehöhe liegt bei 2,1 m-2,4 m, mit einer maximalen Raumhöhe von 2,7 m in einer Indoor geschlossenen Umgebung.

Maximale Montagehöhen sollten unbedingt eingehalten werden, da sonst die Leistung der Geräte reduziert werden.

Die Oberfläche des Gehäuses ist aus weichem Stahl, weiß pulverbeschichtet in einer dauerhaften Oberfläche gefertigt.



SUITABLE FOR MODELS	PART No	HOLE CUTOUT DIMENSIONS (mm)	OVERALL DIMENSIONS (mm)	WEIGHT (kg)
THS800AEU	THSAC-023	1080 x 280	1090 x 290 x 100	4
THS1200AEU	THSAC-024	1080 x 280	1090 x 290 x 100	4



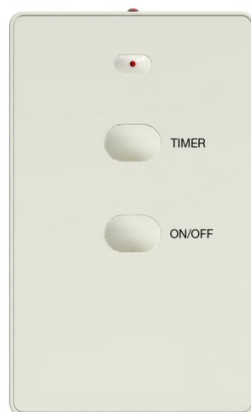
Wandcontroller met afstandsbediening

Deze controller is speciaal ontworpen en vervaardigd voor HEATSTRIP. Daarmee is optimaal gebruiksgemak en zuinig verbruik van uw verwarmers gegarandeerd.

De timerfunctie zorgt voor automatische werking van de verwarmers en biedt vier standen: voor 1 uur, 2 uur, 4 uur of permanente werking.

De timer is te bedienen op de plaats waar hij is geïnstalleerd of via afstandsbediening. De voorgeprogrammeerde tijdstellingen zijn voor 1 uur, 2 uur of 4 uur, of permanente werking van de verwarmers.

De afstandsbediening heeft een bereik van 10 meter en moet zich in het zicht van de wandschakelaar bevinden.



Meerdere units bedienen

Met één wandcontroller is het mogelijk meerdere verwarmers te bedienen tot een maximale belasting van 16 A. De wandcontroller is geschikt voor 16 A en 220-240 Volt. Voor hogere stroomopname adviseren wij uw elektricien in te schakelen om een relais te installeren dat meerdere units verbindt.

Montage

De TT-MTR is ontworpen voor installatie in een standaard Europese wandverbindingsdoos. Ook inbouwmontage in de wand is mogelijk. Uw elektricien kan dit apparaat installeren.

De controller dient geïnstalleerd te worden volgens uw lokale bedradingsrichtlijnen.

Bediening

Druk op de 'ON/OFF'-toets om het apparaat aan en uit te schakelen.

Druk op de 'TIMER'-toets om de timer in te stellen op een werkingsduur van 1, 2 of 4 uur. Het timerindicatielampje geeft aan welke tijdstelling is geselecteerd. De timer start de verwarmers en schakelt deze automatisch uit als de vooraf ingestelde tijd is verstreken.

Veiligheid

De TT-MTR controller moet worden geïnstalleerd op een droge plaats. Hij is niet geschikt voor installatie op een plaats waar de unit in aanraking kan komen met regen of water.

Zorg dat de aansluitingen correct zijn verbonden.

Dit apparaat is niet bedoeld voor gebruik door personen (inclusief kinderen) met verminderde fysieke, sensorische of intellectuele capaciteiten, of met gebrek aan ervaring en kennis, tenzij dat onder toezicht gebeurt of ze geïnstrueerd zijn over het gebruik van dit apparaat door een persoon die verantwoordelijk is voor hun veiligheid. Houd toezicht op kinderen om ervoor te zorgen dat ze niet met het apparaat spelen.

Onderhoud

De TT-MTR Controller is gemaakt van duurzame materialen, maar regelmatige verzorging en onderhoud van uw controller helpt de levensduur van het product te verlengen.

Stof de controller regelmatig af om het oppervlak schoon te houden. Door dit minimaal elke drie maanden te doen verzamelt zich minder vuil en blijft het apparaat er optimaal uitzien.

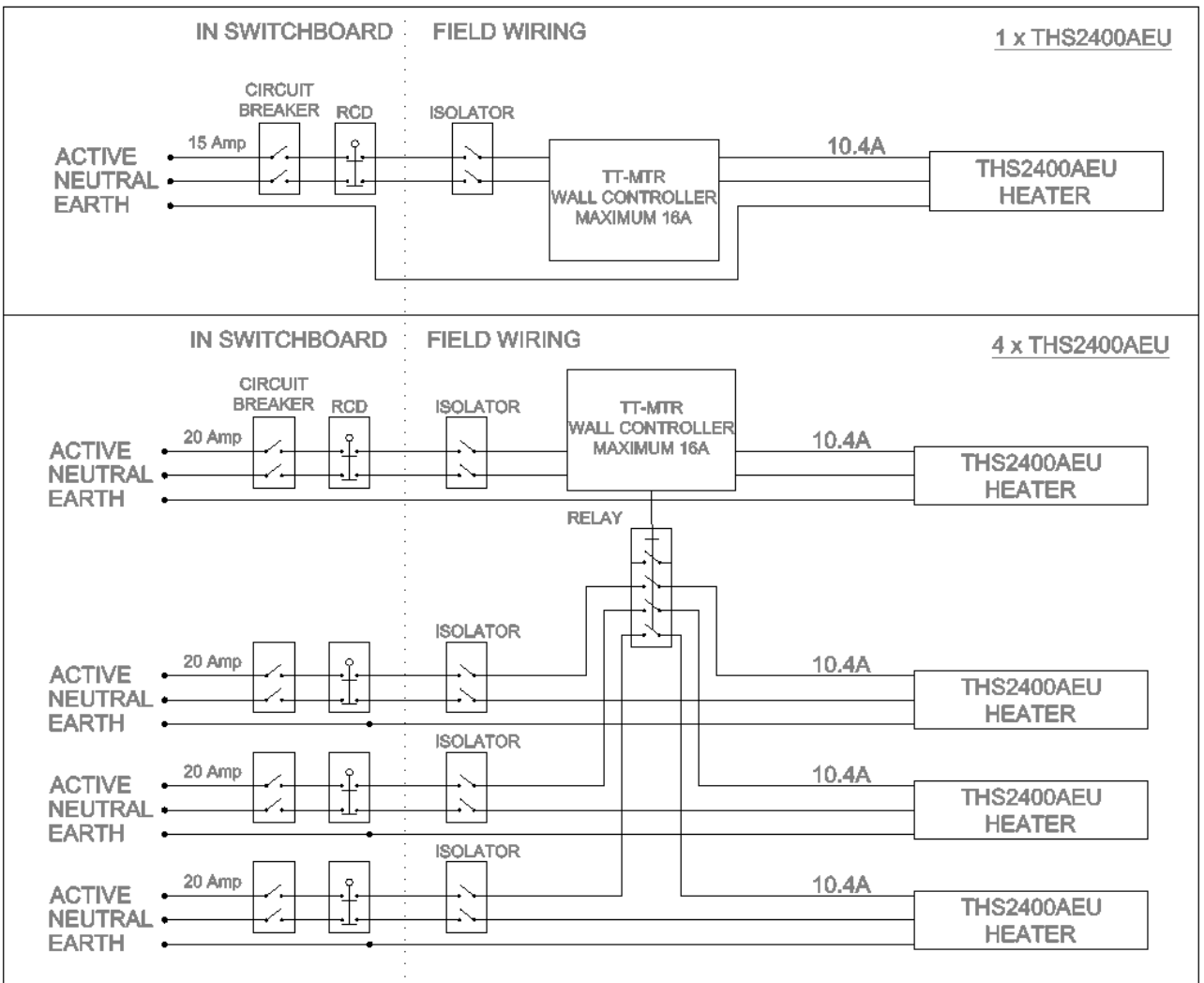
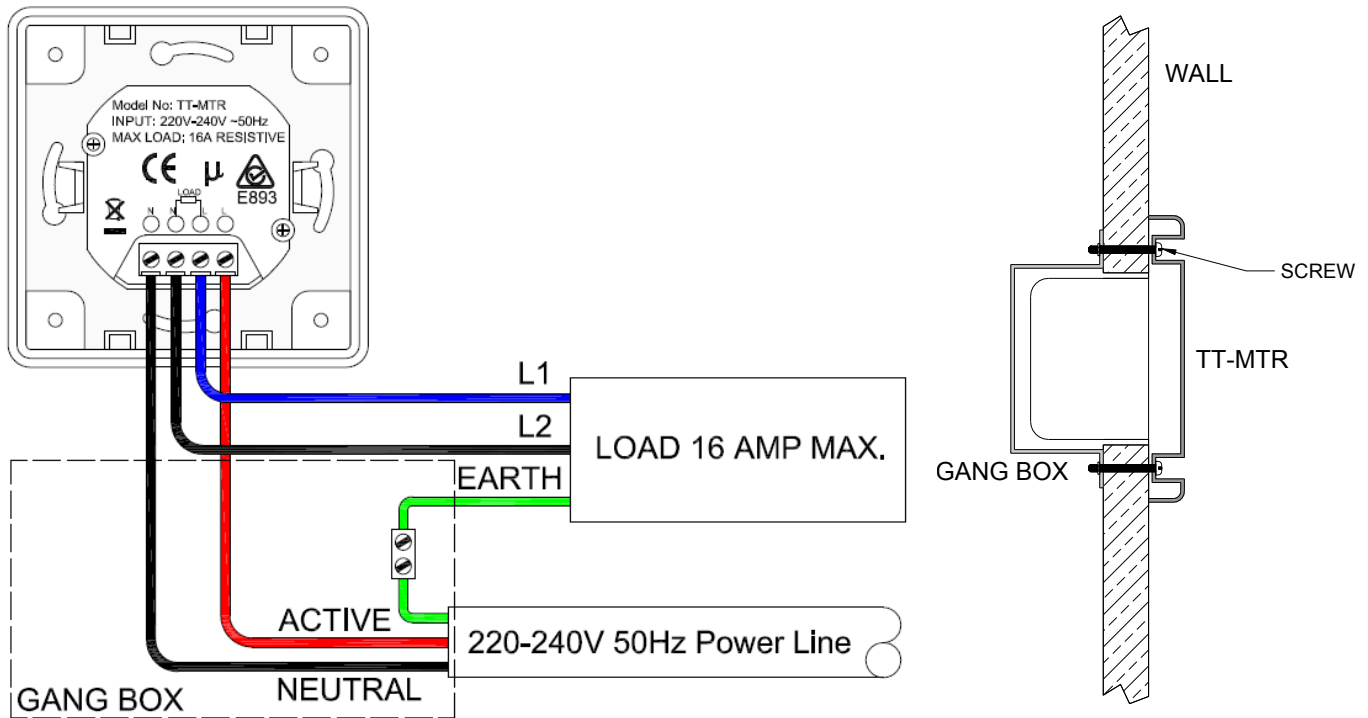
Gebruik voor het reinigen van de controller geen schurende materialen of producten, inclusief oplosmiddelen, op citrus gebaseerde reinigingsmiddelen of andere agressieve reinigingsproducten. Gebruik geen water of een vochtige doek om de controller te reinigen.

Zorg dat bij het bedienen van de controller uw handen schoon zijn of dat u handschoenen draagt, omdat vet en vuil het oppervlak aantasten.

MODEL	MAXIMALE VOLTAGE (Volts)	MAXIMALE AMPÈRES (Amps)	VERPAKKINGS-AFMETINGEN (mm)	GEWICHT (kg)
TT-MTR	220—240	16	80 x 80 x 42	0.5



Installatie Wand Controller





Veiligheid

HEATSTRIP Design beschikt over beschermingsgraad IP45. Dit houdt in dat de unit beschermd is tegen indringing van water vanuit alle richtingen. De HEATSTRIP kan zonder problemen schoongemaakt worden.

HEATSTRIP is uitgebreid getest in laboratoria, de fabriek van Thermofilm in Melbourne en in de praktijk in Australië en daarbuiten. Dankzij al deze testen is de klant verzekerd van een product van zeer hoge kwaliteit.

Onafhankelijk laboratoriumonderzoek bevestigt volledige compliance met Australische en andere internationale standaarden, zoals CE, AS/ANZ en UL/CSE.

HEATSTRIP is Klasse 1-apparatuur en moet geaard zijn.

Als de heater is ingeschakeld, wordt hij ZEER HEET. Raak geen enkel onderdeel van de heater aan als deze is ingeschakeld. Raak geen enkel onderdeel aan tot dertig minuten nadat de heater is uitgeschakeld.

Dit apparaat is niet bedoeld voor gebruik door personen (waaronder kinderen) met verminderde lichamelijke, zintuiglijke of verstandelijke vermogens of door personen met een gebrek aan ervaring en kennis, tenzij zij onder toezicht staan van of instructies ontvangen over het gebruik van het apparaat van een persoon die verantwoording draagt voor hun veiligheid. Kinderen dienen in de gaten gehouden te worden om ervoor te zorgen dat zij niet met het apparaat spelen.

Voorkom dat kabels, meubilair, brandbare materialen of andere items in contact komen met de oppervlakte van de heater.

Indien geïnstalleerd in een vochtige ruimte dienen de schakelaars of regelaars van de heater buiten het bereik van personen in bad of onder de douche geplaatst te worden.

De heater dient volgens de installatievereisten geplaatst te worden, met name wat betreft de minimumafstanden. De heater dient op een stijve beugel of bevestigingspunt bevestigd te worden.

De heater dient niet recht onder of voor een stopcontact bevestigd te worden.

In het geval van een kapot of beschadigd stroomsnoer dient het apparaat teruggebracht te worden naar de winkel waar het gekocht is voor retournering naar Cook & Heat B.V. voor reparatie.

Onderhoud

De HEATSTRIP is gemaakt van duurzame materialen, maar regelmatig onderhoud kan de levensduur van uw heater verlengen.

Wij raden u aan de heater af te spoelen en de oppervlaktes van de heater met een droge doek met een mild schoonmaakmiddel schoon te maken om opgehoopt vuil te verwijderen. Spoel de heater vervolgens af en zorg dat er geen resten van het schoonmaakmiddel achterblijven.

Chemische stoffen in de lucht, waaronder sigarettenrook, luchtvervuiling, etc., beschadigen de oppervlakte van de heater. In dit geval is extra schoonmaak en onderhoud mogelijk vereist. Door de heater ten minste elke drie maanden schoon te maken, wordt ophoping tegengegaan en blijft de heater mooi. Indien de heater zich in een corrosieve omgeving bevindt, bijv. omdat deze in aanraking kan komen met zout, raden wij u aan de heater elke week schoon te maken door er zoet water op te sprayen. Schakel de heater na het schoonmaken twintig minuten in om eventuele waterresten te laten drogen en watervlekken te voorkomen.

Voordat u de heater gaat schoonmaken of inspecteren, dient de heater volledig uitgeschakeld en afgekoeld te zijn.

Gebruik geen schuurmiddelen of -producten om de heater schoon te maken, zoals oplosmiddelen, schoonmaakmiddelen op citrusbasis of andere ruwe schoonmaakproducten.

Zorg ervoor dat uw handen schoon zijn tijdens het bedienen van de heater of trek handschoenen aan, omdat vet en vuil de oppervlakte van de heater kunnen beschadigen. Gebruik geen hogedrukreinigers om de heater schoon te maken; gebruik alleen fijne waterspray.



Warranty Terms & Conditions

Algemene voorwaarden garantie

Cook & Heat B.V. garandeert aan de oorspronkelijke eigenaar dat HEATSTRIP Design-producten vrij zijn van materiaaldefecten en constructiefouten voor een periode van 24 maanden na datum van aankoop in overeenstemming met de volgende algemene voorwaarden:

Dekking van deze garantie is onderhevig aan de volgende voorwaarden:

- Het HEATSTRIP-product dient volgens de installatievereisten en relevante wet- en regelgeving geïnstalleerd te zijn.
- Het HEATSTRIP-product dient volgens de instructies in de installatiehandleiding onderhouden en schoongemaakt te worden.
- Er bestaat geen garantie, expliciet of impliciet, omtrent capaciteitsvereisten. De keuze voor een unit of units is volledig afhankelijk van het ontwerp van het systeem en de capaciteiten zoals bepaald door de koper.
- De klant dient het product op geen enkele ongeoorloofde wijze gerepareerd, geopend of aangepast te hebben.
- Deze garantie dekt geen schade aan de producten of onderdelen die is veroorzaakt door oorzaken buiten de macht van Cook & Heat B.V., waaronder, maar niet beperkt tot, oneigenlijk gebruik van het product, reparatie van het product, onjuiste installatie, onjuiste stroomvoorziening, schade veroorzaakt tijdens transport, foutieve toepassing, verkeerd gebruik, misbruik, vandalisme, gebrek aan onderhoud of een ongeluk.
- De verplichtingen van Cook & Heat B.V. zijn beperkt tot reparatie of vervanging van onderdelen die naar mening van Cook & Heat B.V. defect zijn.
- Garantie is beperkt tot reparatie of vervanging van onderdelen van het product die naar mening van Cook & Heat B.V. defect zijn.
- Transportkosten als gevolg van retournering van het product naar de fabriek van Cook & Heat B.V. (of een andere locatie schriftelijk erkend door Cook & Heat B.V.) zijn voor rekening van de klant.
- Alle producten worden voorafgaand aan verzending geïnspecteerd en getest en zijn na verzending vanuit Cook & Heat B.V. voor risico van de koper indien het transport niet door Cook & Heat B.V. wordt verzorgd.
- Op den duur kan de oppervlakte verkleuren; dit wordt niet gedekt door deze garantie.
- De heaters kunnen verdraaien en verbuigen; dit wordt niet gedekt door deze garantie.
- Producten of onderdelen worden pas geleverd na een inspectie van het defecte product of onderdelen door Cook & Heat B.V. of een erkende vertegenwoordiger van Cook & Heat B.V.
- Cook & Heat B.V. betaalt niet mee aan locatiekosten of arbeidskosten voortkomend uit het vervangen, repareren, verwijderen, installeren, onderhouden, transporteren of verwerken van onderdelen van complete producten, en is niet verantwoordelijk voor onderdelen die gerepareerd of vervangen zijn zonder schriftelijke toestemming. Cook & Heat B.V. is niet aansprakelijk voor het niet kunnen voldoen aan de verplichtingen van deze garantie of een vertraging daarvan veroorzaakt door omstandigheden buiten zijn macht, inclusief, maar niet beperkt tot, wettelijke of overheidsbeperkingen, stakingen, branden, overstromingen, extreme weersomstandigheden en vertraagde levering van onderdelen.

Indien producten bij ontvangst beschadigd zijn, dient u het transportbedrijf onmiddellijk op de hoogte te stellen van de schade en deze op de vrachtbrief te vermelden. Indien er na het uitpakken schade wordt vastgesteld, eis dan onmiddellijke inspectie van het vervoersbedrijf en zie erop toe dat de schade wordt vermeld op de vrachtbrief.

De klant belooft het product te gebruiken in overeenstemming met:

- Alle instructies die Cook & Heat B.V. van tijd tot tijd geeft.
- Alle wet- en regelgeving, inclusief, maar niet beperkt tot, alle relevante elektrotechnische normen en milieuwetten en -regels omtrent installatie, opslag, gebruik, verwerking en onderhoud van de goederen.
- Alle noodzakelijke en relevante voorzorgs- en veiligheidsmaatregelen met betrekking tot installatie, opslag, gebruik, verwerking en onderhoud van de goederen.

Gedistribueerd door:

Cook & Heat B.V.

www.heatstrip.eu

Geproduceerd door:

Thermofilm Australia Pty Ltd

17 Johnston Court

Dandenong South

Victoria 3175 Australia

HEATSTRIP[®]

INDOOR RADIANT STRIP HEATERS



MANUEL D'UTILISATION, D'INSTALLATION ET D'ENTRETIEN



HEATSTRIP Indoor - EUROPE

Le radiateur design !





CONTENU

Rev C Mar16

Aperçu du produit _____	43
Spécifications _____	45
Principe du chauffage localisé _____	46
Guide de sélection _____	47
Installation _____	48
Lieu d'installation _____	49
Options de fixation _____	50
Les supports de fixation standard _____	51
Supports de fixation de montage en angled _____	52
Flush Mount Enclosure _____	53
Support de fixation d'extrémité à extrémité _____	54
Extension pour support de fixation _____	55
T-Bar Mount _____	56
Contrôleur mural avec commande à distance _____	57
Installation contrôleur mural _____	58
Sécurité et entretien _____	59
Garantie _____	60

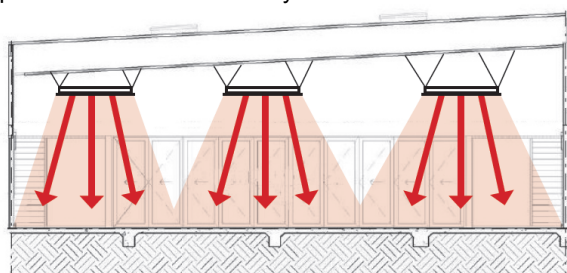


Aperçu du produit

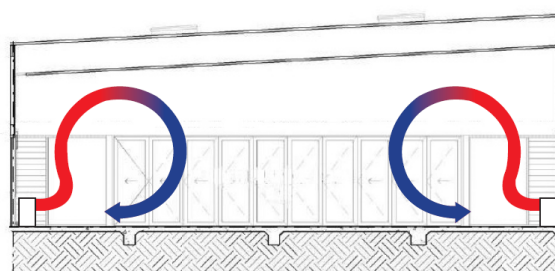
Pourquoi choisir les radiateurs électriques rayonnants HEATSTRIP en extérieur ou dans les pièces difficiles à chauffer?

En raison du mouvement d'air constant qui balaie généralement les espaces extérieurs ou intérieurs ouverts, de nombreux radiateurs conventionnels pour patios s'appuient sur le principe de la convection en chauffant l'air environnant. Cette solution n'est pas pratique car l'air chauffé est rapidement chassé par le mouvement naturel de l'air. Les radiateurs rayonnants transfèrent directement la chaleur aux objets grâce à des ondes infrarouges.

Alors que les convecteurs chauffent l'air qui se trouve entre les objets, les radiateurs rayonnants chauffent la surface des objets eux-mêmes. Les radiateurs électriques rayonnants HEATSTRIP sont plus efficaces à l'extérieur et dans les pièces mal isolées car ils chauffent directement les personnes et les objets qui se trouvent dans leur rayon d'action.



Au dessus de: La chaleur rayonnante est dirigée vers le bas à l'endroit où c'est nécessaire, et peut être tournée pour chauffer les zones occupées.



Au dessus de: Chaleur peut être perdue dans les zones non isolées ou monter naturellement vers le haut dans une pièce avec grande hauteur sous plafond

La catégorie HEATSTRIP® associe 3 séries de produits.

Chaque série produit une température différente et correspond donc mieux à certaines applications. Le tableau ci-dessous propose une liste des applications les plus courantes et permet de choisir la série la plus efficace en fonction de l'application choisie. Les critères pris en compte sont de nature générale, se reporter au manuel de chaque produit pour plus d'informations

HEATSTRIP Design (modèles THH) est un radiateur haute température principalement utilisé en extérieur, dans les lieux clos sur 1, 2, 3 ou 4 côtés, avec une hauteur d'installation idéale comprise entre 2,1 m et 2,7 m.

HEATSTRIP Max (modèles THX) est un radiateur très haute température utilisé dans des lieux ouverts ou non couverts, dont la hauteur d'installation se situe entre 2,4 m et 3,5 m.

HEATSTRIP Indoor (modèles THS) est un radiateur d'intensité moyenne utilisé à l'intérieur dans les lieux protégés.

APPLICATION	THX	THH	THS
Pièces intérieures isolées, salles de classe, bureaux, salles de bains, zones humides, salles de séchage	X	√	√
Espace extérieur couvert, café, véranda, patio, balcon, hauteur de plafond de 3 m ou moins	X	√	X
Espace extérieur couvert, café, véranda, patio, balcon, hauteur de plafond de 3 m ou plus	√	X	X
Espace extérieur fortement exposé	√	X	X
Espace intérieur ouvert, entrepôt, usine, zone de production, installation sportive	√	√	√
Chauffage localisé à l'intérieur, au-dessus de tables, lieux de rassemblement	√	√	X



Heatstrip Indoor — Caractéristiques & Avantages

Élégant, moderne, brillant et léger

Le nouveau design à la fois moderne et léger du Heatstrip Indoor le dote du profil le plus élégant du marché. Il s'intégrera avec élégance et harmonie dans tous les environnements ou décors.

Solution de chauffage efficace et fonctionnelle pour tous les espaces intérieurs ouverts et difficiles à chauffer

Le concept innovant du HEATSTRIP® permet de répartir la chaleur de façon confortable et uniforme depuis la surface à couvrir.

Jusqu'à 90% de l'énergie calorifique est dirigée vers l'espace à chauffer, tandis que 10% est émis comme chaleur par convection. Ce haut degré d'efficacité implique une valeur de chauffage supérieure.

Ces radiateurs d'intensité moyenne sont classifiés au niveau de protection contre l'eau IP45 améliorés et adaptés particulièrement au chauffage en intérieur.

Performances accrues du Heatstrip

Le HEATSTRIP Indoor est conçu avec un profil unique doté d'une surface élevée pour répandre la chaleur de façon efficace et fonctionnelle. La conception améliorée du panneau de chauffage garantit une répartition rapide de la chaleur afin d'assurer une chaleur confortable idéale à l'intérieur.

Flexibilité du design conforme aux normes BCA

4 différents modèles et une multitude d'options de montage disponibles permettent de créer des systèmes de chauffage innovants pour répondre aux exigences strictes BCA.

Adapté à de multiples applications — usage commercial & particulier

Le HEATSTRIP Indoor peut être conçu pour chauffer confortablement une seule pièce ou un grand stade, pour un individu ou un grand groupe de personnes.

Le Heatstrip Indoor est idéal pour une large gamme d'applications telles que les salles de classe, les salles de conférences, les installations sportives, les magasins, les usines, les églises, les restaurants, les ateliers, les salles d'exposition, les garderies, les bureaux, le chauffage industriel, les salles de danse et de yoga ainsi que les chambres, les salles de séjour, les salles de bains, etc.

Des options de montage multiples pour une installation facile

Les supports de fixation standard au plafond sont fournis et des supports de fixation en option sont disponibles pour être montés sur un mur incliné ou un plafond plan ; montage au plafond avec barre en T et montage en suspension par câble/chaîne.

Entretien minimal

Le HEATSTRIP® Indoor ne comporte aucune pièce mobile interne pour garantir un fonctionnement silencieux et pratiquement sans maintenance.

Produit Australien

Conçu, créé et fabriqué en Australie, le HEATSTRIP® Indoor est complètement couvert par une garantie résidentielle de 24 mois et une garantie commerciale de 12 mois.

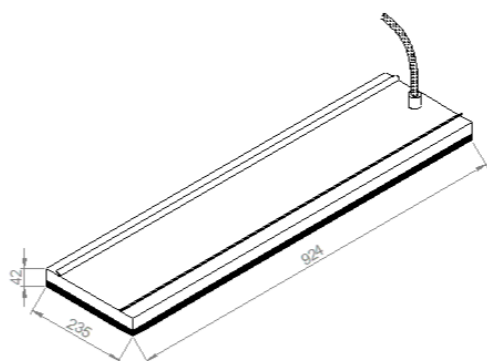




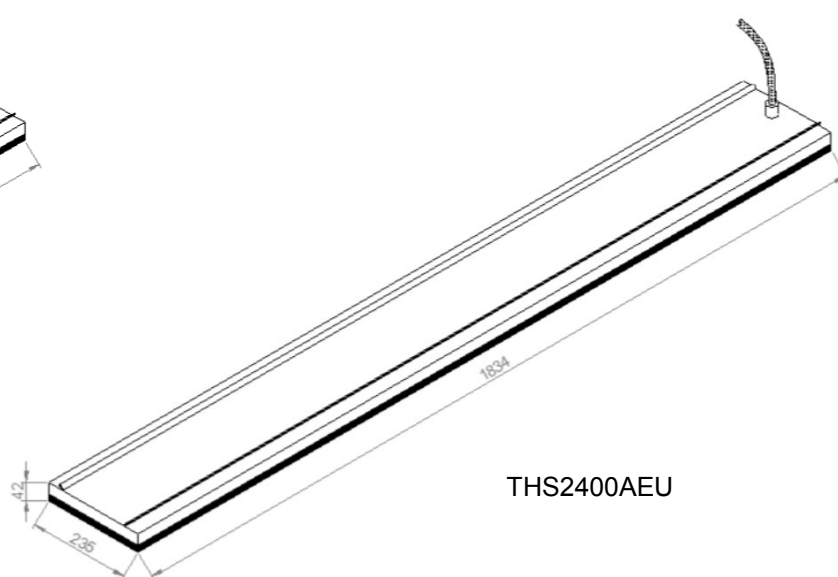
Spécifications

MODÈLE	PUISSANCE (WATTS)	INTENSITÉ (AMPÈRES)	DIMENSIONS (mm)	POIDS (kg)	LONGUEUR DU CÂBLE (MM)	PLUG
THS1200AEU	1200	5.0	924x 235 x 48	6	1000	YES
THS2400AEU	2400	10	1834 x 235 x 48	11	1000	YES

TYPE DE RADIATEUR	Radiateur électrique rayonnant suspendu de forte intensité avec surface en alliage profilé	
PUISSANCE	Se reporter au tableau ci-dessus	
ALIMENTATION	230-240 V, 50-60 Hz, monophasé	
RACCORDEMENT	Câble 3 fils, 2,5 mm ²	
CERTIFICATIONS	AUSTRALIA/CE	
HAUTEUR D'INSTALLATION	MINIMALE	2.1 m
	RECOMMANDÉE	2.3 m to 2.7 m
	MAXIMALE	3,0 m (pour les hauteurs de plafond plus importantes, les unités peuvent être abaissées au moyen d'extensions optionnelles ; voir aussi la gamme Heatstrip Max)
OPTIONS DE FIXATION	Plafond, mur, poutre, parasol fixe et encastrement. Il est également possible de rallonger le support au moyen de tiges rigides ou de chaînes.	
INDICE DE PROTECTION	IP45 Protection contre les projections d'eau de toute direction	
PAYS DE FABRICATION	Australie	



THS1200AEU



THS2400AEU

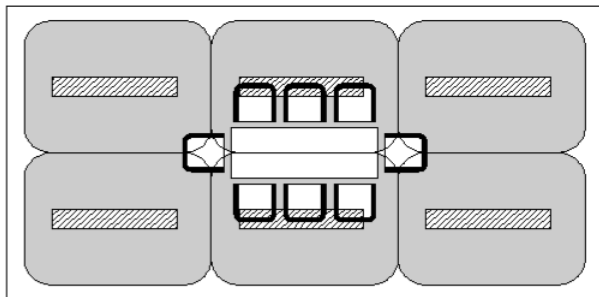


Principe du chauffage localisé

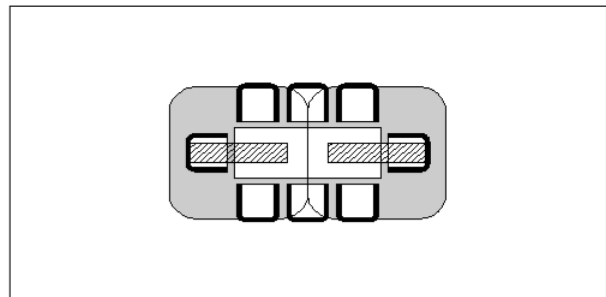
Pour les applications en extérieur ou dans des pièces difficiles à chauffer, l'utilisateur dispose de deux options pour choisir la taille et le nombre de radiateurs nécessaires. La première option consiste à chauffer confortablement l'ensemble de la zone en se basant sur les dimensions de l'espace, qu'il soit entièrement occupé ou non. La deuxième option consiste à chauffer davantage les zones fréquemment utilisées, par exemple les tables, le barbecue, le salon, les lignes d'assemblage ou les postes de travail. La solution du chauffage localisé est souvent plus pratique et plus économe en énergie. Le chauffage localisé permet de réduire le coût d'investissement initial, mais aussi les dépenses de fonctionnement. Il permet de zoner l'espace, c'est-à-dire de chauffer uniquement les secteurs utilisés, par exemple les tables d'un restaurant ou d'une terrasse.

Le premier schéma compare le chauffage ponctuel d'une table et le chauffage d'une zone entière.

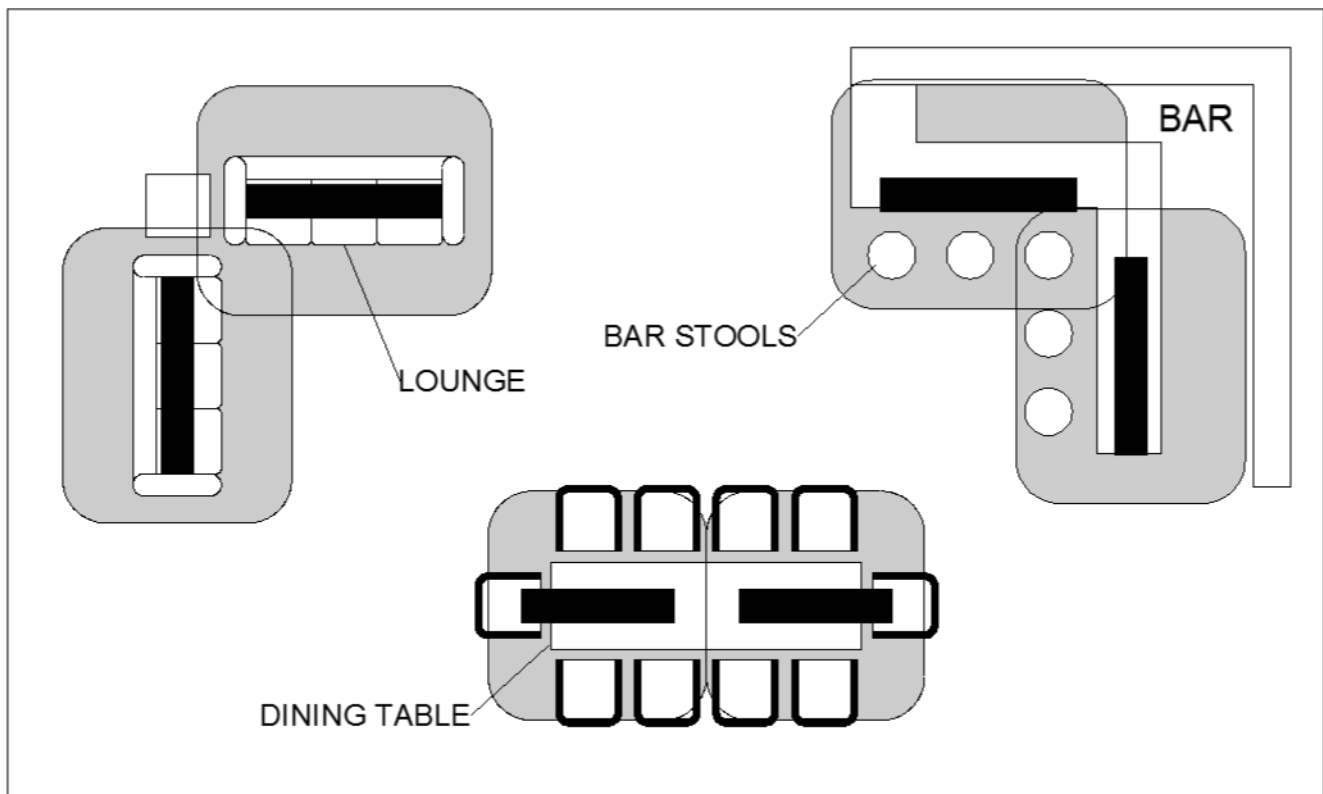
Le schéma du bas montre la flexibilité de HEATSTRIP qui offre un environnement confortable même quand la disposition des lieux est inhabituelle.



6 x THS2400AEU



2 x THS2400AEU





Guide de sélection

Recommandations générales relatives à **HEATSTRIP Indoor**:

- Hauteur de fixation idéale : 2,3 m à 2,7 m. La hauteur maximale est de 3 m dans un environnement extérieur protégé.
- Emplacement d'installation idéal : au plafond, juste au-dessus de la zone à chauffer (par exemple, au-dessus d'une table)

Le tableau ci-dessous précise le rayon d'action de chacun des modèles HEATSTRIP Indoor (en m²), sur la base de 2 scénarios différents. Par exemple, pour un espace intérieur protégé, le modèle THS 1200 couvrira une surface de 8 m² et le modèle THS2400EU une surface de 16 m².

MODEL	INDOOR INSULATED (m ²)	INDOOR PROTECTED (m ²)
THS1200AEU	12	8
THS2400AEU	24	16

Le guide ci-dessus peut varier en fonction du site et des conditions individuelles.

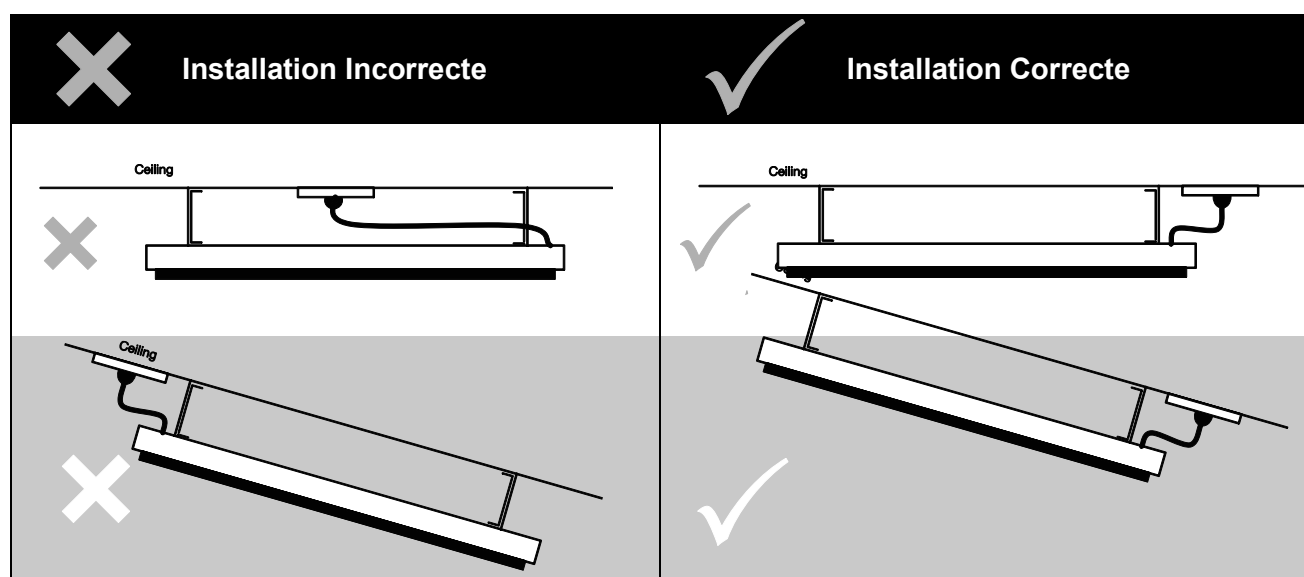




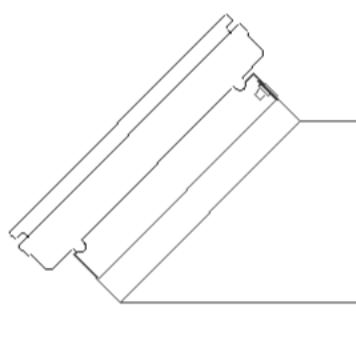
Installation

L'emplacement idéal du HEATSTRIP Indoor est au plafond, juste au-dessus de la zone à chauffer. Si cette solution n'est pas possible, HEATSTRIP® Indoor peut être fixé sur un mur et orienté vers le bas. Dans ce cas, vérifier que la hauteur de fixation se situe entre 2,1 m et 3 m.

- Pour les hauteurs d'installation supérieures à 3,0 m, nous recommandons l'utilisation des accessoires optionnels qui permettent d'abaisser le radiateur afin qu'il se trouve dans la fourchette recommandée (2,3 m – 3,0 m). L'efficacité du HEATSTRIP en sera améliorée. Se reporter à la section Accessoires de fixation pour plus d'informations.
- Le raccordement électrique/la prise de courant ne doit pas être situé derrière le radiateur, mais à l'extérieur de l'empreinte physique de l'unité afin de minimiser le risque de concentration de chaleur à l'arrière de l'unité.
- Si le radiateur doit être fixé sur un plan incliné (p. ex., plafond voûté), s'assurer que le raccordement électrique est situé au point le plus bas du radiateur.



CEILING

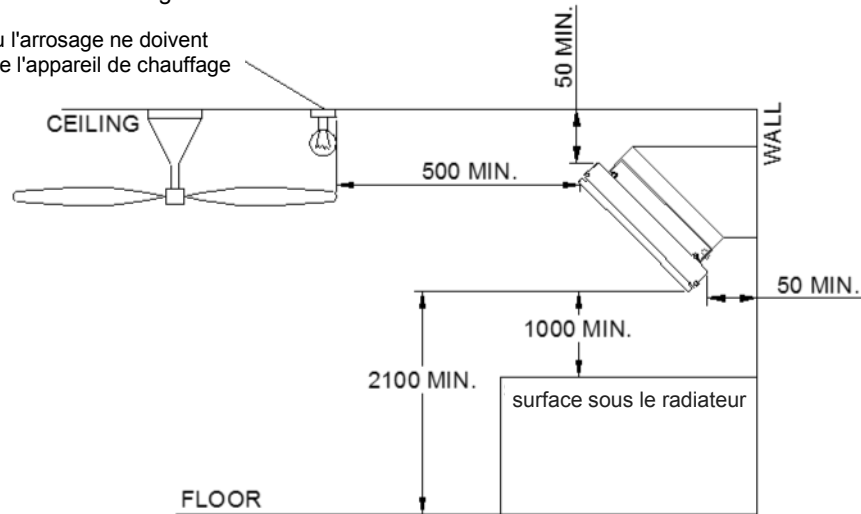


La surface de chauffage ne doit jamais être dirigée vers le plafond



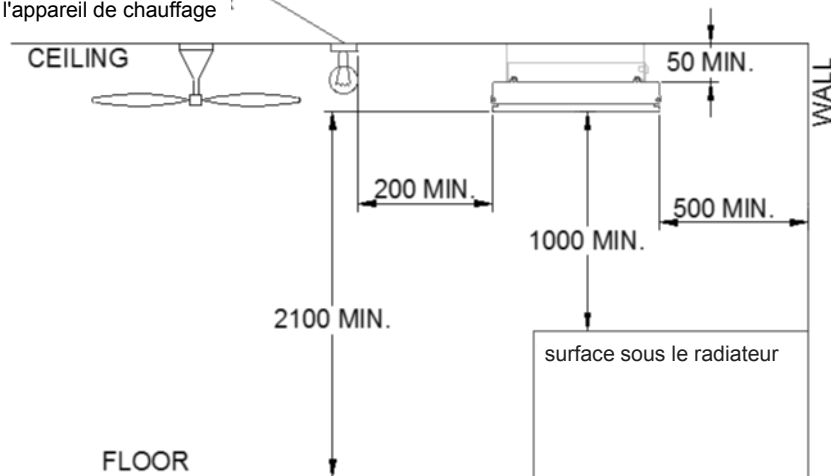
Lieu d'installation – les diagrammes ci-dessous confirment les hauteurs libres recommandées

Lumière, ventilateur ou l'arrosage ne doivent pas être au-dessous de l'appareil de chauffage



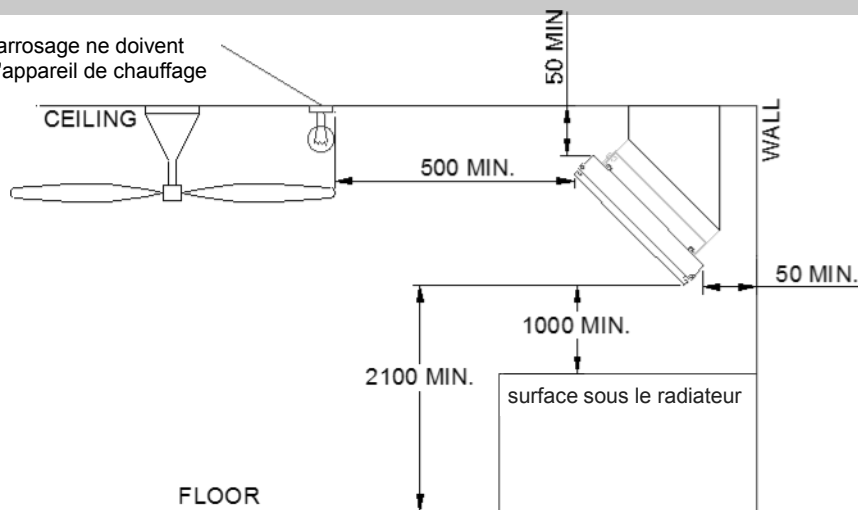
Angled Wall Installation

Lumière, ventilateur ou l'arrosage ne doivent pas être au-dessous de l'appareil de chauffage



Ceiling Installation

Lumière, ventilateur ou l'arrosage ne doivent pas être au-dessous de l'appareil de chauffage



Angled

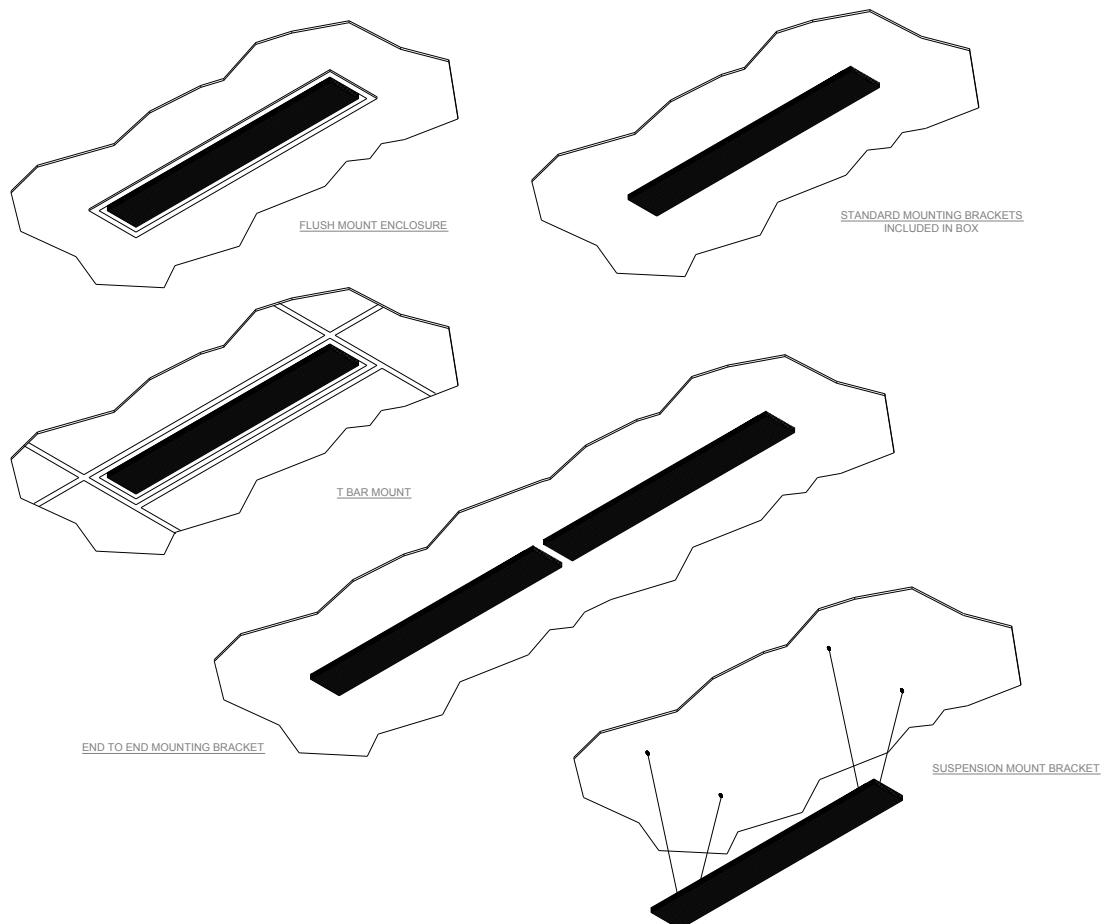
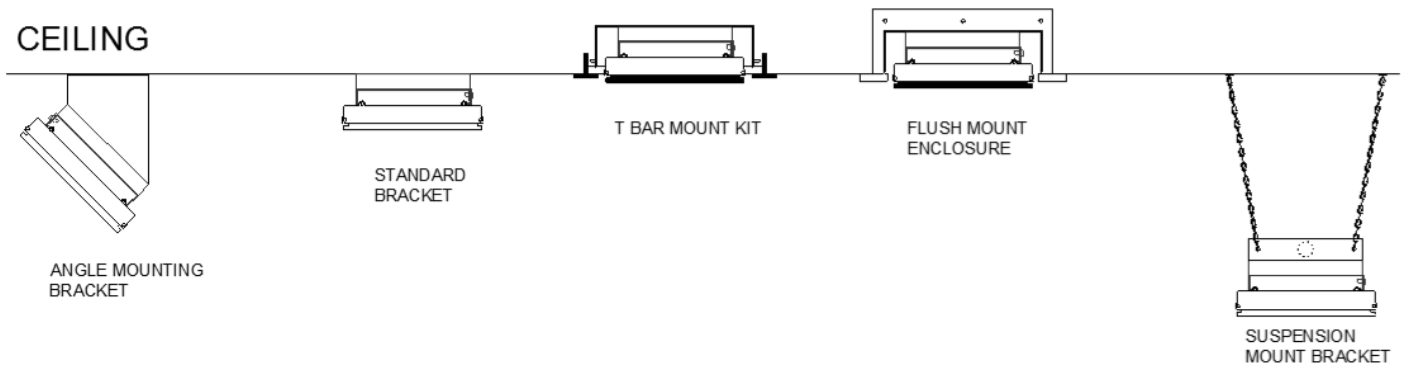


Options de fixation

L'installation du HEATSTRIP® Design avec les supports de fixation standard fournis est simple et facile. Pour les emplacements plus compliqués, il existe toute une gamme d'options de fixation – se reporter au diagramme ci-dessous.

Le HEATSTRIP Indoor peut être fixé directement au plafond ou au mur (oblique), encastré dans le plafond, suspendu à des chaînes ou monté en série (bout à bout) ou jumelé avec une autre unité identique. Se reporter aux pages suivantes pour plus d'informations sur les différentes options de fixation.

CEILING





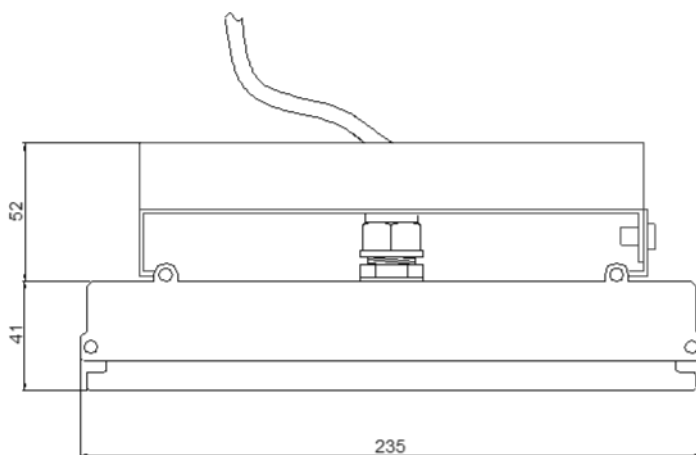
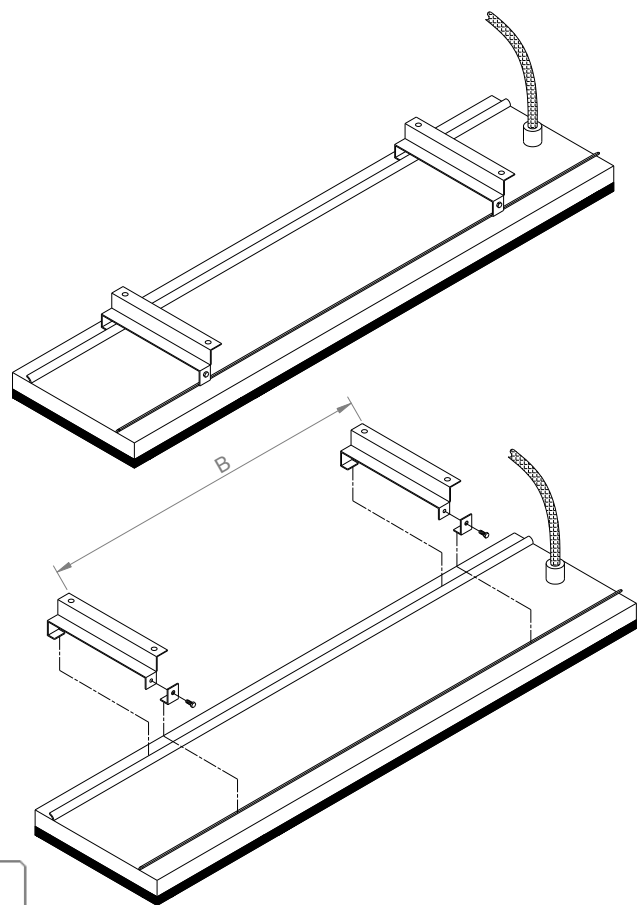
Les supports de fixation standard

L'installation du HEATSTRIP® Design avec les supports de fixation standard fournis est simple et facile.

Les supports de fixation doivent être montés sur un cadre ou un plafond solide en respectant une distance minimum entre les deux supports. La distance minimale (« B ») pour chaque modèle est indiquée dans le tableau ci-dessous.

Pendant le montage, s'assurer que les vis soient toutes bien serrées et que l'unité est sécurisée.

MODEL	"B" MINIMUM DISTANCE (mm)
THS1200AEU	500
THS2400AEU	1000



Standard Mounting Bracket

PART No	PACKAGED DIMENSIONS (mm)	WEIGHT (kg)	MATERIALS
ZBRAK-92	200 x 50 x 50	0.5	MILD STEEL POWDER-COATED WHITE

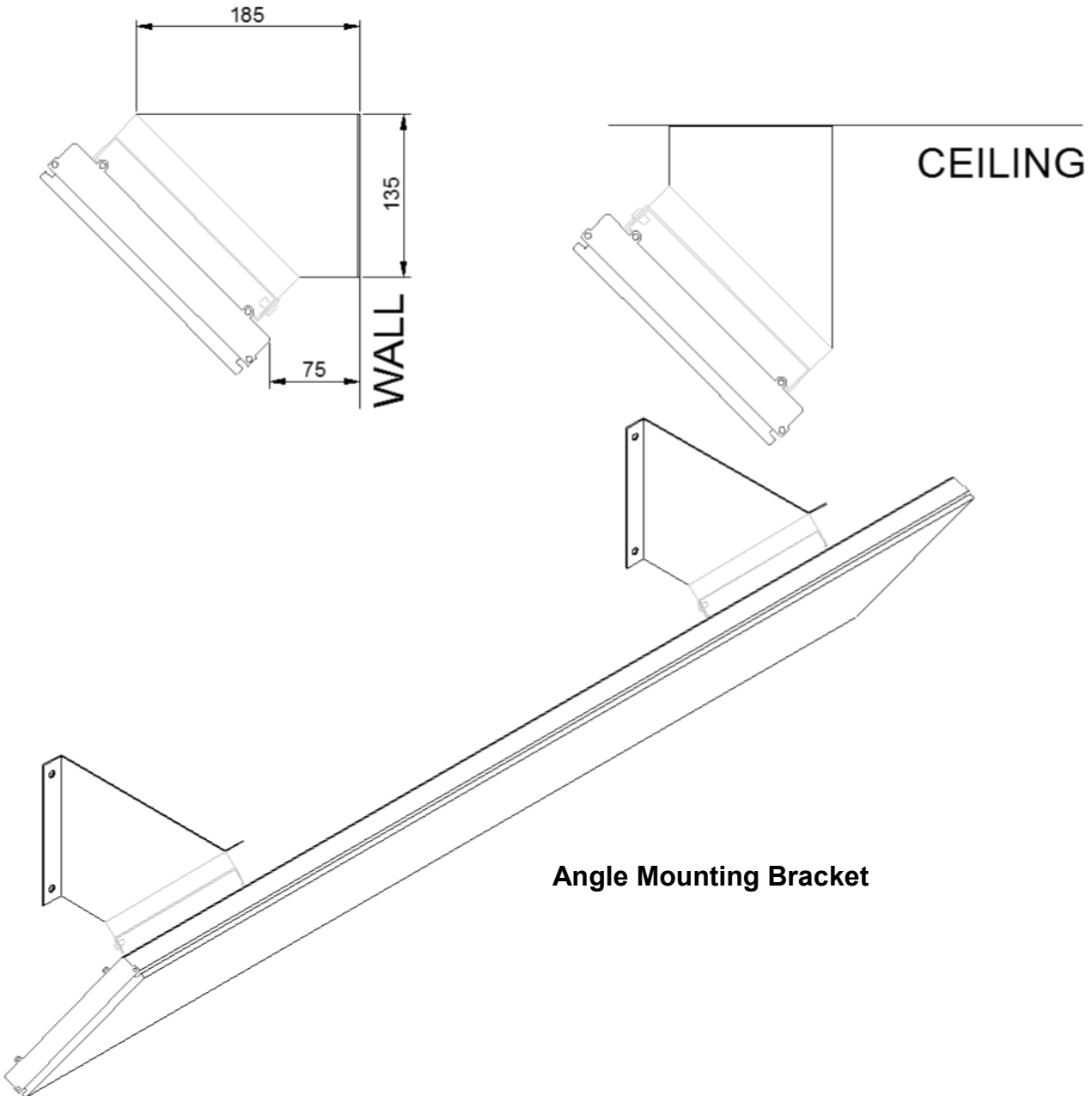


Supports de fixation de montage en angle

Le HEATSTRIP Indoor dispose de supports de fixation de montage sur angle optionnels. Ces supports de fixation peuvent être fixés au plafond ou au mur pour rapprocher la chaleur effective de la zone à chauffer.

L'angle du support de fixation est pré réglé sur 45°.

Pendant l'installation, s'assurer que les distances minimales sont maintenues. Les vis ne sont pas fournies.



PART No.	PACKAGED DIMENSIONS (mm)	WEIGHT (kg)	MATERIALS
THSAC-020	200 x 200 x 50	0.5	MILD STEEL POWDER-COATED WHITE

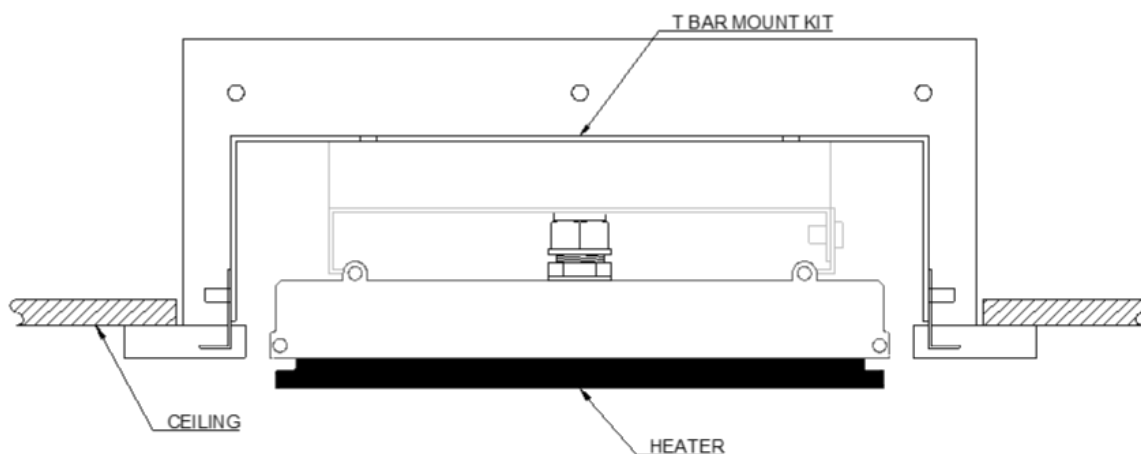
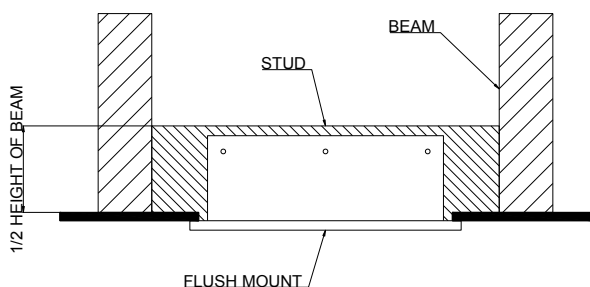
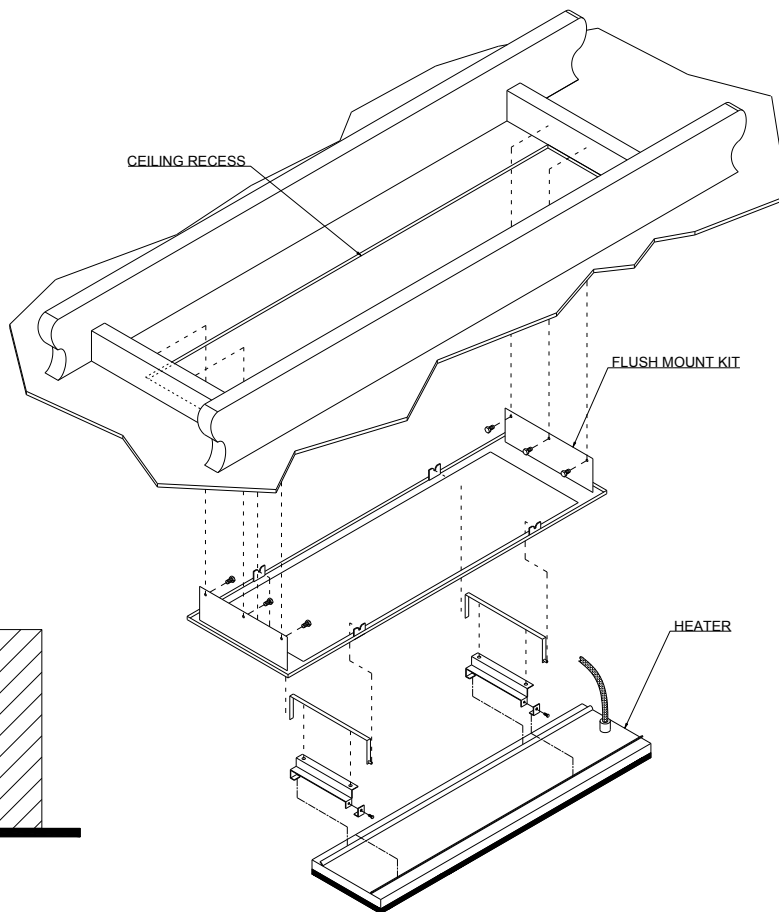


Flush Mount Enclosure

The Flush Mount Enclosure is an ideal way to neatly install the Heatstrip Indoor into a ceiling. They are available for all Heatstrip Indoor models, and are supplied as a one-piece unit for mounting of heaters. Flush mounting can be used with plaster or wood lined ceiling materials.

An ideal mounting height is 2.1-2.7m. Maximum mounting heights should be strictly followed, otherwise the performance of the units may be reduced.

The facia is made from white powdercoated mild steel.



SUITABLE FOR MODELS	PART No	HOLE CUTOUT DIMENSIONS (mm)	OVERALL DIMENSIONS (mm)	WEIGHT (kg)
THS1200AEU	THSAC-026	1020 x 325	1040 x 345 x 100	4
THS2400AEU	THSAC-028	1930 x 325	1950 x 345 x 100	5

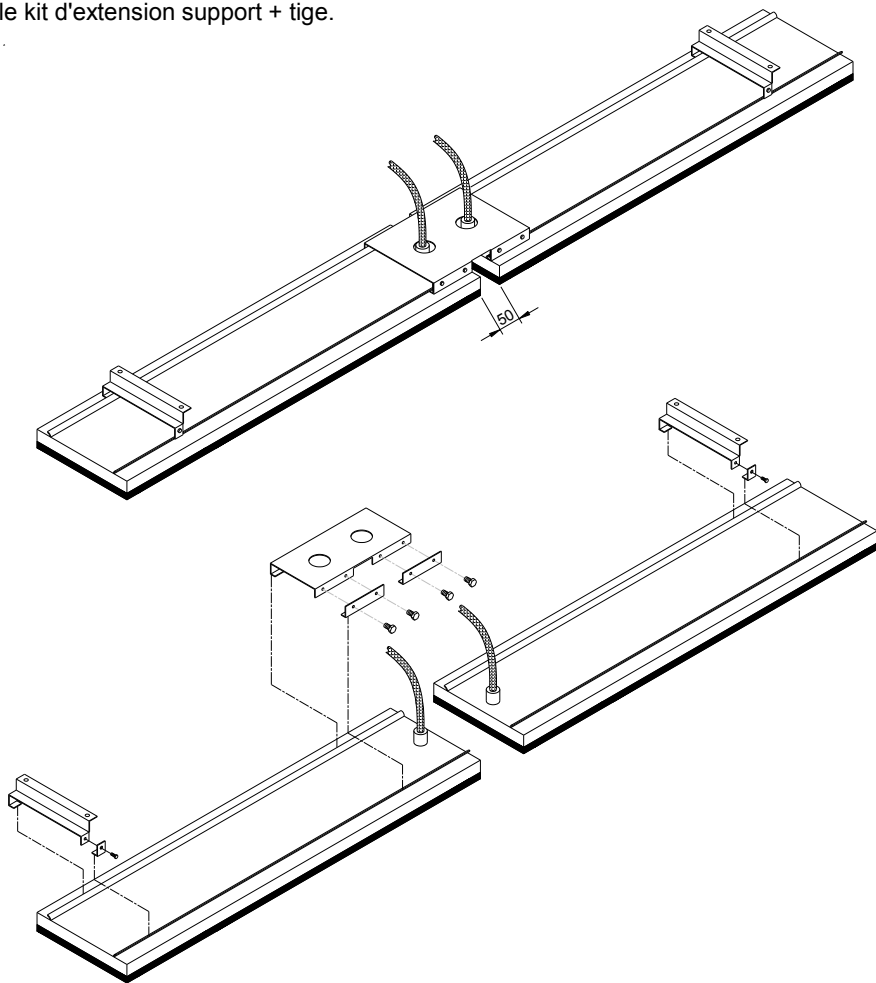


Support de fixation d'extrémité à extrémité

Le support de fixation d'extrémité à extrémité permet de raccorder plusieurs unités à la suite les unes des autres pour maximiser la production de chaleur et améliorer l'esthétique. Cette solution est idéale dans des applications telles que les longues rangées de tables ou les lignes d'assemblage qui nécessitent une production de chaleur constante.

Le support laisse un espace de 50 mm entre les unités et une ouverture pour le raccordement électrique. Comme le montre le diagramme ci-dessous, les unités doivent être installées de manière à ce que les câbles électriques se retrouvent côte à côte.

Le support de fixation d'extrémité à extrémité peut être utilisé avec le support standard pour fixation au plafond/mur et avec le kit d'extension support + tige.



PART No	PACKAGED DIMENSIONS (mm)	WEIGHT (kg)	MATERIALS
THSAC-029	260x200x30	1	MILD STEEL POWDER-COATED WHITE



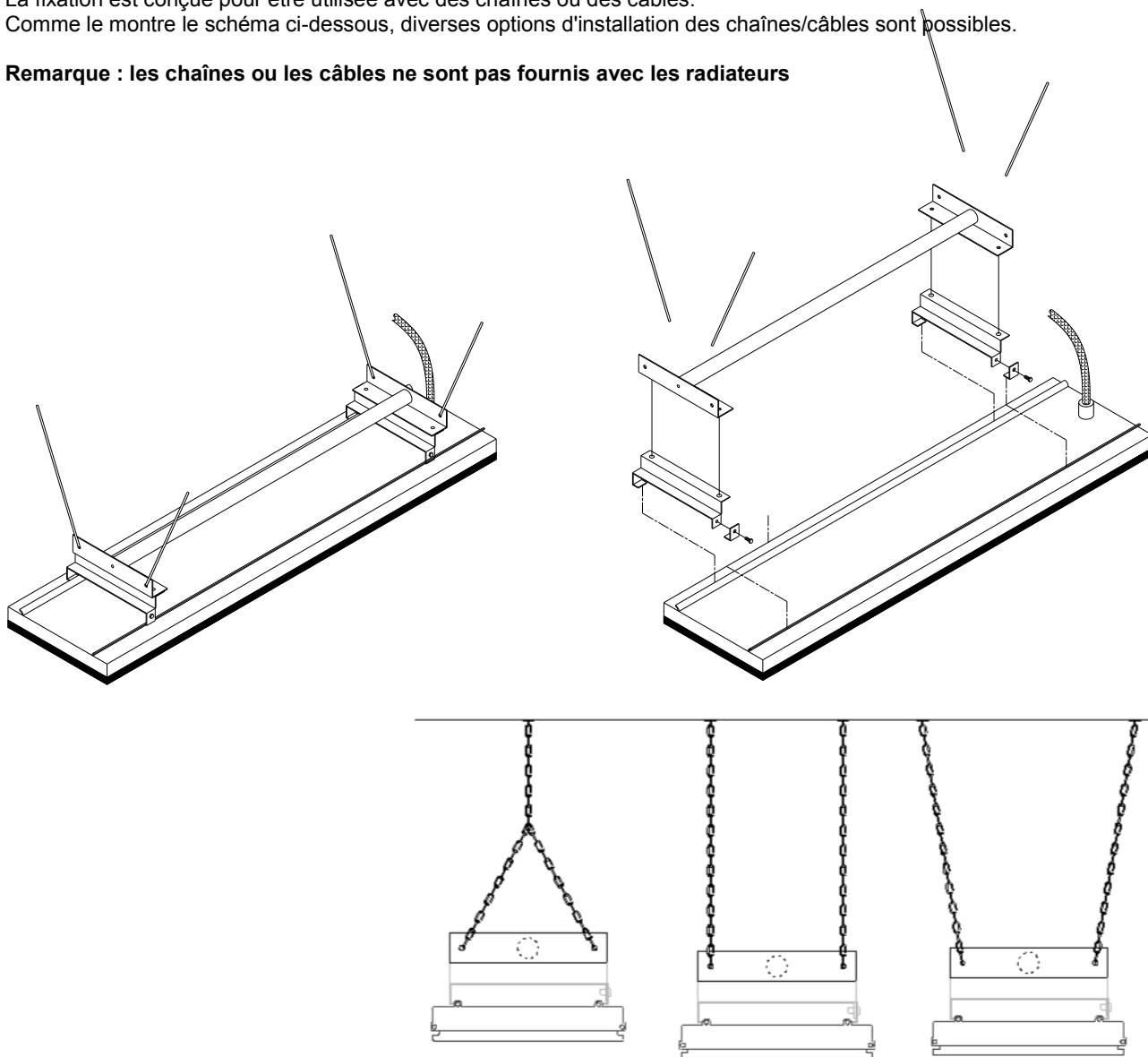
Extension pour support de fixation

L'extension pour support de fixation est un moyen facile, efficace et bon marché d'abaisser le HEATSTRIP Design lorsque le plafond est trop haut. Si la hauteur de plafond dépasse 3 m dans un environnement extérieur clos ou 2,7 m dans un lieu exposé, il est recommandé d'abaisser les radiateurs afin de les placer à la hauteur de fixation idéale, c'est-à-dire entre 2,3 m et 2,7 m.

La fixation est conçue pour être utilisée avec des chaînes ou des câbles.

Comme le montre le schéma ci-dessous, diverses options d'installation des chaînes/câbles sont possibles.

Remarque : les chaînes ou les câbles ne sont pas fournis avec les radiateurs



SUITABLE FOR MODELS	PART No	PACKAGED DIMENSIONS (mm)	WEIGHT (kg)	MATERIALS
THS1200AEU	THSAC-021	650 x 200 x 50	2	MILD STEEL POWDERCOAT WHITE
THS2400AEU	THSAC-022	1350 x 200 x 50	2	MILD STEEL POWDERCOAT WHITE



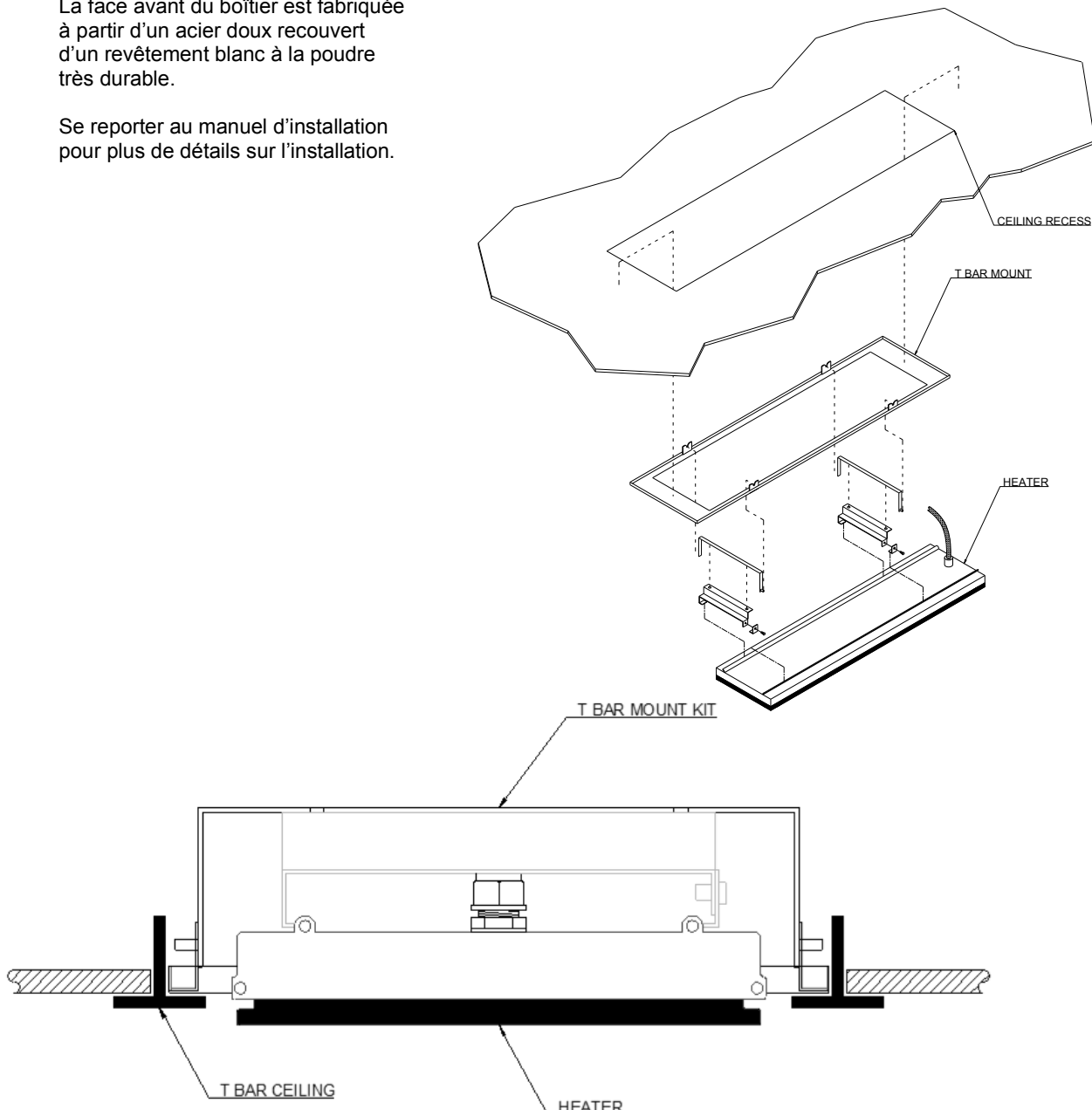
T Bar Mount

Le montage avec barre en T est conçu pour s'insérer comme une demi-tuile dans un élément plafonnier avec barre en T standard 1200 x 600mm.

La hauteur de montage idéale est 2,1 m-2,4m, avec une hauteur de plafond maximum de 2,7 m dans un intérieur fermé. Les hauteurs de montage maximum doivent être rigoureusement suivies, sinon les performances des unités risquent de se voir réduites.

La face avant du boîtier est fabriquée à partir d'un acier doux recouvert d'un revêtement blanc à la poudre très durable.

Se reporter au manuel d'installation pour plus de détails sur l'installation.



SUITABLE FOR MODELS	PART No	HOLE CUTOUT DIMENSIONS (mm)	OVERALL DIMENSIONS (mm)	WEIGHT (kg)
THS800AEU	THSAC-023	1080 x 280	1090 x 290 x 100	4
THS1200AEU	THSAC-024	1080 x 280	1090 x 290 x 100	4

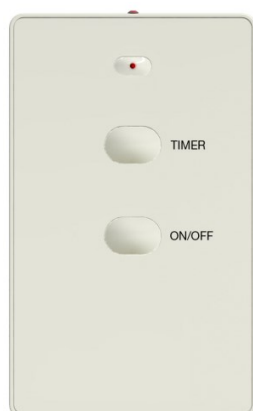


Contrôleur mural avec commande à distance

Ce contrôleur a été conçu et fabriqué spécialement pour le radiateur HEATSTRIP. Très facile d'utilisation, il a été pensé pour permettre un fonctionnement plus économique du radiateur. Il contient un minuteur pour les opérations automatiques du radiateur.

La fonction minuteur propose quatre configurations. Elle peut enclencher le radiateur pendant 1 heure, 2 heures, 4 heures ou constamment. Le minuteur peut être opéré depuis l'endroit où il est installé ou via l'unité de contrôle à distance. Il dispose de fonctions préprogrammées pour 1 heure, 2 heures, 4 heures ou en continu, pour que le radiateur puisse fonctionner en continu.

La commande à distance a une portée de 10 mètres et doit se trouver dans le champ de vision du contrôleur mural.



Contrôler plusieurs unités

Il est possible d'utiliser un contrôleur mural pour contrôler plusieurs radiateurs jusqu'à une charge maximale de 16 Amps. Le contrôleur mural est certifié 16 Amps et 220-240 volts. Pour un appel de courant supérieur, il est recommandé de parler avec un électricien qui peut utiliser un relais pour connecter des unités supplémentaires.

Montage

Le TT-MTR convient aux boîtiers muraux européens standard. Il peut également être monté facilement dans un mur en plâtre. L'électricien peut installer l'appareil.

Le contrôleur doit être installé conformément aux directrices locales sur le câblage.

Opération

Appuyez sur le bouton « ON/OFF » pour allumer ou éteindre l'appareil.

Appuyez sur le bouton « TIMER » pour régler le minuteur en mode 1, 2, 4 heure(s). Le témoin lumineux du minuteur indique le réglage sélectionné. Le minuteur déclenche le radiateur et l'arrête automatiquement à l'heure préprogrammée.

Sécurité

Le contrôleur TT-MTR doit être installé dans un endroit sec. L'unité ne doit pas être installée dans un endroit où elle pourrait être endommagée par de la pluie ou de l'eau.

Vérifier que les connexions sont correctement réalisées.

Cet appareil n'est pas destiné à être utilisé par des personnes (y compris des enfants) aux capacités physiques, sensorielles ou intellectuelles limitées ou ne disposant pas d'une expérience ou de connaissances suffisantes, sauf si elles sont placées sous surveillance ou si elles ont été formées à l'utilisation de l'appareil par une personne responsable de leur sécurité. Les enfants doivent être maintenus sous surveillance et ne doivent pas jouer avec l'appareil.

Entretien

Le contrôleur TT-MTR est fabriqué à base de matériaux durables. Un entretien régulier du contrôleur permettra de prolonger la durée de vie du produit.

Il est recommandé de dépoussiérer le contrôleur pour que la surface reste propre. Nettoyer l'unité au moins tous les trois mois pour limiter l'accumulation de saletés et garder un aspect propre à l'appareil.

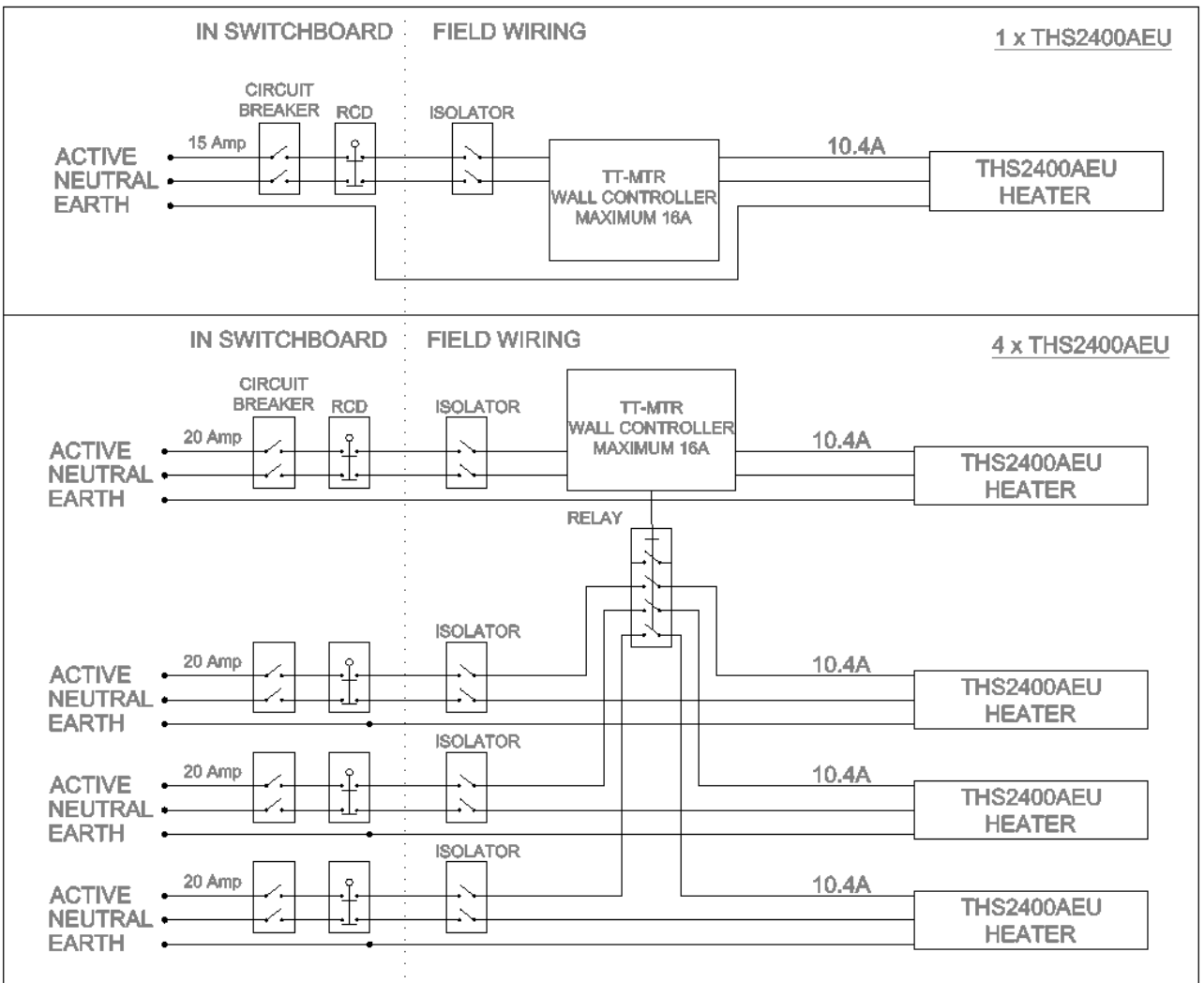
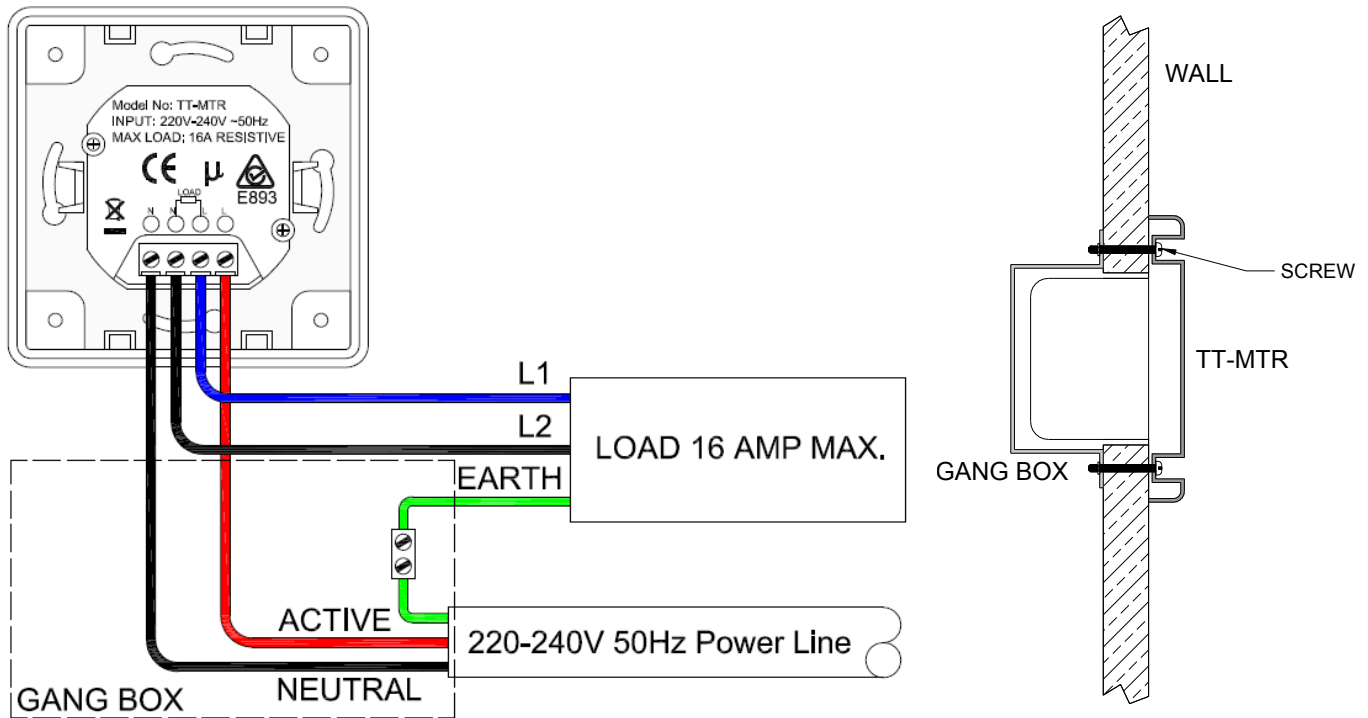
Ne pas utiliser de matériaux ou de produits abrasifs (solvants, produits à base d'agrumes ou autres produits corrosifs) pour nettoyer le contrôleur. Ne pas utiliser d'eau ou de chiffon humide pour nettoyer le contrôleur.

Toujours manipuler le contrôleur avec des mains ou des gants propres car la graisse et la saleté peuvent tacher la surface du contrôleur.

MODEL	MAXIMUM VOLTAGE (Volts)	MAXIMUM CURRENT (Amps)	PACKAGED DIMENSIONS (mm)	WEIGHT (kg)
TT-MTR	220—240	16	80 x 80 x 42	0.5



Installation Contrôleur Mural





Sécurité

HEATSTRIP Design possède un indice IP de 45. Cela signifie qu'il est protégé contre les projections d'eau de toute direction. L'unité HEATSTRIP peut donc être nettoyée au jet d'eau en toute sécurité. HEATSTRIP a subi de nombreux tests, que ce soit en laboratoire, à l'usine de production de Thermofilm à Melbourne et sur le terrain en Australie, Europe et ailleurs. Grâce à ces nombreux tests, l'acheteur est certain de bénéficier d'un produit de haute qualité.

Des tests de laboratoire indépendants ont confirmé que toutes les normes australiennes et internationales exigées, sont respectées CE, AS/ANZ, UL/CSE.

HEATSTRIP est un équipement de catégorie 1 qui doit être mis à la terre.

Le radiateur devient rapidement TRÈS CHAUD – ne jamais toucher une quelconque partie de l'appareil lorsqu'il fonctionne et dans un délai de 30 minutes après sa mise hors tension.

Cet appareil n'est pas destiné à être utilisé par des personnes (y compris des enfants) aux capacités physiques, sensorielles ou intellectuelles limitées ou ne disposant pas d'une expérience ou de connaissances suffisantes, sauf si elles sont placées sous surveillance ou si elles ont été formées à l'utilisation de l'appareil par une personne responsable de leur sécurité. Les enfants doivent être maintenus sous surveillance et ne doivent pas jouer avec l'appareil.

Ne laisser aucun câble, pièce de mobilier, matériau inflammable ou autre entrer en contact avec une quelconque des surfaces du radiateur.

Si le radiateur est installé dans une salle de bains, les interrupteurs ou les commandes de l'appareil doivent être installés de manière à être inaccessibles depuis la baignoire ou la douche.

Le radiateur doit être installé conformément aux instructions, en tenant tout particulièrement compte des distances minimum à respecter.

Le radiateur doit être installé sur un support ou une fixation rigide.

Le radiateur ne doit pas être installé juste en dessous ou devant une prise électrique.

Si le radiateur tombe en panne ou que le câble d'alimentation est endommagé, l'appareil doit être retourné au point d'achat en vue de son renvoi à Cook & Heat B.V. pour réparation.

Entretien

Le HEATSTRIP est fabriqué à base de matériaux durables. Un entretien régulier permettra de prolonger sa durée de vie.

Il est recommandé de nettoyer le radiateur à grande eau, d'essuyer délicatement les surfaces avec un chiffon imbibé de détergent doux afin d'éliminer les saletés accumulées, puis de rincer le détergent. Les produits chimiques présents dans l'atmosphère (fumée de cigarette, pollution, etc.) risquent de ternir la surface du radiateur. Un nettoyage et un entretien plus fréquents peuvent alors s'avérer nécessaires. Nettoyer l'unité au moins tous les trois mois pour limiter l'accumulation de saletés et garder un aspect propre à l'appareil. Si le radiateur est installé dans un environnement corrosif (sel, etc.), il est recommandé de pulvériser chaque semaine le radiateur à l'eau douce pour le nettoyer. Après toute opération de nettoyage, faire fonctionner le radiateur pendant 20 minutes pour éviter les traces d'eau. Avant toute activité de nettoyage ou d'inspection, éteindre le radiateur et le laisser refroidir complètement. Ne pas utiliser de matériaux ou de produits abrasifs (solvants, produits à base d'agrumes ou autres produits corrosifs) pour nettoyer le radiateur.

Toujours manipuler le radiateur avec des mains ou des gants propres car la graisse et la saleté peuvent tacher la surface de l'appareil.

Ne pas utiliser de nettoyeur haute pression pour nettoyer le radiateur.



Garantie

Cook & Heat B.V. garantit à l'acheteur que les produits HEATSTRIP Design seront exempts de défauts de pièces et main-d'œuvre pendant une durée de 24 mois à compter de la date d'achat, conformément aux conditions de garantie ci-dessous.

La validité de cette garantie est soumise aux conditions suivantes :

- Le produit HEATSTRIP doit être installé conformément aux instructions d'installation et aux normes et codes électriques concernés.
- Le produit HEATSTRIP doit être entretenu et nettoyé conformément aux instructions figurant dans le manuel d'installation.
- Il n'existe aucune garantie expresse ou implicite relative aux spécifications de capacité. Le choix de l'unité ou des unités dépend entièrement de la conception du système telle qu'elle est définie par l'acheteur.
- Le client n'a pas réparé, ouvert ou modifié le produit d'une quelconque manière non autorisée.
- Cette garantie exclut tout dommage au produit ou aux composants résultant de circonstances indépendantes de la volonté de Cook & Heat B.V. , y compris, sans toutefois y être limité : utilisation du produit non conforme à l'usage prévu, modification apportée au produit, installation incorrecte, alimentation électrique incorrecte, dommages pendant la livraison, usage impropre, utilisation abusive, vandalisme, entretien insuffisant ou accident.
- Les obligations de Cook & Heat B.V. au titre de cette garantie se limitent à la réparation ou au remplacement des composants du produit dont Cook & Heat B.V. estime qu'ils sont défectueux.
- Les frais de port associés au retour du produit à Cook & Heat B.V. (ou dans autre lieu autorisé par écrit par Cook & Heat B.V.) sont à la charge du client.
- Tous les produits sont inspectés et testés avant leur expédition. Lorsque la livraison n'est pas assurée par Cook & Heat B.V., les produits passent sous la responsabilité de l'acheteur dès leur départ de l'usine de Cook & Heat B.V.
- Une certaine décoloration de la surface de l'appareil peut se produire au bout d'un certain temps ; cette décoloration n'est pas incluse dans la garantie.
- Les radiateurs sont susceptibles de se tordre ou de se plier ; ces détériorations ne sont pas incluses dans la garantie.
- Aucun produit ou composant ne sera fourni tant que le produit ou les composants défectueux n'auront pas été examinés par Cook & Heat B.V. ou par un représentant agréé de Cook & Heat B.V.
- Cook & Heat B.V. ne prend pas en charge les coûts ou les frais de main-d'œuvre associés au remplacement de pièces, à la réparation, au démontage, à l'installation, à l'entretien, au transport ou à la manipulation de pièces destinées à compléter les produits, et n'assume aucune responsabilité quant aux pièces réparées ou remplacées sans autorisation écrite. Cook & Heat B.V. ne peut être tenu pour responsable d'une quelconque défaillance ou d'un quelconque retard dans l'exécution de ses obligations au titre de la garantie si cette défaillance ou ce retard résulte de circonstances indépendantes de sa volonté, y compris, sans toutefois y être limité, restrictions judiciaires gouvernementales, grèves, incendies, inondations, conditions météorologiques anormales ou retard de livraison de composants.

Si les produits arrivent endommagés, avertir immédiatement la société de transport de l'état des produits et lui demander de mentionner le problème sur les documents de fret. Si les dommages sont découverts après le déballage du produit, demander immédiatement à la société de transport de venir inspecter les produits et insister pour que les dommages figurent sur les documents de fret.

Le client déclare utiliser le produit dans le respect :

- des instructions qui pourront lui être fournies par Cook & Heat B.V.
- de toutes les réglementations gouvernementales et locales, y compris, sans toutefois y être limité, toutes les lois et réglementations électriques et environnementales régissant l'installation, le stockage, l'utilisation, la manipulation et l'entretien des biens.
- de toutes les précautions et mesures de sécurité nécessaires et appropriées relatives à l'installation, au stockage, à l'utilisation, à la manipulation et à l'entretien des biens.

Distribué par:

Cook & Heat B.V.
www.heatstrip.eu

Produit par:

Thermofilm Australia Pty Ltd
17 Johnston Court
Dandenong South,
Victoria, 3175 Australia

HEATSTRIP[®]

INDOOR RADIANT STRIP HEATERS



INSTALLATIONS-, BEDIENUNGS- UND WARTUNGSANLEITUNG



HEATSTRIP Indoor - EUROPA

*Durch sein Design ist dieser Heizstrahler
extra hot!*





CONTENTS

Rev C Mar16

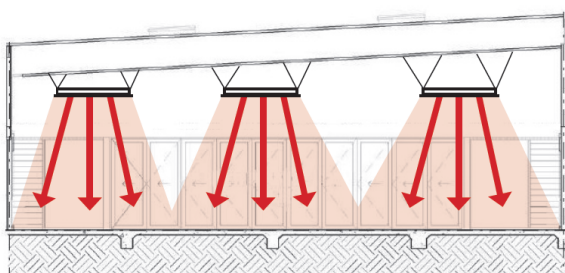
Das Produkt	63
Technische Angaben	65
Prinzip der Punktheizung	66
Leitfaden für die Produktwahl	67
Anforderungen bei der Installation	68
Befestigungsort	69
Möglichkeiten zur Befestigung	70
Standardmäßige Montagebügel	71
Winkelmontagebügel	72
Einbaugehäuse	73
Ganzseitige Montagebügel	74
Deckenhalter	75
T-Bar Einbaurahmen-Montage	76
Regler für Wandeinbau mit Fernbedienung	77
Installation Regler für Wandeinbau	78
Sicherheit und Instandhaltung	79
Garantie	80



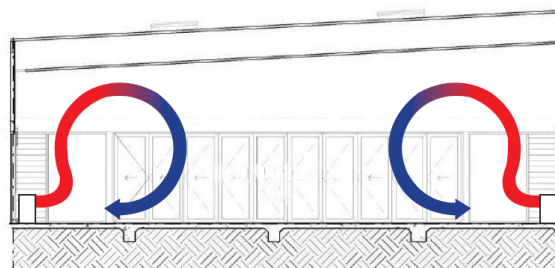
Das Produkt

Darum sollten Sie sich für Ihre Außenbereiche oder schwer zu beheizende Innenbereiche für einen der elektrischen Heatstrip®-Heizstrahler entscheiden.

Durch die häufig vorliegende ständige Luftbewegung im Freien oder in ungeschützten Innenräumen arbeiten viele herkömmliche Terrassenheizgeräte mit einer Konvektionsheizung, durch die die Umgebungsluft erwärmt wird. Das kann an diesen Stellen jedoch ziemlich unpraktisch sein, weil diese erwärmte Luft durch die natürliche Luftbewegung weggeweht wird. Heizstrahler dagegen übertragen die Wärme durch Infrarotstrahlung direkt auf Objekte. Während Konvektionsheizgeräte die Luft zwischen Gegenständen aufheizen, erwärmen Heizstrahler die Oberfläche der Gegenstände selbst. Die elektrischen HEATSTRIP®-Heizstrahler wirken in Außen- oder nicht isolierten Innenbereichen effektiver, weil sie die Wärme direkt auf die Personen und Gegenstände in ihrem Wirkungsbereich abstrahlen.



Above: Strahlungswärme verteilt sich direkt nach unten und erwärmt den Raum, der beheizt werden muss.



Above: Konvektionswärme kann in nicht isolierten Bereichen verloren gehen und steigt zur Decke.

Die Produktpalette von Heatstrip umfasst drei unterschiedliche Produkte, die jeweils eine bestimmte Temperaturleistung bieten, sodass sie für unterschiedliche Einsatzbereiche ideal sind. Nachstehend findet sich eine Liste der am häufigsten vorkommenden Anwendungsbereiche, sodass Sie leichter das für Sie geeignete Modell auswählen können. Dabei handelt es sich nur um allgemeine Angaben; dem Produkthandbuch, das jedem Produkt beiliegt, können Sie weitere Informationen entnehmen.

HEATSTRIP Design (THH-Modelle) ist ein hochwertiger Heizstrahler für höhere Temperaturbereiche, der meistens in Außenbereichen mit 1, 2, 3 oder 4 geschlossenen Seiten eingesetzt wird. Die ideale Befestigungshöhe liegt zwischen 2,1 und 2,7 m.

HEATSTRIP Max (THX-Modelle) ist ein Heizstrahler für besonders hohe Temperaturen, der für nicht verdeckte und offene Bereiche verwendet wird. Die Befestigungshöhe liegt zwischen 2,4 und 3,5 m.

HEATSTRIP Indoor (THS-Modelle) ist ein Heizstrahler mit mittlerer Leistung, der für geschützte Innenbereiche verwendet wird.

ANWENDUNGSBEREICH	THX	THH	THS
Geschützte Innenbereiche, Klassenzimmer, Büroräume, Badezimmer, Nasszellen und Trockenräume	X	✓	✓
Überdachte Außenbereiche bei Cafés, Terrassen, Innenhöfen und Balkonen mit einer Deckenhöhe von max. 3 m	X	✓	X
Überdachte Außenbereiche bei Cafés, Terrassen, Innenhöfen und Balkonen mit einer Deckenhöhe ab 3 m	✓	X	X
Dem Wind besonders stark ausgesetzte Außenbereiche	✓	X	X
Offene Innenbereiche, Lager, Fabriken, Produktionsbereiche und Sportstätten	✓	✓	✓
Punktheizung über Tischen und Montagebereichen	✓	✓	X



Heatstrip Indoor — Eigenschaften & Vorteile

Stilvolles, modernes und schlankes Design

Das neue moderne, schlanke Design des Heatstrip Indoor macht ihn zum schlanksten Profil auf dem Markt. Er verbindet sich elegant und nahtlos mit jeder Innenraumumgebung und jedem Dekor.

Eine effektive, effiziente Heizungslösung für alle schwierig zu beheizenden, offenen Innenanwendungen.

Das innovative Design des Heatstrip Indoor ermöglicht eine angenehme und gleichmäßige Wärmeverteilung von der Oberfläche, und das bei minimalen Betriebskosten. Das einzigartige, in Australien entwickelte Legierungsprofil ermöglicht, dass bis zu 90% der Heizenergie direkt auf die zu beheizende Zone gerichtet werden, während 10 als Konvektionswärme emittiert werden. Dieses hocheffiziente Verhältnis steht für einen ausgezeichneten Heizwert. Diese Heizgeräte mit mittlerer Stärke haben eine verbesserte Wasser-Schutzklasse von IP45 und wurden speziell für das Beheizen von Innenräumen entwickelt.

Design-Flexibilität, um BCA-Anforderungen zu erfüllen

2 verschiedene Modelle und mehrere Montage-Optionen innerhalb der Palette gestatten, dass die innovativen Heizsysteme die strengen BCA-Anforderungen erfüllen.

Geeignet für vielfältige Anwendungen - Gewerblich & privat

Heatstrip Indoor kann entwickelt werden, um eine angenehme Heizung für ein einzelnes Zimmer oder ein riesiges Stadion zu bieten, sowohl für eine große Gruppe oder eine Einzelperson. Heatstrip Indoor ist ideal für eine Reihe von Anwendungen geeignet, z. B. Klassenzimmer, Hörsäle, Sporteinrichtungen, Geschäfte, Fabriken, Kirchen, Restaurants, Lager, Ausstellungsräume, Industrieheizungen, Tanz- & Yoga-Studios und Schlafzimmer, Wohnräume usw.

Mehrere Montage-Optionen gestatten eine einfache Installation

Es werden standardmäßige Deckenhalterungen geliefert. Zusätzlich sind optionale Halterungen für eine winklige Wandmontage, eine bündige Deckenmontage, eine T-Träger-Deckenmontage und eine abgehängte Montage an Ketten/Drähten erhältlich.

Minimale Wartung

Der Heatstrip Indoor hat keine internen beweglichen Teile, wodurch ein ruhiger und praktisch wartungsfreier Betrieb ermöglicht wird.

Hergestellt in Australien

Entwickelt, konstruiert und hergestellt in Australien wird der Heatstrip Indoor durch eine 24-monatige Garantie für Wohnbereich und eine 12-monatige Garantie für gewerbliche Bereiche voll abgesichert.



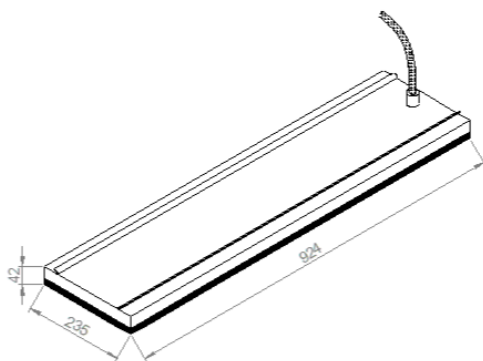


Technische Angaben

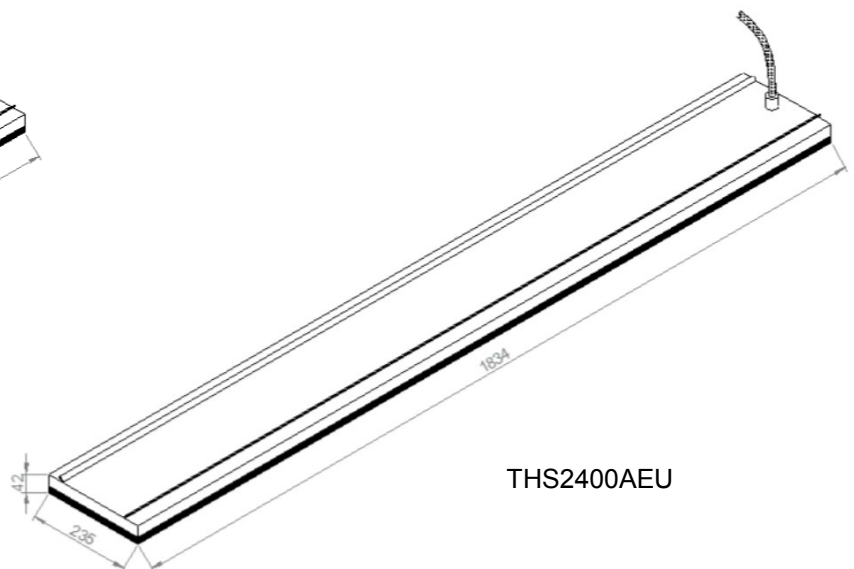
MODELL	STROMLEISTUNG (WATT)	STROMSTÄRKE (AMP)	ABMESSUNGEN (MM)	GEWICHT (KG)	LEITUNGSLÄNGE (MM)	STECKER
THS1200AEU	1200	5.0	924 x 235 x 48	6	1000	YES
THS2400AEU	2400	10	1834 x 235 x 48	11	1000	YES

MODEL

HEIZGERÄT TYP	Leistungsstarker elektrischer Heizstrahler mit großflächiger profilierter Metalllegierung.	
AUSGANGSLEISTUNG	Siehe obenstehende Übersicht zu den Modellen	
STROM	230-240 Volt Nennleistung bei 50—60 Hertz, einphasig	
ANSCHLUSS	3-adriges Kabel 2,5mm ²	
ZULASSUNGEN	AUSTRALIEN/NZ	
BEFESTIGUNGSHÖHE	MINDESTENS EMPFOHLEN HÖCHSTENS	2.1 m 2.3 m to 2.7 m 3.0 m (bei höheren Decken können die Geräte mit den als Option erhältlichen Bügelsets niedriger angebracht werden; Alternative: die Produktreihe Heatstrip Max)
BEFESTIGUNG	Geeignet für die Montage an Decken, Wänden, Balken, Schirmen und für Unterputzmontage. Ebenfalls geeignet für eine erweiterte Wandbefestigung mit festen Befestigungsstangen und Kettenhalterungen.	
SCHUTZKLASSE	IP45 Schutz vor Wassereindringung an allen Seiten	
HERSTELLUNGSLAND	Australien	



THS1200AEU



THS2400AEU

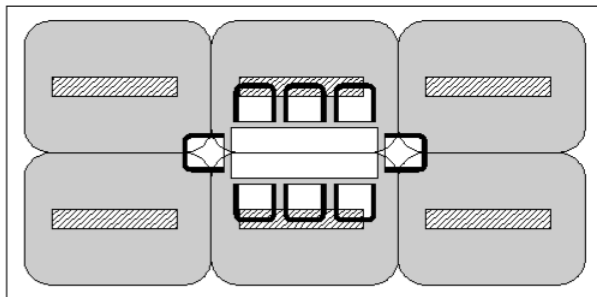


Prinzip der Punktheizung

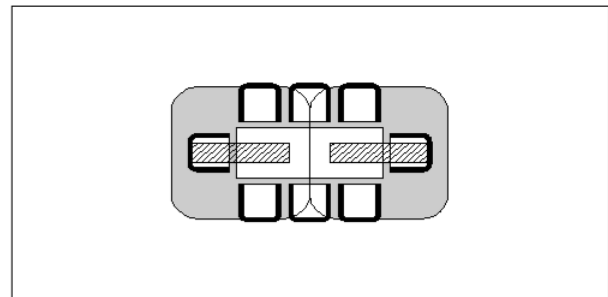
In den meisten Außen- oder schwer zu beheizenden Innenbereichen bieten sich meistens 2 Möglichkeiten, wenn Heizgeräte in Bezug auf Größe und Anzahl ausgewählt werden müssen. Die erste Möglichkeit besteht daraus, den gesamten Bereich auf der Grundlage der Gesamtfläche zu beheizen, ungeachtet der Frage, ob die Fläche gerade auch überall genutzt wird. Bei der zweiten Möglichkeit werden die am stärksten genutzten Bereiche per Punktheizung erwärmt; dies sind Tische im Freien, Grillstellen, Lounges, Fertigungsstraßen oder Arbeitsplätze innen, denn für diese Bereiche empfiehlt sich zumeist eine solche Punktheizung. Eine Punktheizung sorgt dafür, dass weniger Kosten für die erste Anschaffung anfallen, und garantiert zudem niedrigere Betriebskosten. Durch eine Punktheizung kann der Bereich in Zonen eingeteilt werden, sodass nur die Bereiche beheizt werden, die auch genutzt werden, wie Tische in einem Restaurant oder ein Sitzbereich im Freien.

Die obere Abbildung zeigt einen Vergleich zwischen einer Punktheizung über einem Tisch und der Beheizung einer gesamten Fläche.

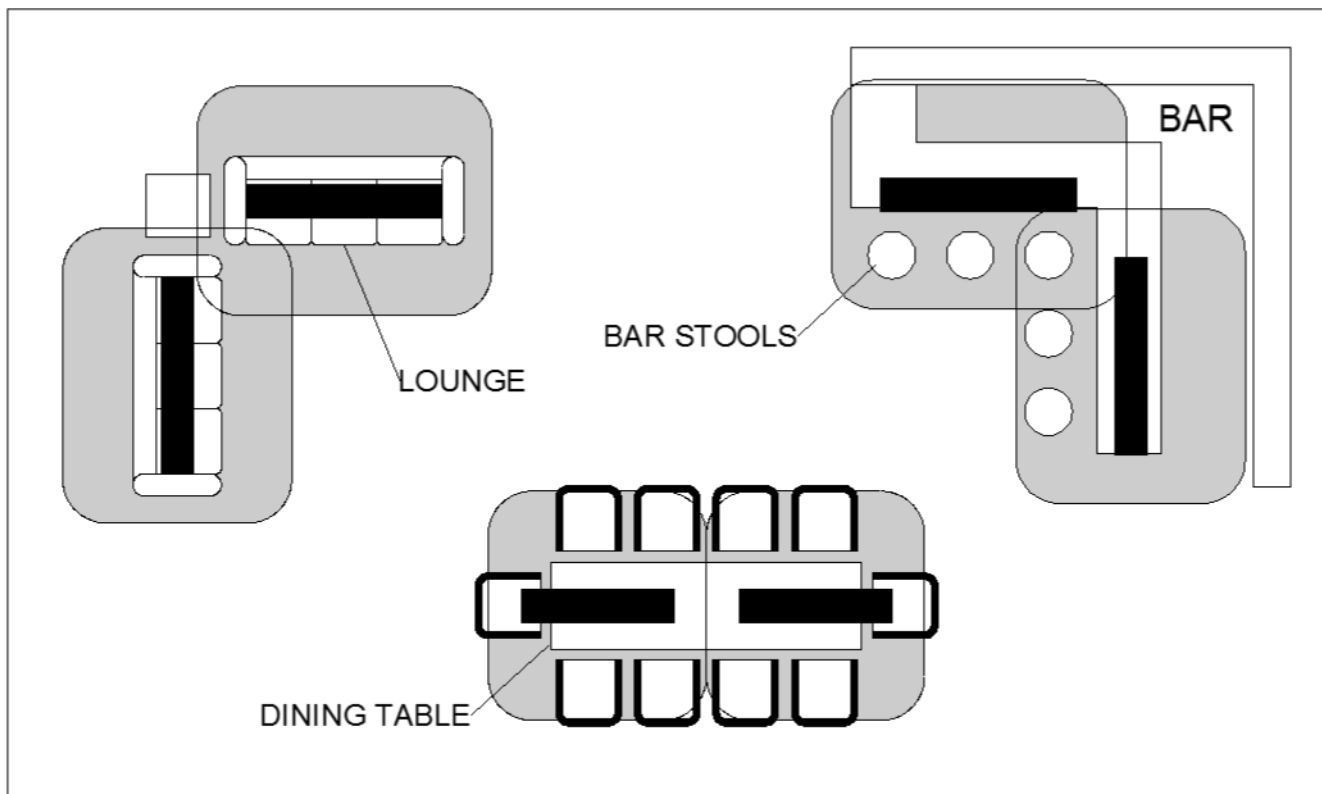
Die untere Abbildung zeigt die Flexibilität bei der Verwendung des HEATSTRIP, wenn es darum geht, eine angenehme Umgebung zu schaffen, selbst unter ungünstigeren Umgebungsbedingungen.



6 x THS2400AEU



2 x THS2400AEU





Leitfaden für die Produktwahl

Allgemeine Empfehlungen für HEATSTRIP Indoor

- Ideale Befestigungshöhe: 2,3 m bis 2,7m. Die Obergrenze ist 3m in einer geschützten Umgebung im Freien.
- Ideale Befestigungsstelle: Deckenbefestigung, direkt über dem zu beheizenden Bereich (z. B. über einem Tisch)

In der nachfolgenden Tabelle wird die Wärmeabstrahlung vom Heatstrip Indoor (in m²) mit direkter Überkopf-Montage aufgezeigt, und zwar auf der Grundlage von 2 verschiedenen Situationen. In einem geschützten Innenbereich zum Beispiel, reicht das Modell THS12000EU für 8 m² und das Modell THS2400EU für 16 m².

MODEL	INDOOR INSULATED (m ²)	INDOOR PROTECTED (m ²)
THS1200AEU	12	8
THS2400AEU	24	16

Das oben genannte ist nur zur Orientierung und kann je nach Standort und Bedingungen variieren.

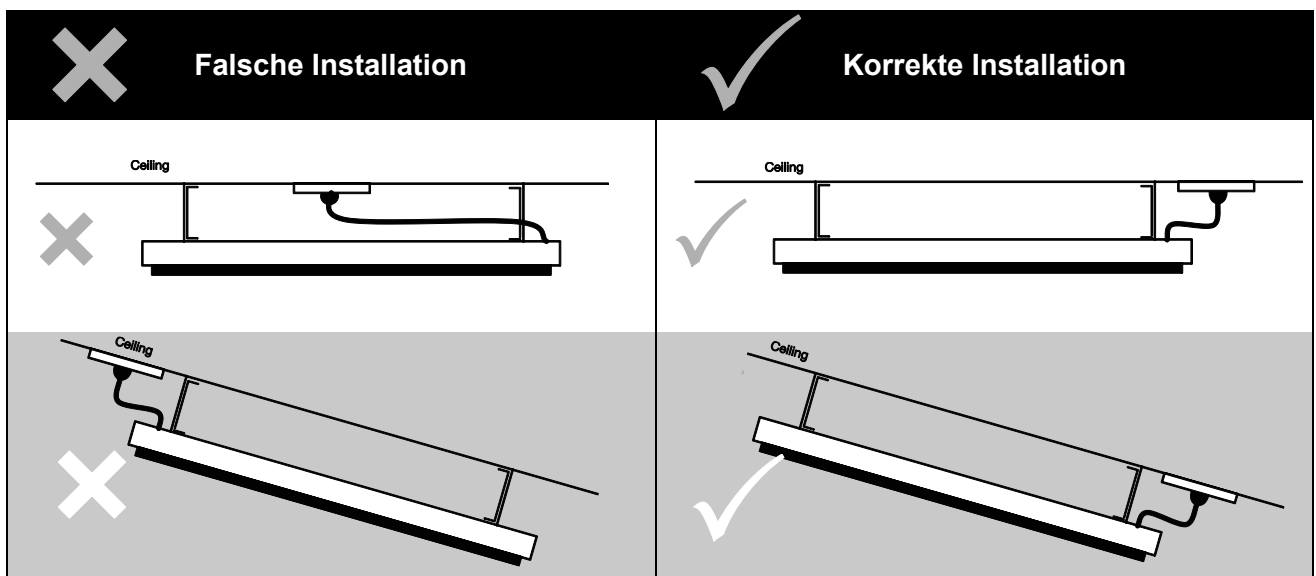




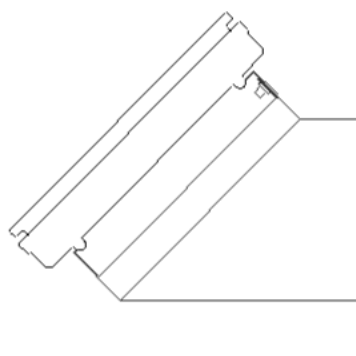
Anforderungen bei der Installation

Die ideale Anbringungsposition des HEATSTRIP Indoor ist an der Decke direkt über dem zu erwärmenden Bereich. Sollte dies nicht möglich sein, kann der HEATSTRIP Indoor an einer Wand in einem abwärts geneigten Winkel angebracht werden. In einer solchen Situation ist darauf zu achten, dass die Befestigungshöhe zwischen 2,1 und 3,0m liegt.

- Bei einer Anbringungshöhe über 3,0 m wird empfohlen, das als Option erhältliche Zubehör zu verwenden, damit der Heizstrahler doch in einer Höhe zwischen 2,3 bis 3,0m hängt, sodass der HEATSTRIP einen optimalen Wirkungsgrad bringt. Im Abschnitt Zubehör für die Befestigung finden sich weitere Informationen.
- Die elektrischen bzw. allgemeinen Stromanschlüsse dürfen sich nicht an der Rückseite des Heizstrahlers befinden. Sie sollten sich außerhalb des tatsächlichen Wirkungsbereichs eines Geräts befinden, damit sich möglichst wenig Hitze hinter den Geräten staut.
- Soll der Heizstrahler an einer geneigten Fläche montiert werden (z. B. gewölbte Decke), ist sicherzustellen, dass sich der elektrische Anschluss am tiefsten Punkt des Heizstrahlers befindet.



CEILING

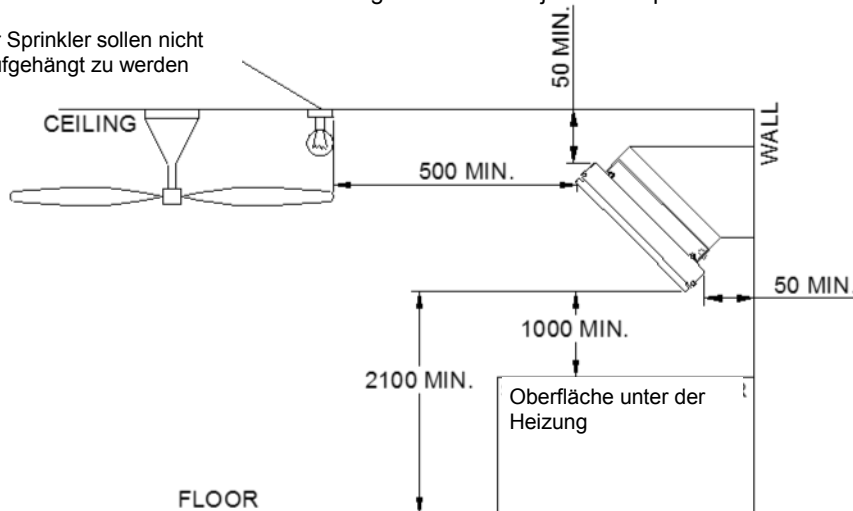


Die Heizfläche darf niemals zur Decke gerichtet werden



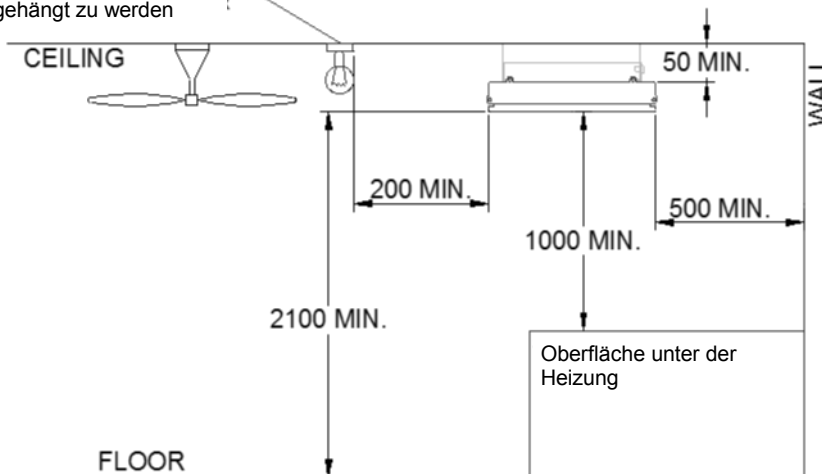
Befestigungsort — Auf den nachstehenden Abbildungen werden die jeweils empfohlenen Mindestabstände gezeigt.

Lampe, Ventilator oder Sprinkler sollen nicht unter dem Heatstrip aufgehängt zu werden



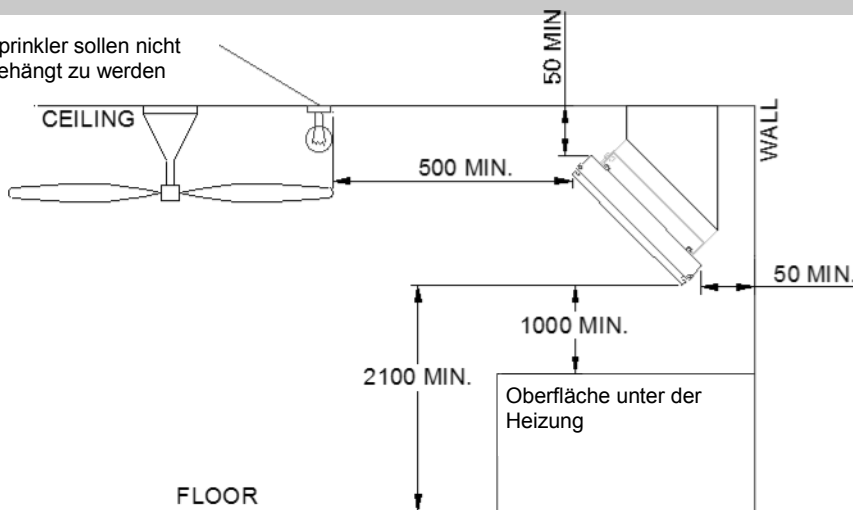
Angled Wall Installation

Lampe, Ventilator oder Sprinkler sollen nicht unter dem Heatstrip aufgehängt zu werden



Ceiling Installation

Lampe, Ventilator oder Sprinkler sollen nicht unter dem Heatstrip aufgehängt zu werden



Angled

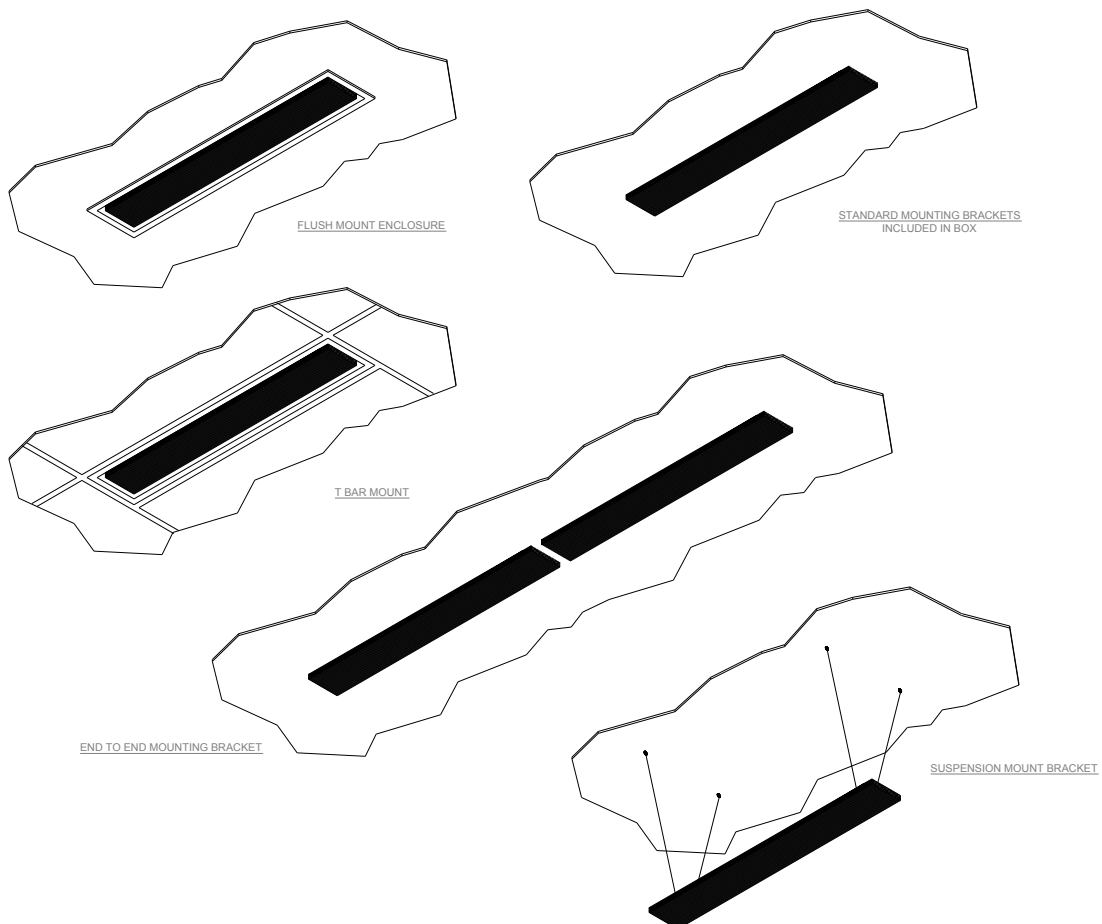
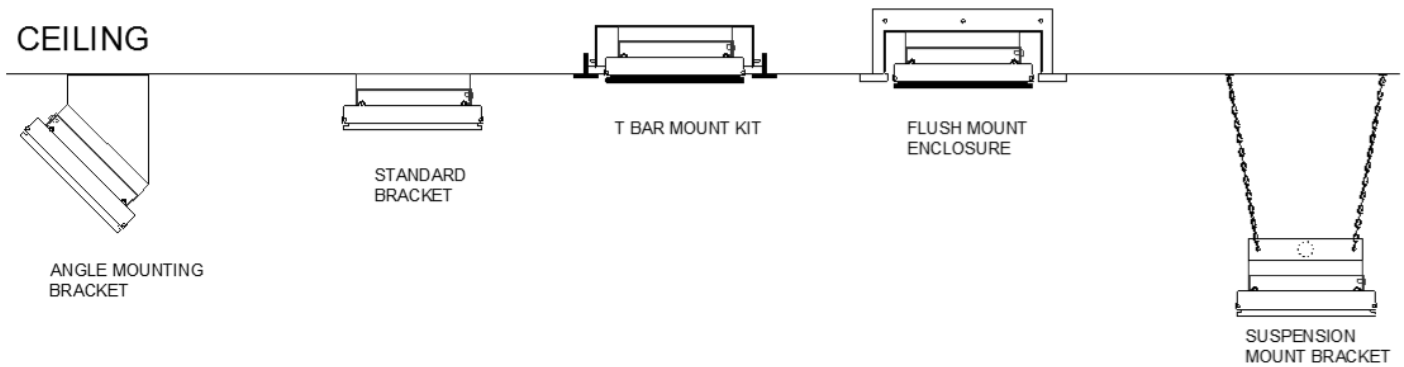


Möglichkeiten zur Befestigung

Mit den im Lieferumfang enthaltenen standardmäßigen Befestigungsbügeln verläuft die Anbringung des HEATSTRIP Indoor schnell und einfach. Für andere, nicht ganz optimale Stellen sind viele verschiedene Zubehörteile erhältlich (siehe bitte auch die nachstehenden Abbildungen).

Die HEATSTRIP Indoor-Modelle können direkt an der Decke oder nach unten abgewinkelt an einer Wand montiert werden, deckenbündig eingebaut werden; an Ketten aufgehängt oder aneinandergereiht oder in 2 Geräten zusammen montiert werden. Weitere Informationen und Details zu jeder Montagemöglichkeit sind den nachfolgenden Seiten zu entnehmen.

CEILING





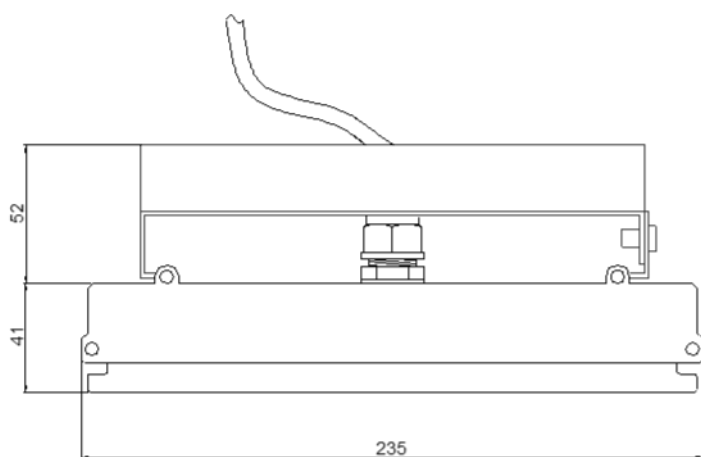
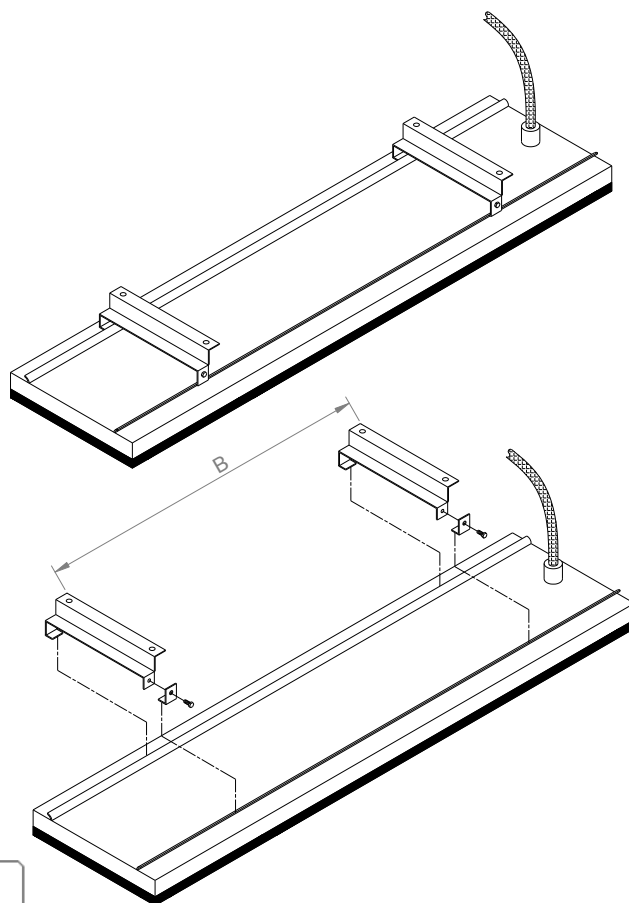
Standardmäßige Montagebügel

Im Lieferumfang des HEATSTRIP Indoor ist ein Paar Standard-Montagebügel enthalten. Diese einstellbaren Bügel ermöglichen die direkte Wand- oder Deckenmontage.

Die Klammern müssen auf einen sicheren Rahmen oder Decke mit einem Mindestabstand zwischen den beiden Halterungen angebracht werden. Der Mindestabstand ("B") ist für jedes Modell in der nachstehenden Tabelle aufgeführt.

Wenn Sie die Installation beendet haben, schauen Sie, dass alle Schrauben fest angezogen und die Einheit sicher ist.

MODEL	"B" MINIMUM DISTANCE (mm)
THS1200AEU	500
THS2400AEU	1000



Standard Mounting Bracket

PART No	PACKAGED DIMENSIONS (mm)	WEIGHT (kg)	MATERIALS
ZBRAK-92	200 x 50 x 50	0.5	MILD STEEL POWDER-COATED WHITE

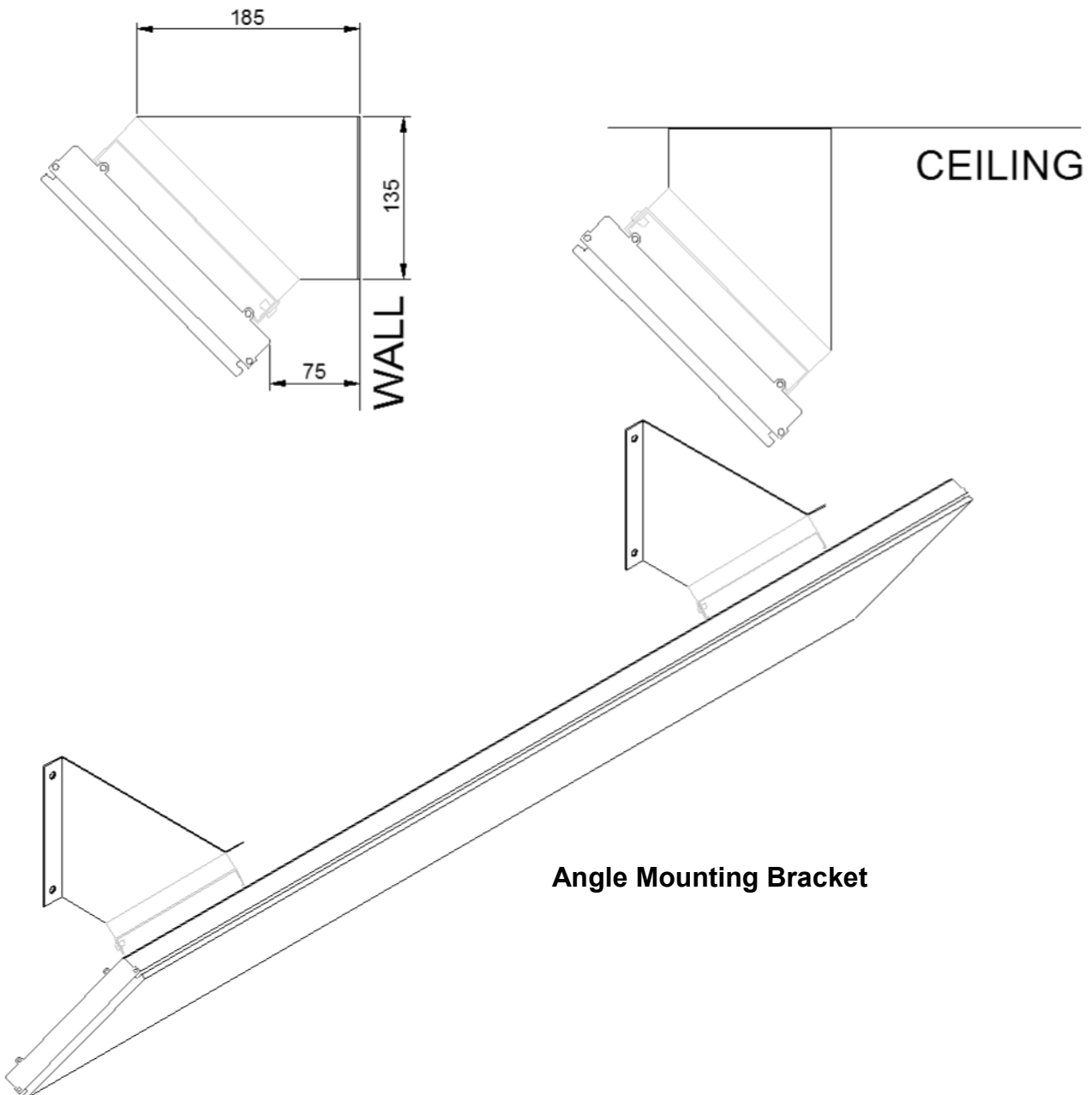


Winkelmontagebügel

Der HEATSTRIP Indoor verfügt optional über Montagewinkel. Diese Halter können an die Decke oder der Wand angebracht werden, um die effektive Wärme näher zu bringen, wo sie gebraucht wird.

Der Winkel der Halterung auf 45° Grad voreingestellt.

Gehen Sie bei der Installation sicher, dass die Mindestabstände beachtet werden. Schrauben sind nicht vorgesehen



Angle Mounting Bracket

PART No.	PACKAGED DIMENSIONS (mm)	WEIGHT (kg)	MATERIALS
THSAC-020	200 x 200 x 50	0.5	MILD STEEL POWDER-COATED WHITE

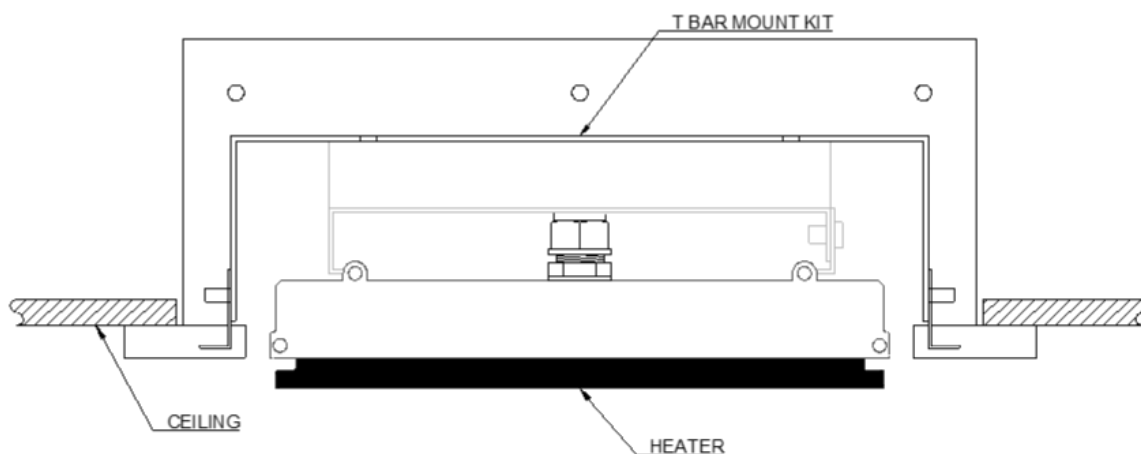
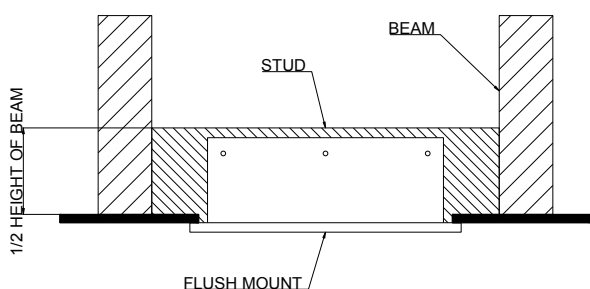
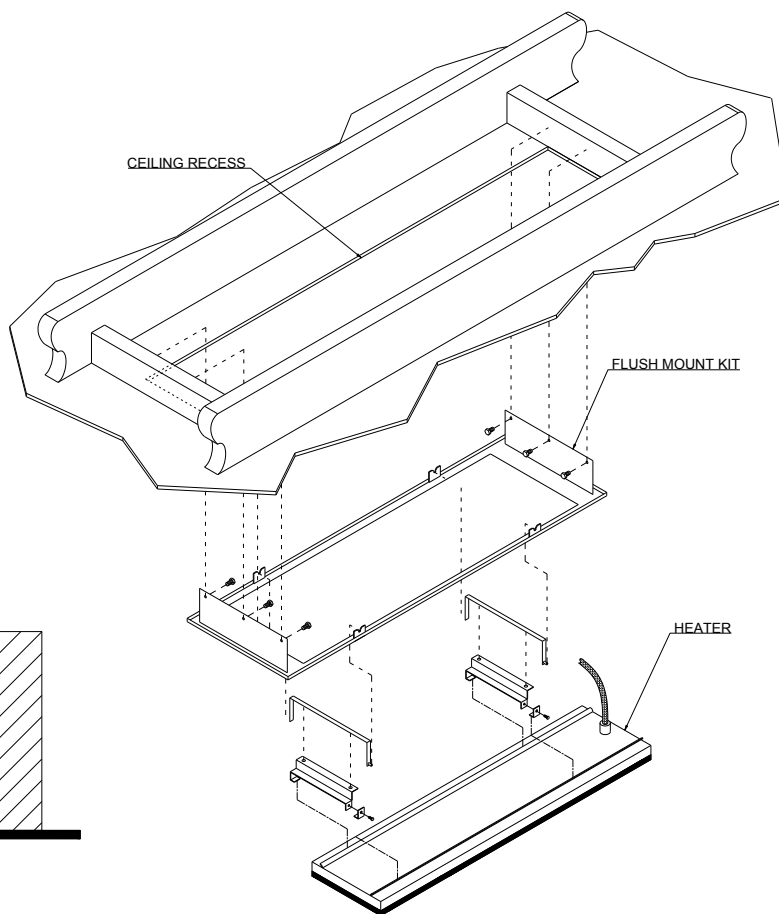


Einbaugehäuse

The Flush Mount Enclosure is an ideal way to neatly install the Heatstrip Indoor into a ceiling. They are available for all Heatstrip Indoor models, and are supplied as a one-piece unit for mounting of heaters. Flush mounting can be used with plaster or wood lined ceiling materials.

An ideal mounting height is 2.1-2.7m. Maximum mounting heights should be strictly followed, otherwise the performance of the units may be reduced.

The fascia is made from white powdercoated mild steel.



SUITABLE FOR MODELS	PART No	HOLE CUTOUT DIMENSIONS (mm)	OVERALL DIMENSIONS (mm)	WEIGHT (kg)
THS1200AEU	THSAC-026	1020 x 325	1040 x 345 x 100	4
THS2400AEU	THSAC-028	1930 x 325	1950 x 345 x 100	5

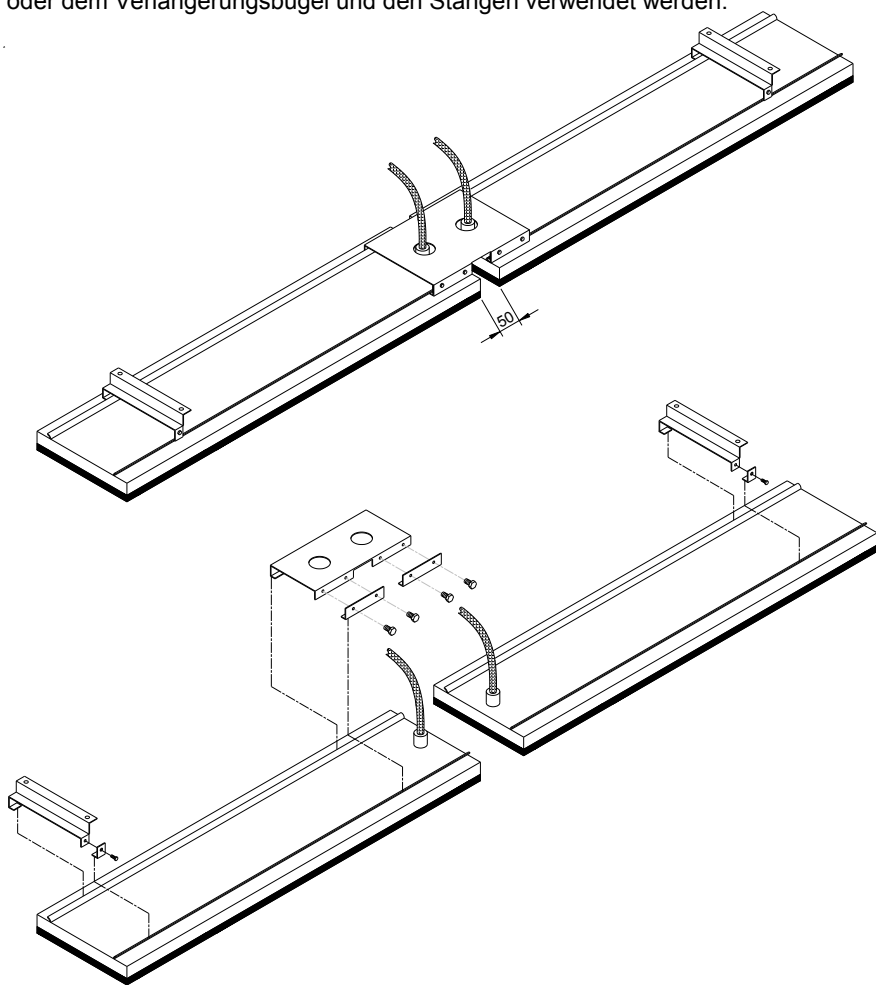


Ganzseitige Montagebügel

Mit dem ganzseitigen Bügel ist es möglich, mehrere Geräte in einer geraden Linie miteinander zu verbinden, sodass eine maximale Hitzeleistung bei einem ansprechenden Äußeren gewährleistet ist. Das empfiehlt sich besonders für Bereiche mit langen Tischen, aber auch für Fertigungsstraßen, bei denen eine gleichbleibende Hitzeentwicklung benötigt wird.

Mit dem Bügel ist eine 50 mm große Lücke zwischen den Geräten als Zugang für den Stromanschluss möglich. Wie auf der nachstehenden Abbildung gezeigt wird, müssen die Geräte mit einander zugewandten Stromzufuhren angeschlossen werden.

Der ganzseitige Montagebügel kann entweder zusammen mit dem standardmäßigen Montagebügel für die Decken-/Wandbefestigung oder dem Verlängerungsbügel und den Stangen verwendet werden.



PART No	PACKAGED DIMENSIONS (mm)	WEIGHT (kg)	MATERIALS
THSAC-029	260x200x30	1	MILD STEEL POWDER-COATED WHITE



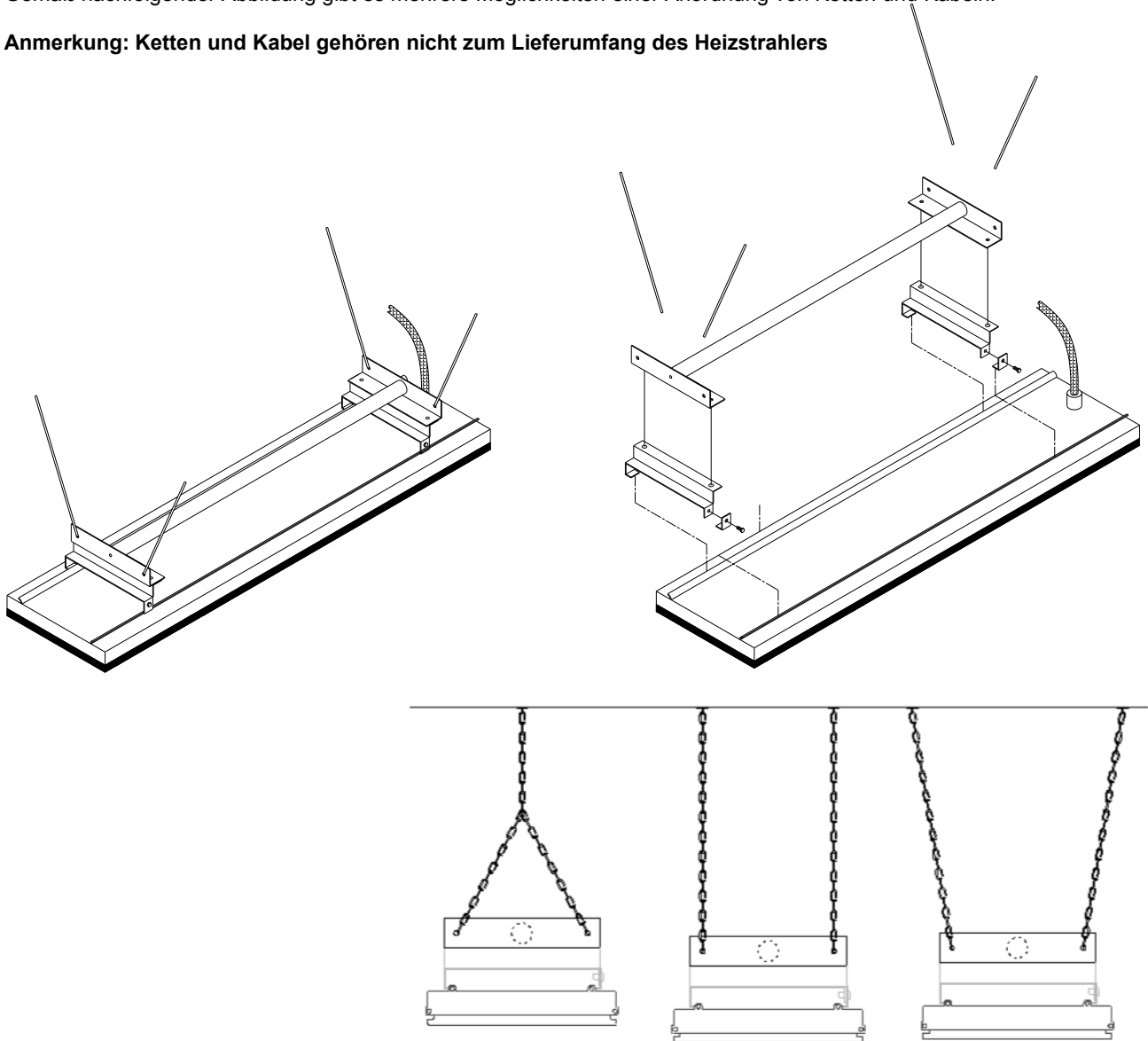
Deckenhalter

Der Deckenhalter ist eine kostengünstige, einfache und effektive Möglichkeit, das HEATSTRIP Indoor-Modell von hohen Decken abzusenken. Beträgt die Deckenhöhe eines eingefassten Außenbereichs mehr als 2,7 m an einem exponierten Standort, ist es empfehlenswert, den Heizstrahler auf eine ideale Befestigungshöhe von 2,1 – 2,7 m abzusenken.

Der Deckenhalter ist für die Verwendung mit Ketten oder Kabeln geeignet.

Gemäß nachfolgender Abbildung gibt es mehrere Möglichkeiten einer Anordnung von Ketten und Kabeln.

Anmerkung: Ketten und Kabel gehören nicht zum Lieferumfang des Heizstrahlers



SUITABLE FOR MODELS	PART No	PACKAGED DIMENSIONS (mm)	WEIGHT (kg)	MATERIALS
THS1200AEU	THSAC-021	650 x 200 x 50	2	MILD STEEL POWDERCOAT WHITE
THS2400AEU	THSAC-022	1350 x 200 x 50	2	MILD STEEL POWDERCOAT WHITE



T-Bar Einbaurahmen-Montage

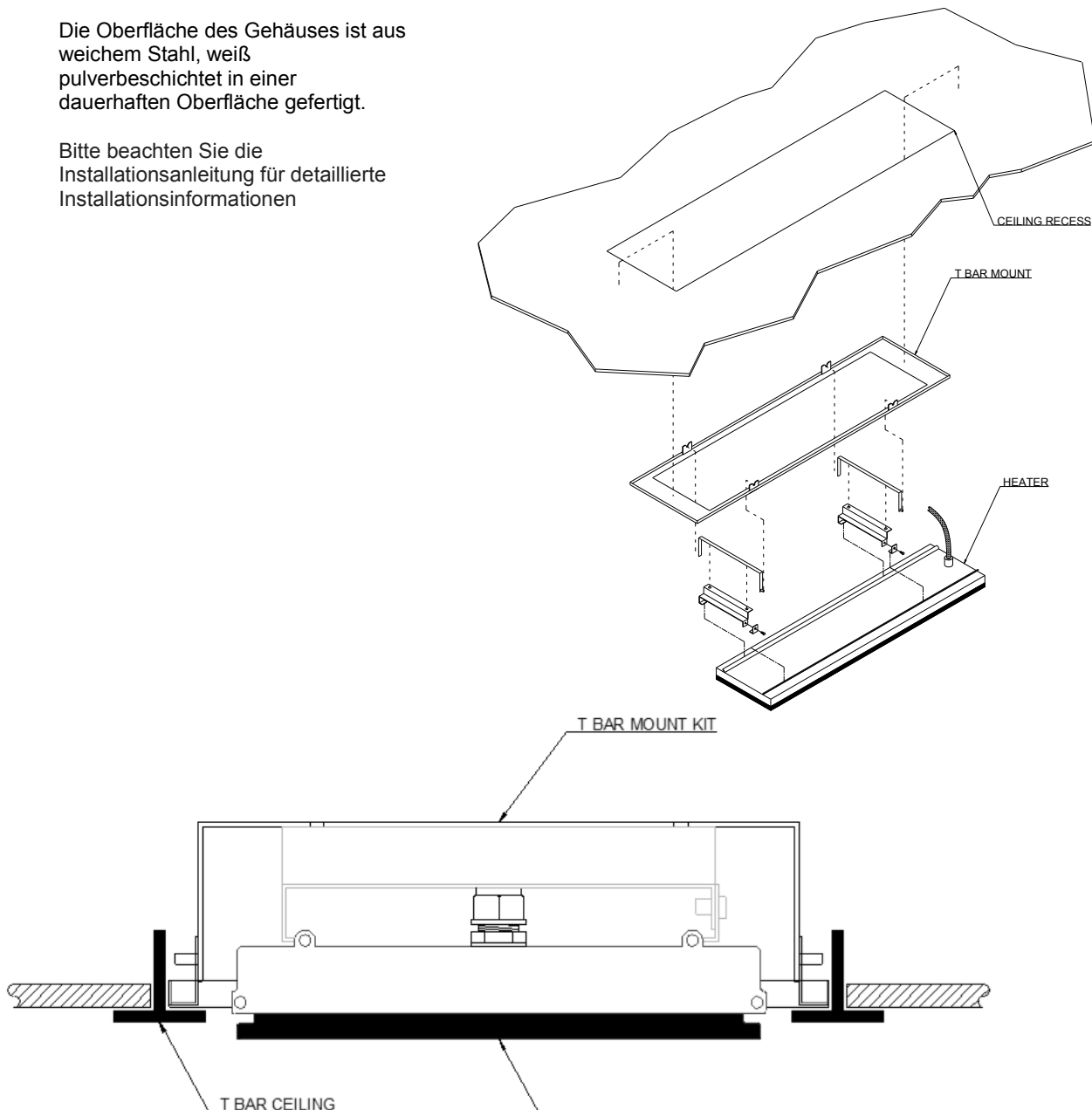
Der T-Bar Einbaurahmen ist so konzipiert, daß halbe Fliesen in einen Standard-1200 x 600 mm Einbau-Deckenraster passen.

Die ideale Montagehöhe liegt bei 2,1 m-2,4 m, mit einer maximalen Raumhöhe von 2,7 m in einer Indoor geschlossenen Umgebung.

Maximale Montagehöhen sollten unbedingt eingehalten werden, da sonst die Leistung der Geräte reduziert werden.

Die Oberfläche des Gehäuses ist aus weichem Stahl, weiß pulverbeschichtet in einer dauerhaften Oberfläche gefertigt.

Bitte beachten Sie die Installationsanleitung für detaillierte Installationsinformationen



SUITABLE FOR MODELS	PART No	HOLE CUTOUT DIMENSIONS (mm)	OVERALL DIMENSIONS (mm)	WEIGHT (kg)
THS800AEU	THSAC-023	1080 x 280	1090 x 290 x 100	4
THS1200AEU	THSAC-024	1080 x 280	1090 x 290 x 100	4



Regler für Wandeinbau mit Fernbedienung

Bei diesem Gerät handelt es sich um einen speziell für HEATSTRIP entwickelten und produzierten Regler. Er ermöglicht Ihnen auf einfache Weise Ihre Heizstrahler sparsam und kostengünstig zu nutzen. Er verfügt über einen Timer für den automatischen Betrieb des Heizstrahlers.

Die Timer-Funktion kennt vier Einstellungen. Der Heizstrahler kann damit für 1 Stunde, 2 Stunden, 4 Stunden oder permanent eingeschaltet werden.

Der Timer kann an der montierten Einheit selbst oder über die Fernbedienung gesteuert werden. Er kann auf einständigen, zweistündigen, vierständigen oder permanenten Betrieb des Heizstrahlers eingestellt werden. Die Fernbedienung hat eine Reichweite von zehn Metern, wobei sie sich in Sichtverbindung zur Wandeinheit befinden muss.



Bedienung mehrerer Heizstrahler-Einheiten

Es ist möglich, einen Regler zur Bedienung mehrerer Heizstrahler zu verwenden, bis zu einer Stromlast von maximal 16 Ampere. Das Gerät ist für 16 A und 220-240 Volt ausgelegt. Bei Bedarf einer höheren Stromaufnahme lassen Sie sich bitte von Ihrem Elektriker beraten. Er kann über ein Relais weitere Einheiten anschließen.

Montage

Der TT-MTR passt in eine gewöhnliche Aufputz-Anschlussdose. Auch Unterputz-Einbau ist möglich. Der Elektroanschluss muss von einer qualifizierten Fachkraft konform der örtlichen Richtlinien vorgenommen werden.

Bedienung

Betätigen Sie die ON/OFF-Taste, um das Gerät ein- und auszuschalten.

Betätigen Sie die TIMER-Taste, um den Timer auf 1-, 2- oder 4-Stunden Betrieb einzustellen. Die Anzeige-LED gibt wieder, welche Zeitauswahl vorgenommen wurde. Der Timer aktiviert den Heizstrahler und schaltet ihn nach der voreingestellten Zeit automatisch aus.

Sicherheit

Der TT-MTR-Regler muss an einem trockenen Ort installiert werden. Er darf nicht an einer Stelle montiert werden, an der er Wassereinfluss oder Regen ausgesetzt ist.

Überzeugen Sie sich, dass sämtliche Anschlüsse korrekt vorgenommen wurden.

Dieses Gerät ist nicht für die Verwendung durch Personen vorgesehen (Kinder eingeschlossen), die verminderte körperliche, sensorielle oder geistige Fähigkeiten haben oder nicht über ausreichende Erfahrung und Kenntnisse verfügen, außer sie haben von einer Person, die für ihre Sicherheit verantwortlich ist, Anweisungen für den Gebrauch des Geräts erhalten oder werden von dieser beaufsichtigt. Es muss darauf geachtet werden, dass Kinder nicht mit dem Gerät spielen.

Wartung

Der TT-MTR-Regler wurde für eine lange Lebensdauer konstruiert. Die folgenden Pflege- und Nutzungstipps sind dazu ebenfalls hilfreich.

Es wird empfohlen, Staub auf dem Gerät regelmäßig zu entfernen, um die Anzeige sauber zu halten. Eine gründliche Reinigung, wenigstens alle drei Monate, verhindert Anhäufung von Verunreinigungen und gewährleistet gute Funktion und optisch guten Zustand des Geräts.

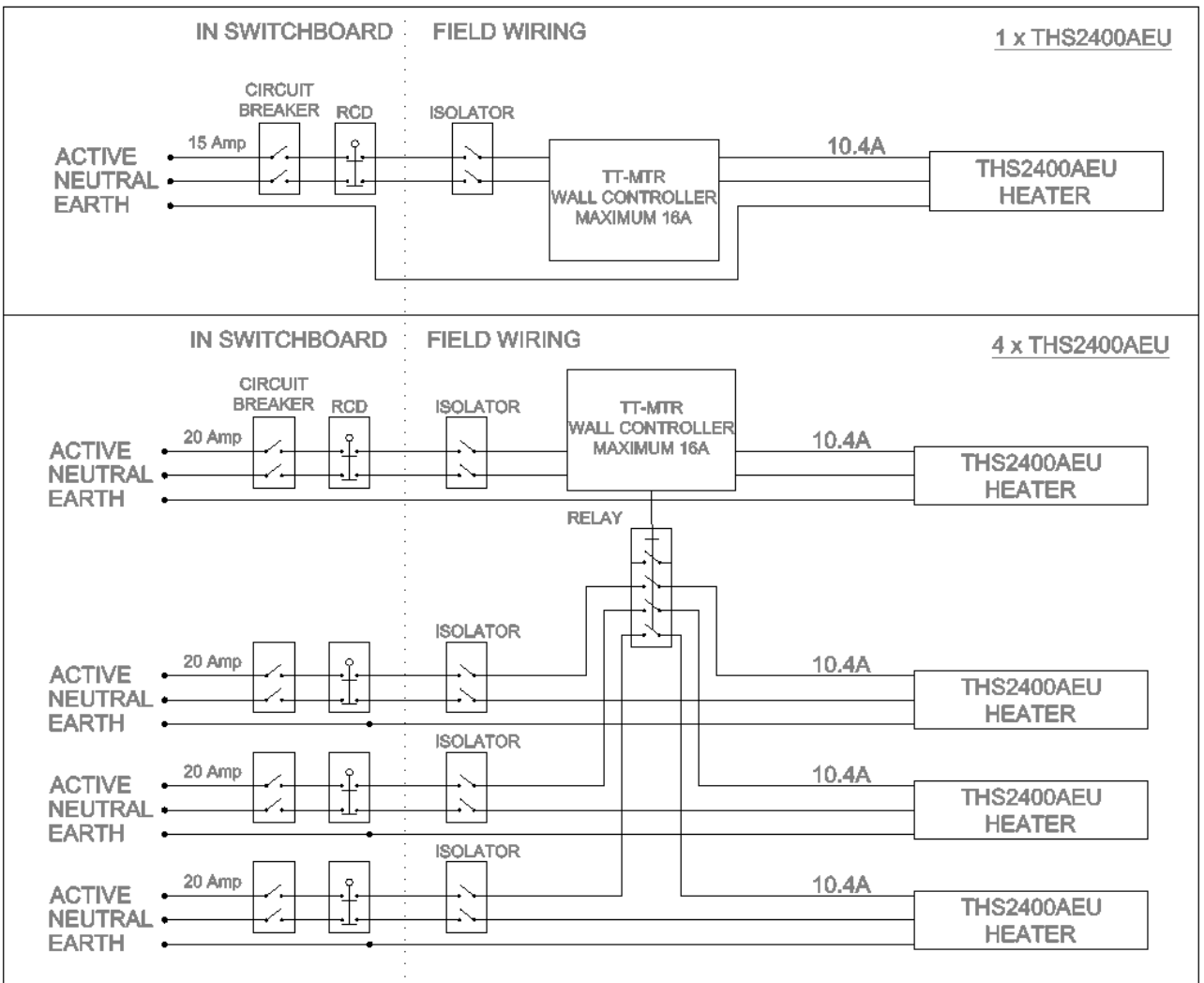
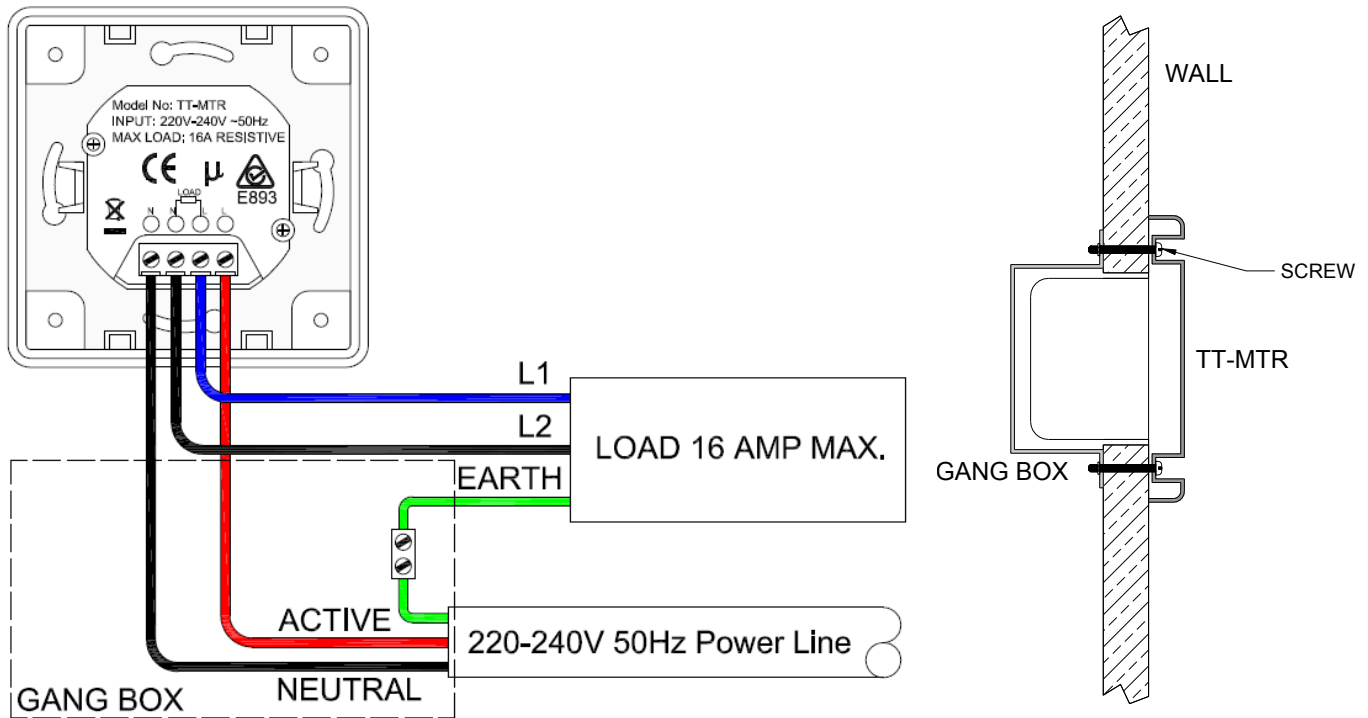
Verwenden Sie keine scheuernden Materialien oder Putzmittel, um das Gerät zu reinigen. Ebenfalls keine Reinigungssubstanzen auf Lösungsmittel- oder Zitrusbasis oder andere aggressive Reinigungsprodukte. Verwenden Sie zur Reinigung des Geräts kein Wasser oder ein feuchtes Tuch.

Wenn Sie den Regler benutzen, sollten Sie darauf achten, dass Ihre Hände sauber sind oder dass Sie entsprechende Handschuhe tragen, um Verunreinigungen auf dem Bedienungsfeld des Geräts zu vermeiden

MODEL	MAXIMUM VOLTAGE (Volts)	MAXIMUM CURRENT (Amps)	PACKAGED DIMENSIONS (mm)	WEIGHT (kg)
TT-MTR	220—240	16	80 x 80 x 42	0.5



Installation Regler für Wandeinbau





Sicherheit

HEATSTRIP Design wurde der IP-Klasse 45 zugeordnet, d. h., dass das Gerät für eine Wassereindringung von allen Seiten geeignet ist. Der HEATSTRIP Design kann unbedenklich abgespült werden. Der HEATSTRIP wurde umfassenden Prüfungen unter Laborbedingungen unterzogen: im Werk von Thermofilm in Melbourne und bei Feldversuchen in Australien, Europa und im Ausland. Durch diese umfassenden Prüfungen kann sich der Käufer darauf verlassen, dass ihm ein hochwertiges Produkt zur Verfügung steht.

In Tests bei unabhängigen Labors wurde bestätigt, dass den australischen und anderen internationalen Normen vollständig entspricht werden. Diese umfassen CE, AS/ANZ, UL/CSE.

Der HEATSTRIP ist ein Gerät der Klasse 1, das geerdet werden muss.

Während des Betriebs ist der Heizstrahler SEHR HEISS; berühren Sie deshalb bei der Verwendung keine Teile des Geräts. Das Gerät darf erst wieder 30 Minuten nach dem Abschalten berührt werden.

Dieses Gerät ist nicht für die Verwendung durch Personen (einschließlich Kinder) mit eingeschränkten körperlichen, sensorischen oder geistigen Eigenschaften oder mit einem Mangel an Wissen oder Erfahrung geeignet, es sei denn, dass sie von einer Person, die für ihre Sicherheit verantwortlich ist, eine Einweisung zur Verwendung des Geräts erhalten hat, oder diese Person ihr Handeln beaufsichtigt. Kinder müssen immer beaufsichtigt werden, damit gewährleistet ist, dass sie nicht mit dem Gerät spielen.

Kabel, Einrichtungsgegenstände, Möbel, entzündliche Gegenstände oder andere Objekte dürfen nicht in Kontakt mit einer Oberfläche des Heizstrahlers kommen.

Bei einer Installation in einer feuchten Umgebung müssen Schalter und Regler des Heizstrahlers so angebracht werden, dass sie nicht von Personen in der Dusche oder Wanne bedient werden können. Der Heizstrahler muss gemäß den Installationshinweisen angebracht werden; dabei ist den Mindestabständen besondere Aufmerksamkeit zu widmen.

Der Heizstrahler muss an einer festen Halterung oder einem festen Bügel angebracht werden.

Der Heizstrahler darf nicht direkt über oder vor einem Stromanschluss angebracht werden.

Bei einer Störung des Heizstrahlers oder einem defekten Stromkabel muss das Gerät zum Verkäufer zurückgebracht werden, sodass es Cook & Heat B.V. zur Reparatur eingeschickt werden kann.

Instandhaltung

Der HEATSTRIP Design besteht aus soliden Materialien, aber dennoch führen eine regelmäßige Pflege und Instandhaltung Ihres Heizstrahlers zu einer längeren Lebensdauer des Geräts.

Es wird empfohlen, den Heizstrahler abzuspritzen und die Oberflächen mit einem feuchten Tuch und einem milden Reinigungsmittel vorsichtig abzureiben, um die aus der Umgebung stammenden Verunreinigungen zu entfernen. Danach müssen alle Reinigungsmittel vom Heizgerät abgespült werden. Sämtliche Chemikalien aus der Umgebung (wie Zigarettenrauch und Abgase) führen zu Verfärbungen der Geräteoberfläche. In diesem Fall sind eine zusätzliche Reinigung und Wartung erforderlich. Wenn das Gerät mindestens alle drei Monate gereinigt wird, kommt es zu weniger Ablagerungen und behält es ein optimales Aussehen. Sollte der Heizstrahler in einer korrosiven Umgebung (z. B. am Meer) stehen, wird empfohlen, das Gerät jede Woche mit klarem Wasser abzusprühen. Stellen Sie den Heizstrahler nach der Reinigung für 20 Minuten ein, damit Wasserreste trocknen und sich keine Flecken bilden. Der Heizstrahler muss vor der Reinigung und Inspektion ausgeschaltet werden und vollständig abgekühlt sein. Benutzen Sie keine scheuernden Mittel oder Produkte zur Reinigung des Heizstrahlers (dies umfasst Lösungsmittel, Reinigungsmittel auf Zitronenbasis oder andere scharfen Reinigungsprodukte).

Achten Sie auf saubere Hände beim Umgang mit dem Heizstrahler oder tragen Sie saubere Handschuhe, weil Schmutz zu Verunreinigungen auf dem Gerät führen kann. Benutzen Sie zum Säubern keinen Hochdruckreiniger, sondern spritzen Sie das Gerät nur leicht ab.



Garantiebedingungen und -bestimmungen

Cook & Heat B.V. garantiert dem Originaleigentümer, dass die Produkte HEATSTRIP Design für einen Zeitraum von 24 Monaten ab dem Zeitpunkt des Ankaufs weder Mängel am Material noch Mängel bei der Verarbeitung aufweisen; diesbezüglich finden die nachstehenden Garantiebedingungen und -bestimmungen Anwendung.

Für einen Garantieanspruch muss den folgenden Auflagen entsprochen werden: Der HEATSTRIP muss entsprechend den Installationshinweisen und den geltenden elektrischen Vorgaben und Bestimmungen installiert werden.

- Der HEATSTRIP muss entsprechend den im Installationshandbuch dargelegten Hinweisen instand gehalten und gereinigt werden.
- In Hinsicht auf den Leistungsbedarf werden weder direkt noch indirekt Garantien gegeben. Die Wahl des Geräts bzw. der Geräte hängt völlig von der Systemauslegung und den Leistungen ab, wie diese vom Käufer bestimmt wurden.
- Der Kunde hat das Gerät weder repariert, geöffnet noch auf eine andere nicht gestattete Weise geändert.
- In dieser Garantie werden Schäden am Produkt oder den Einzelteilen ausgeschlossen, die auf Faktoren zurückzuführen sind, auf die Cook & Heat B.V. keinen Einfluss hat, dies ein- aber nicht ausschließlich zweckentfremdete Verwendung, Veränderungen am Produkt, unsachgemäße Installation, unrichtige Stromversorgung, Beschädigungen bei der Lieferung, unrichtige Anwendung, Missbrauch, fehlerhafte Nutzung, Vandalismus, mangelhafte Instandhaltung oder Unfälle.
- Die Verpflichtungen von Cook & Heat B.V. beschränken sich auf eine Reparatur oder einen Austausch derjenigen Produktteile, die nach dem Ermessen von Cook & Heat B.V. defekt sind.
- Der Kunde kommt allein für die im Rahmen der Rücksendung des Produktes an das Werk von Cook & Heat B.V. (oder einen anderen schriftlich von Cook & Heat B.V. bezeichneten Ort) anfallenden Transportkosten auf.
- Sämtliche Produkte werden vor dem Versand geprüft und inspiziert, und unterliegen nach dem Transport von Cook & Heat B.V. dem Risiko des Käufers, es sei denn, dass sie von Cook & Heat B.V. bis an den Zielort gebracht werden.
- Im Laufe der Zeit kann es zu Verfärbungen der Oberfläche kommen, die keinen Anspruch auf Garantieleistungen darstellen.
- Es kann zu einem Verformen oder Verbiegen des Heizstrahlers kommen, ohne dass dadurch ein Garantieanspruch entsteht.
- Weder Produkte noch Einzelteile werden vor einer Prüfung des fehlerhaften Produkts oder der Einzelteile seitens Cook & Heat B.V. oder eines befugten Vertreters von Cook & Heat B.V. bereitgestellt.
- Cook & Heat B.V. übernimmt keine vor Ort anfallenden (Arbeits-)Kosten im Rahmen des Austauschs von Teilen, einer Reparatur, Demontage, Installation, Instandhaltung, des Transports oder der Handhabung von Teilen für ganze Produkte und haftet ferner nicht für Teile, die ohne ein schriftliches Einverständnis repariert oder ersetzt wurden. Cook & Heat B.V. übernimmt keine Haftung für Ausfälle oder Verzögerungen bei der Einhaltung ihrer Garantieverpflichtungen, die auf Faktoren zurückzuführen sind, die außerhalb ihrer Einflussnahme liegen; dies umfasst ein- aber nicht ausschließlich rechtliche oder staatliche Einschränkungen, Streiks, Brand, Hochwasser, extreme Witterungsbedingungen und eine verzögerte Lieferung von Einzelteilen.

Sollte sich bei der Ankunft herausstellen, dass Produkte defekt sind, ist die Transportfirma umgehend über den Zustand in Kenntnis zu setzen, der außerdem auf den Frachtpapieren festgehalten wird. Sollten sich Beschädigungen erst nach dem Auspacken herausstellen, ist eine sofortige Inspektion seitens der Transportfirma zu verlangen, und haben die Beschädigungen auf den Frachtpapieren deutlich angeführt zu werden.

Der Kunde gewährleistet, das Produkt unter Beachtung der folgenden Bestimmungen zu verwenden:

- Die von Cook & Heat B.V. im gewissen Abständen bereitgestellten Informationen werden beachtet.
- Sämtliche staatlichen und vor Ort geltenden Bestimmungen werden beachtet, dies ein- aber nicht ausschließlich der geltenden elektrischen Auflagen, Umweltgesetze sowie der Bestimmungen zur Installation, Lagerung, Verwendung, Handhabung und Wartung der Produkte.
- Sämtliche erforderlichen und angemessenen Vorsichts- und Sicherheitsmaßnahmen in Bezug auf die Installation, Lagerung, Verwendung, Handhabung und Wartung der Produkte werden beachtet.

VERTRIEBEN VON:

Cook & Heat B.V.
www.heatstrip.eu

HERGESTELLT VON:

Thermofilm Australia Pty Ltd
17 Johnston Court
Dandenong South,
Victoria, 3175 Australia